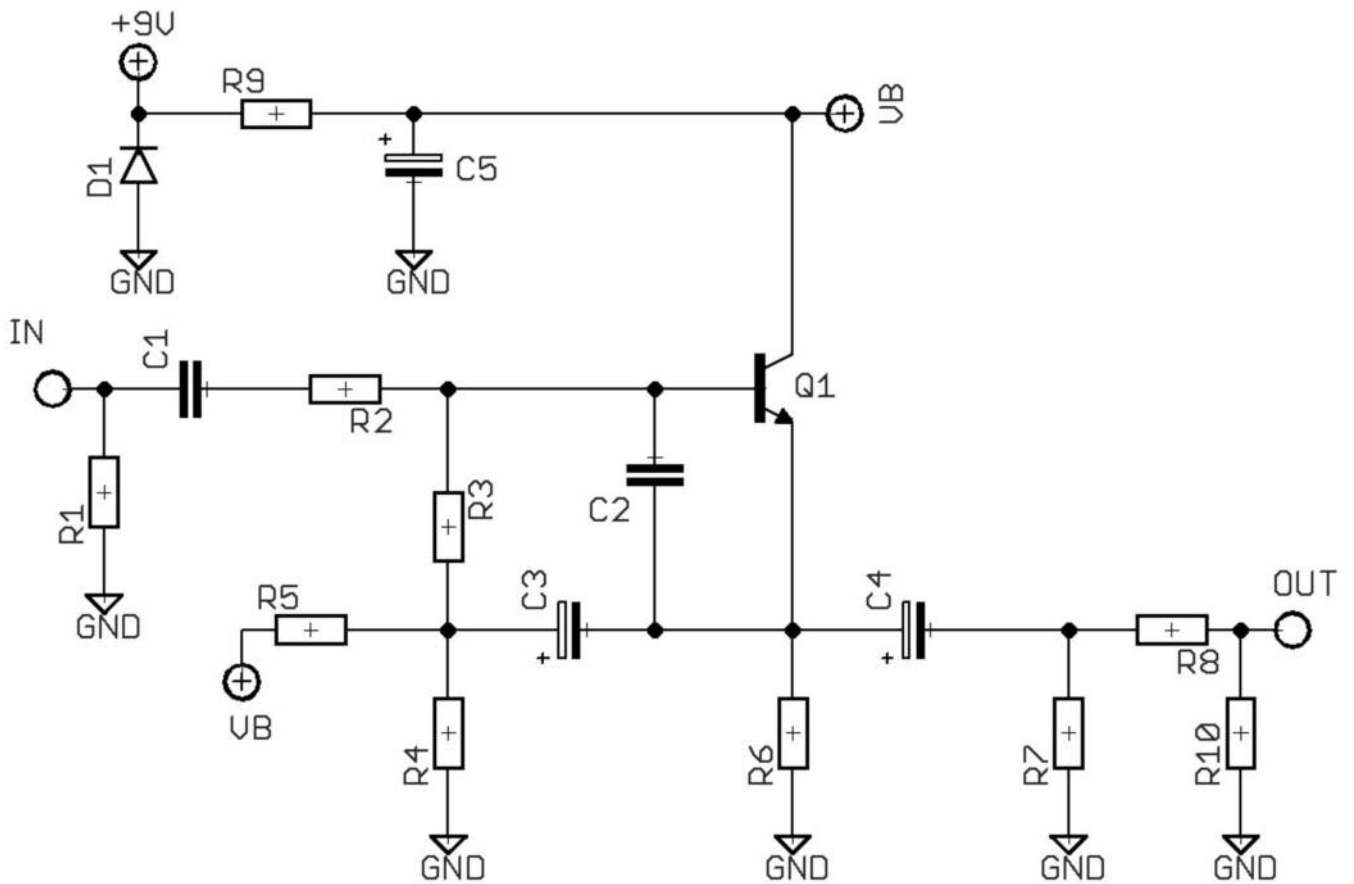


Cream Buff

Invigorate your signal

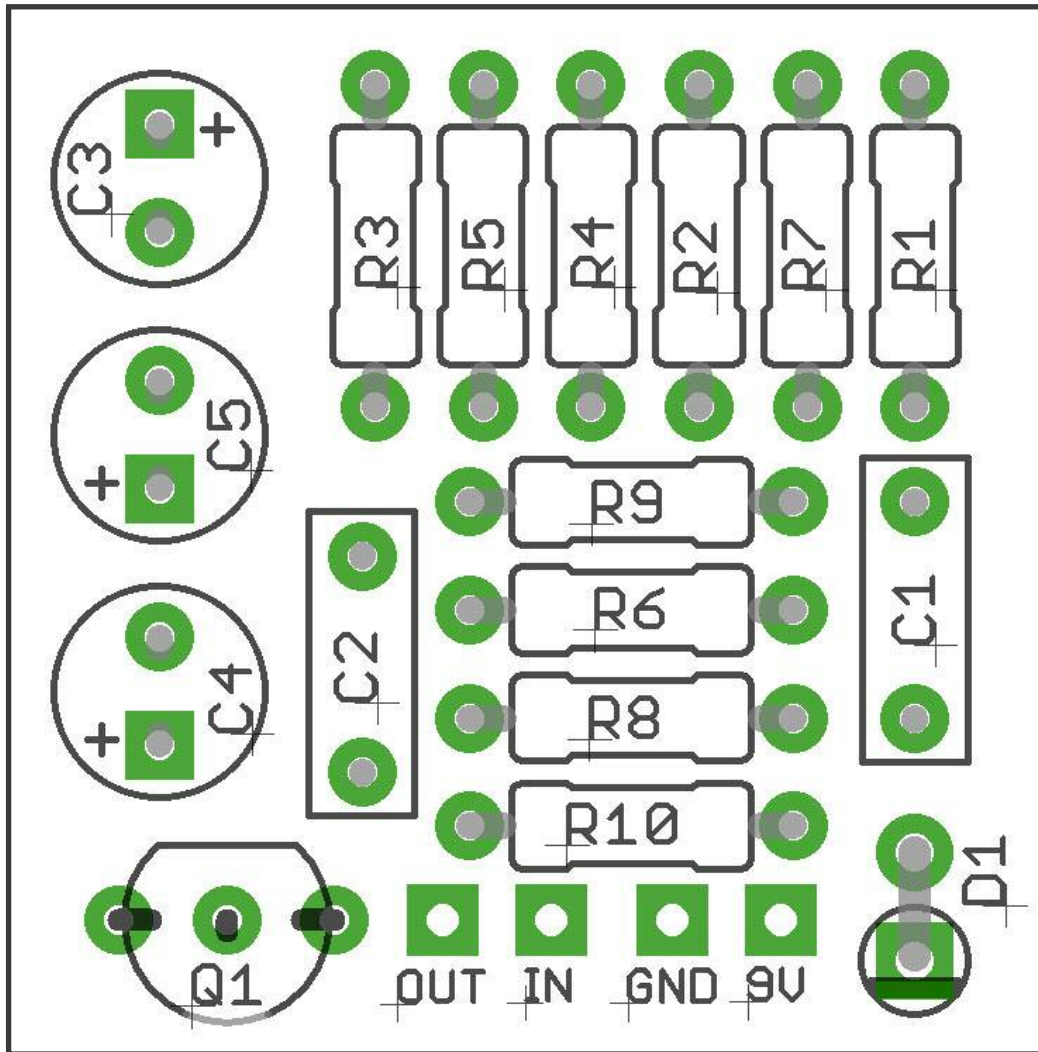
PedalParts.co.uk

Schematic



BOM

R1	10M	C1	100n
R2	1K	C2	1n
R3	120K	C3	4u7
R4	200K	C4	22u
R5	120K	C5	100u
R6	7K5	D1	1N4001
R7	20K	IC	BC549
R8	51R		
R9	100R		
R10	50K		



Recommended assembly order:
Resistors, Caps, Diode, Transistor, Wires

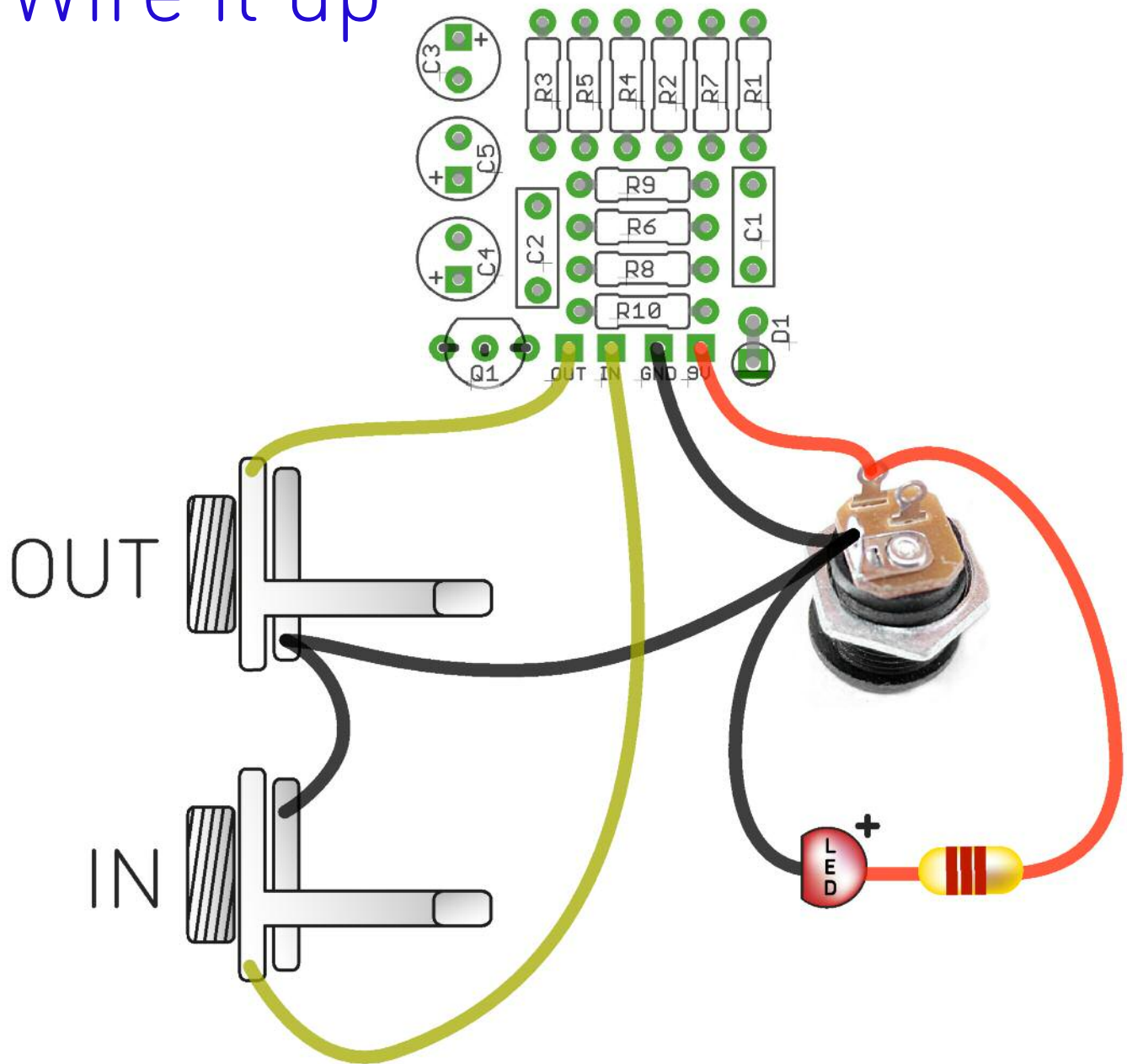
Very simple build, and switch-free. Basically it should sit at the very start of the signal chain on your pedal board, and remain on all the time. There's no reason to switch it on or off, or to bypass it.

If you do want to do either of the above, just wire it up with your own preferred switch. It won't do any harm.

This circuit is standard, Negative GND. Your power supply should be Tip Negative / Sleeve Positive. That's the same as your standard pedals (Boss etc), and you can safely daisy-chain your supply to this pedal.

If you don't want to have the LED, just omit the 2K2 CLR resistor and don't connect the LED at all.

Wire it up



All the grounds must connect together somehow (both jacks, DC socket, PCB, LED). They don't all have to connect to a single point - they can be daisy chained. For instance, looking at the diagram above, the LED- could connect to the ground lug of the IN jack rather than the DC socket. It'd still be connected to ground via the OUT jack ground connection.

PedalParts.co.uk