

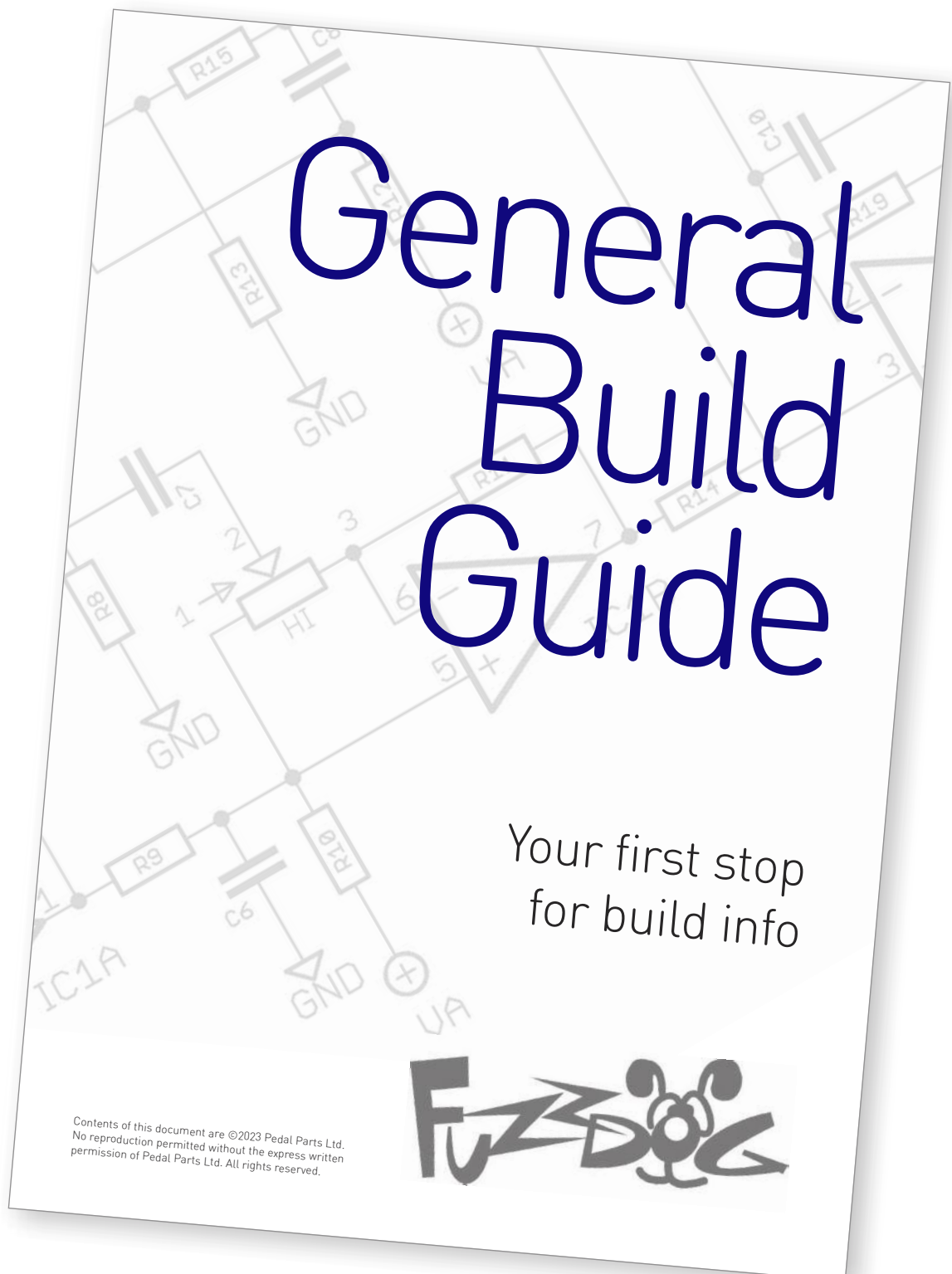
ZAP!

Single channel germanium
fuzz monster

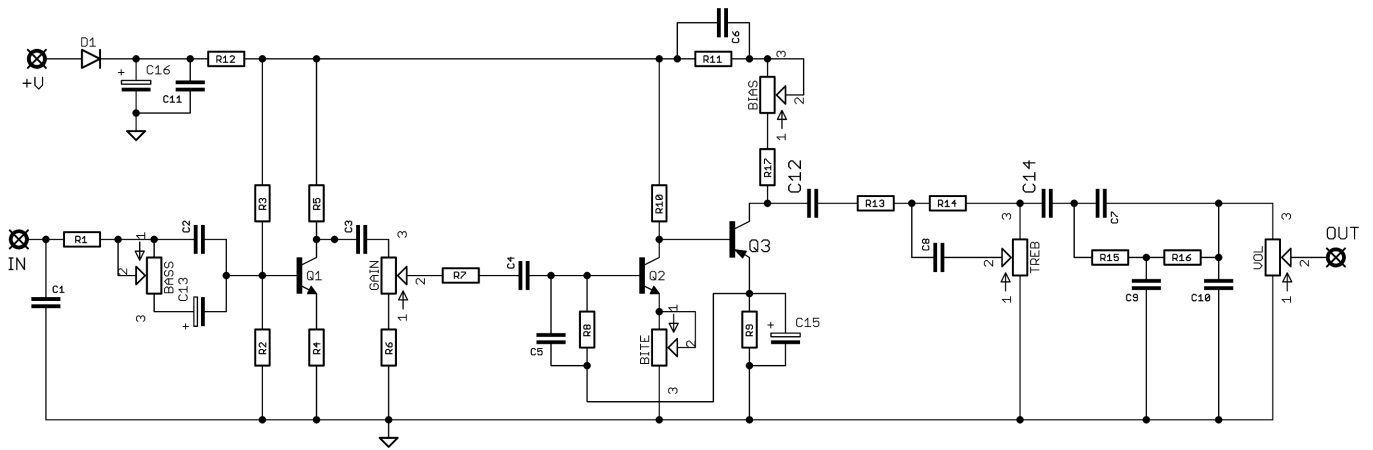


Before you dig in, ensure you download and read the **General Build Guide**.

It contains all the information you need for a successful outcome.



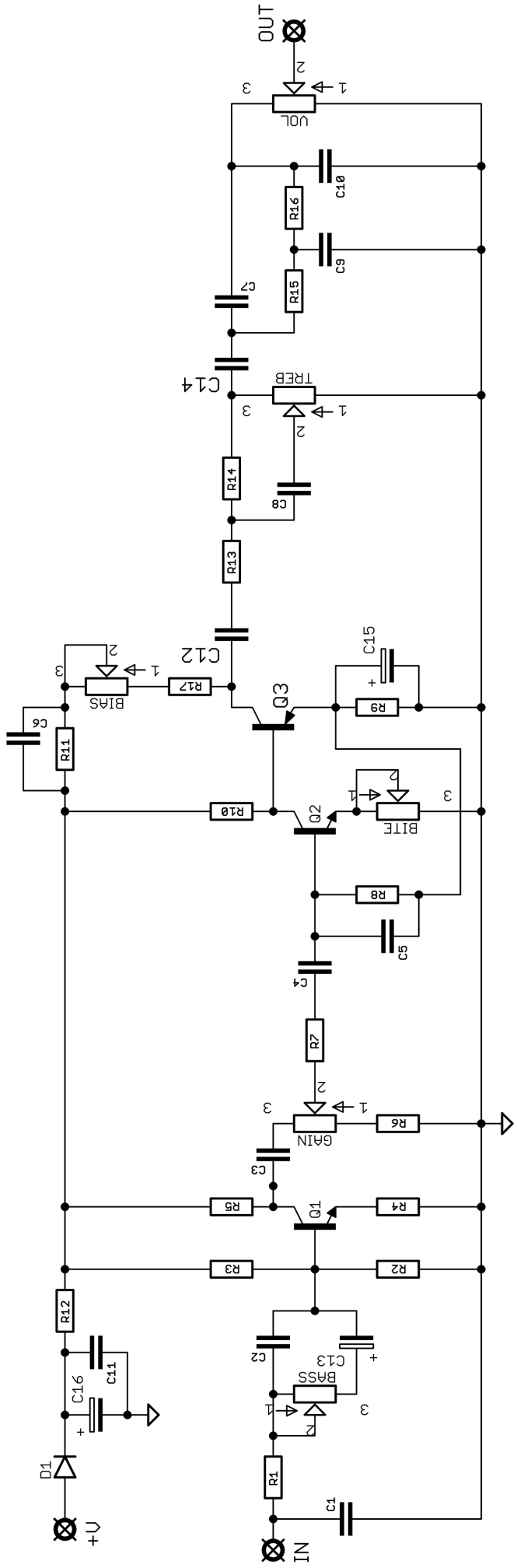
Schematic + BOM

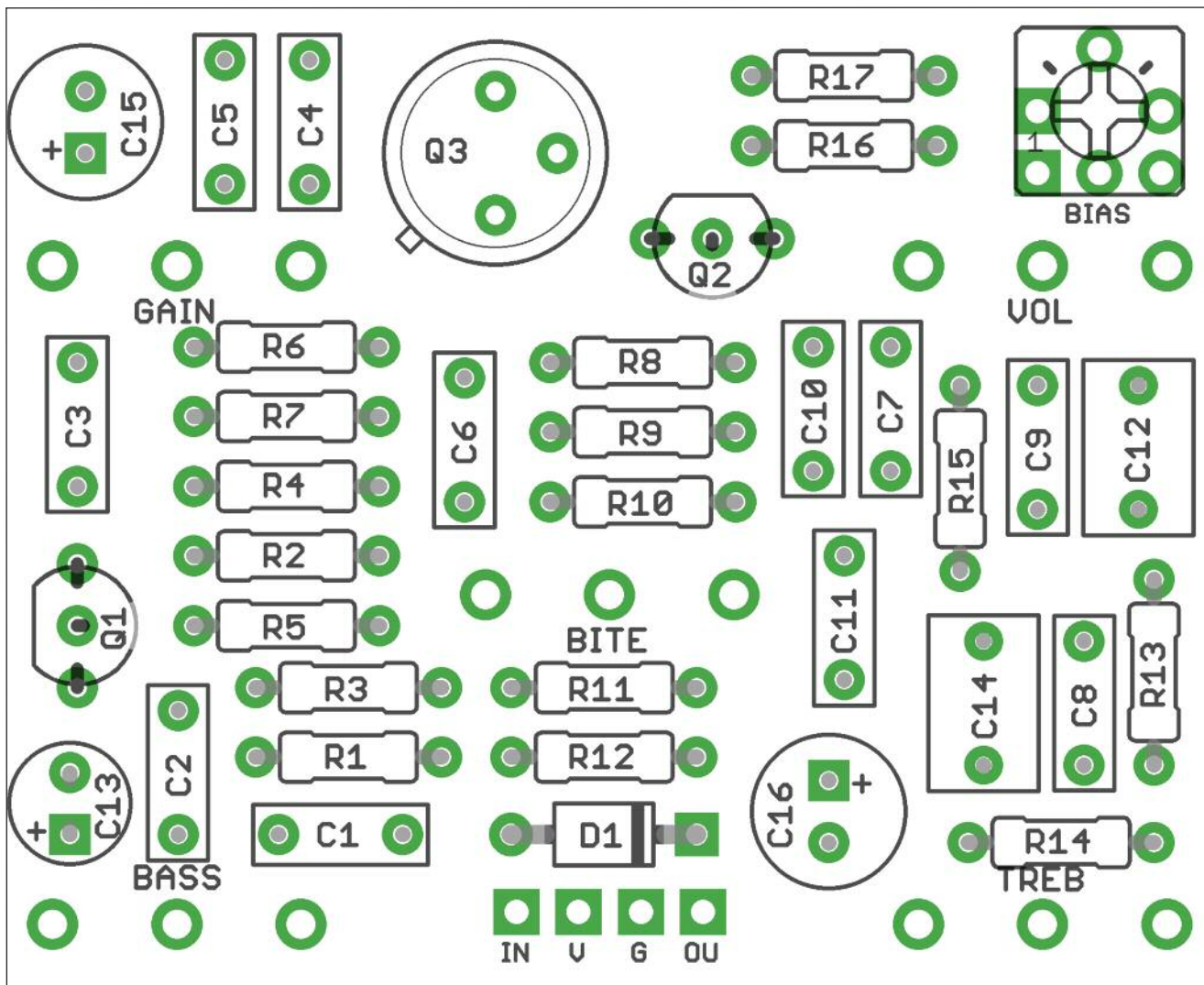


R1	47K	C1	100p	D1	1N5817
R2	47K	C2	10n	Q1	2N5089
R3	470K	C3	100n	Q2	2N3904
R4	470R	C4	100n	Q3	NPN Germanium**
R5	12K	C5	1n	BIAS	20K trimmer
R6	1K	C6	10n	BASS	100KB
R7	100K	C7	6n8	BITE*	1K
R8	220K	C8	10n	GAIN	500KA
R9	2K2	C9	1n	TREB	25KB
R10	22K	C10	470p	VOL	100KB
R11	1K	C11	100n		
R12	100R	C12	1u elec		
R13	12K	C13	4u7 elec		
R14	47K	C14	1u elec		
R15	12K	C15	47u elec		
R16	12K	C16	100u elec		
R17	1K				

*BITE is an optional pot to give you more oomph at Q2. If you prefer to stick with the original just replace this with a 1K resistor across pads 1-3.

**Works well with a range of hFE - sounds best with something lower around 40-50.





Snap the small metal tag off the pots so they can be mounted flush in the box.

You should solder all other board-mounted components before you solder the pots.

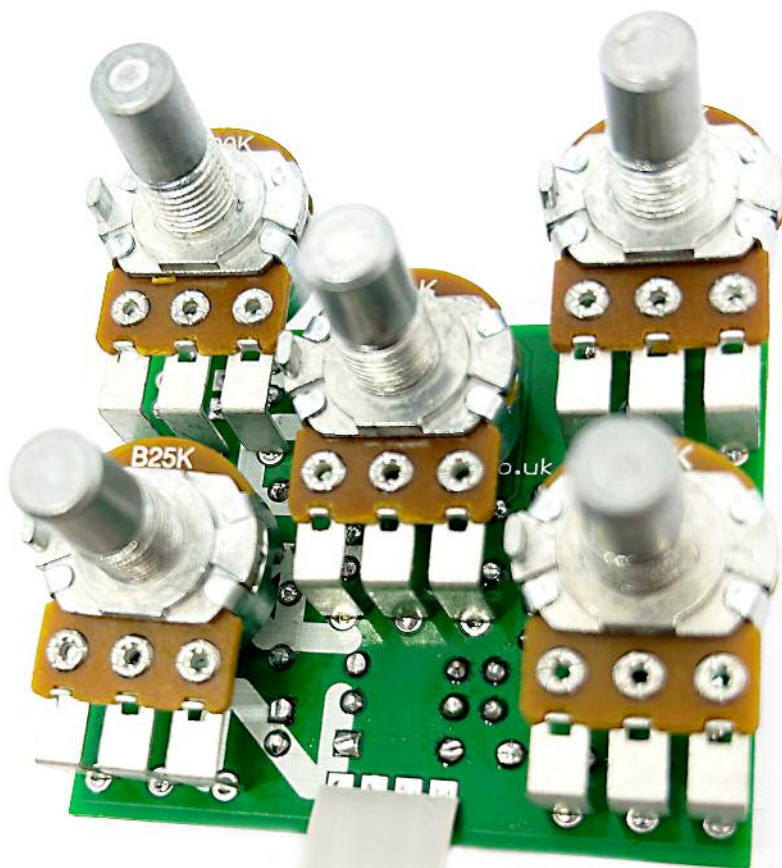
Once they're in place you'll have no access to much of the board.

Trimmer Adjustment

Twiddle until you get the sound you want.

No BITE? No bother...

Place a 1K resistor as below.



Drilling template

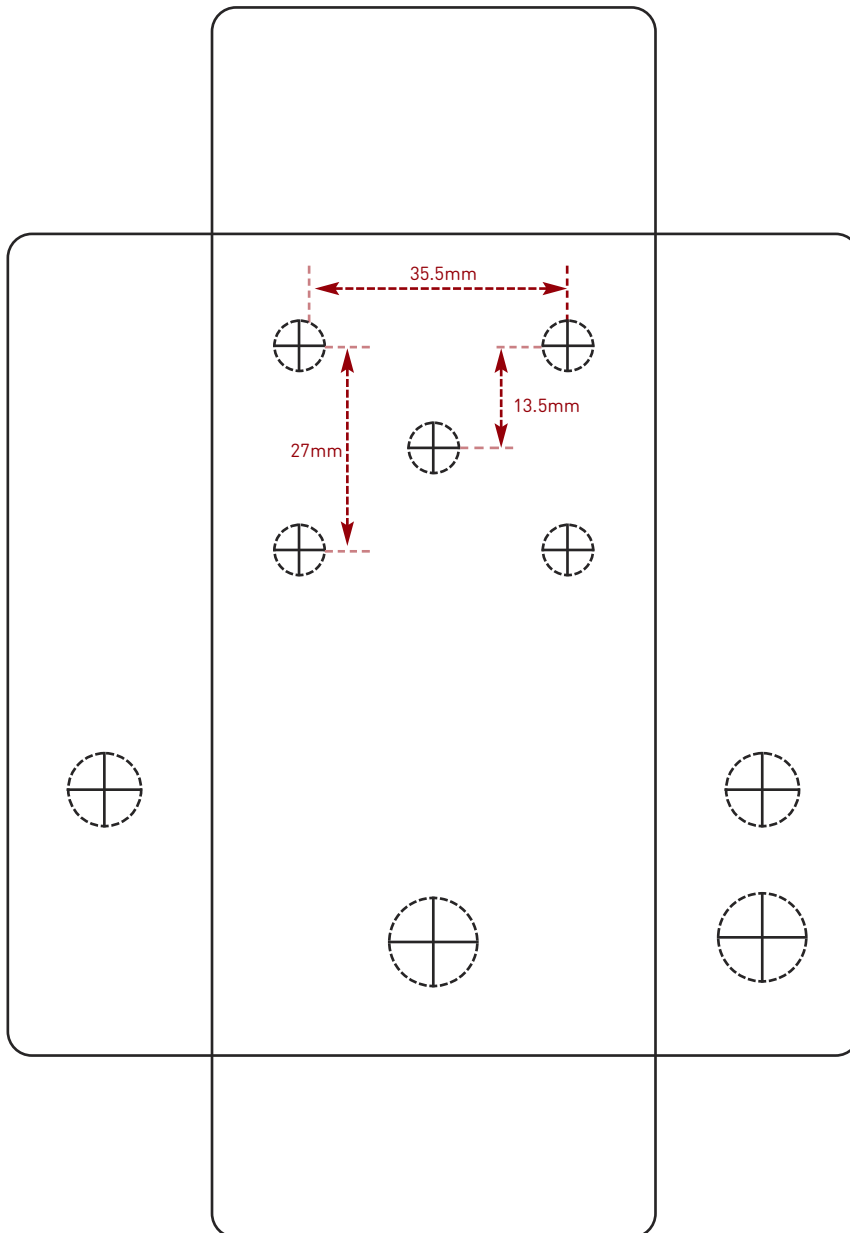
Hammond 1590B - 60 x 111 x 31mm

Drill sizes listed are minimum.

It's a good idea to add 1mm to anything mounted on the PCB that'll poke through the front of the enclosure.

Drill sizes:

Pots	7mm
Jacks	10mm
Footswitch	12mm
DC Socket	12mm
Toggle switches	6mm
Rotary switches	10mm



This template is a rough guide only. You should ensure correct marking of your enclosure before drilling. You use this template at your own risk.

Pedal Parts Ltd can accept no responsibility for incorrect drilling of enclosures.

FuzzDog.co.uk