

# Swamp Trem

Blackface-like wobbling

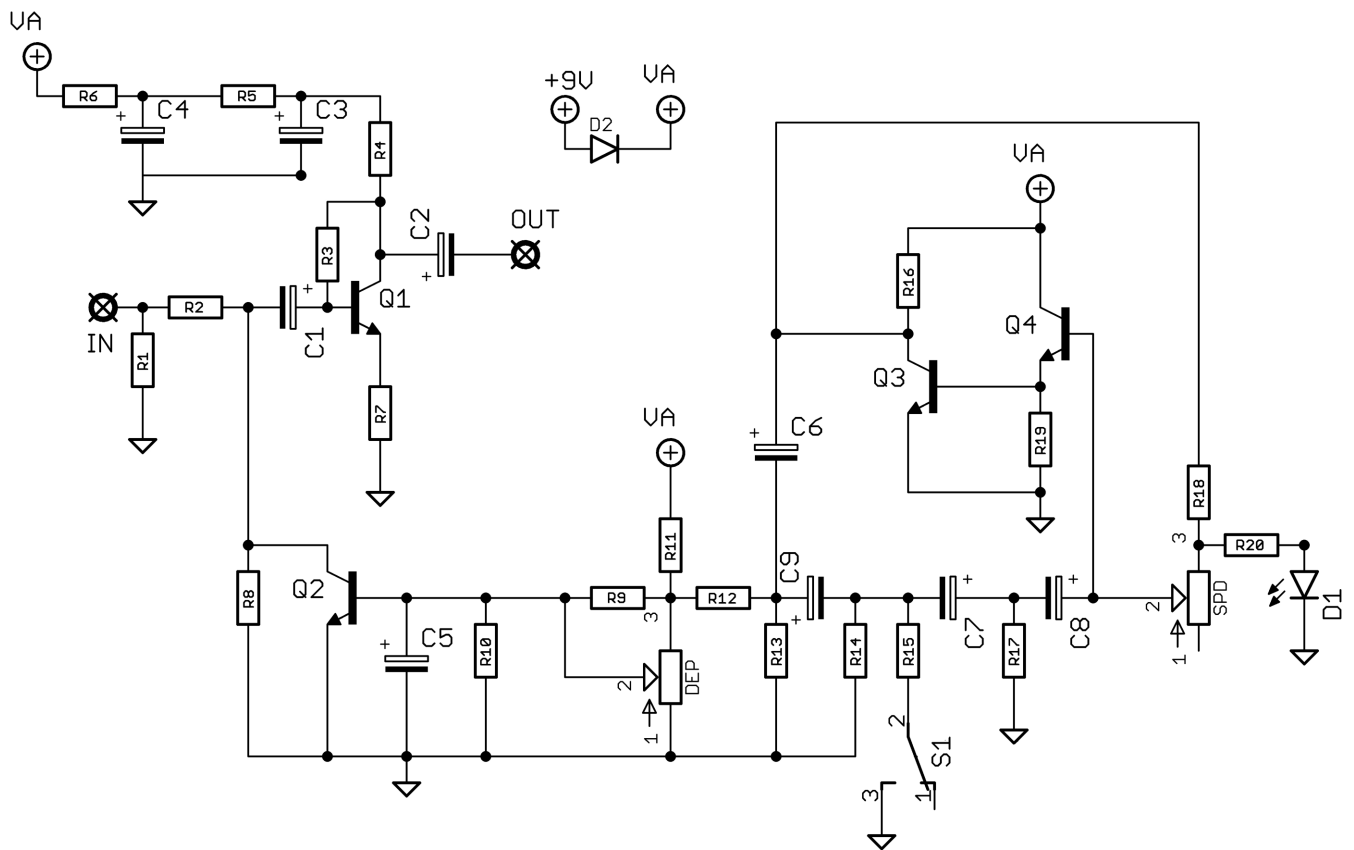


Before you dig in, ensure you download and read the **General Build Guide**.

It contains all the information you need for a successful outcome.



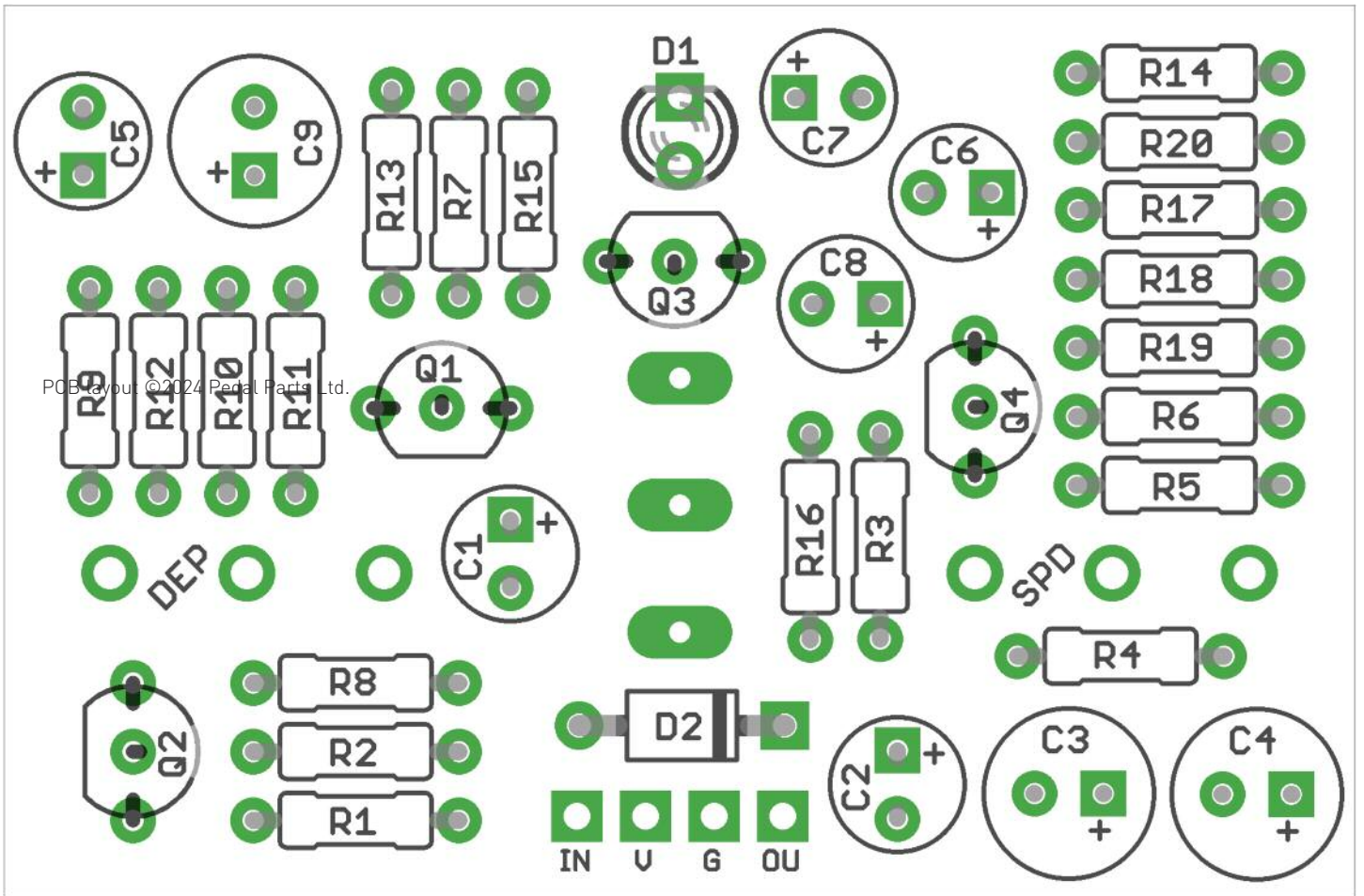
# Schematic + BOM



R1	1M	R16	2K2	Q1	2N5089
R2	4K7*	R17	2K2	Q2-4	2N3904
R3	470K	R18	47K	D1	3mm Red LED
R4	10K	R19	22K	D2	1N5817
R5	2K2	R20	470R		
R6	2K2				
R7	2K2	C1	4u7 elec	DEPTH	100KA**
R8	4K7	C2	4u7 elec	RATE	100KB
R9	6K8	C3	22u elec		
R10	27K	C4	22u elec	S1	SPDT ON-ON
R11	270K	C5	3u3 elec		
R12	47K	C6	33u elec		
R13	2K2	C7	10u elec		
R14	2K2	C8	4u7 elec		
R15	120R	C9	47u elec		

\*47K on original, but dropping it helps with the volume drop.

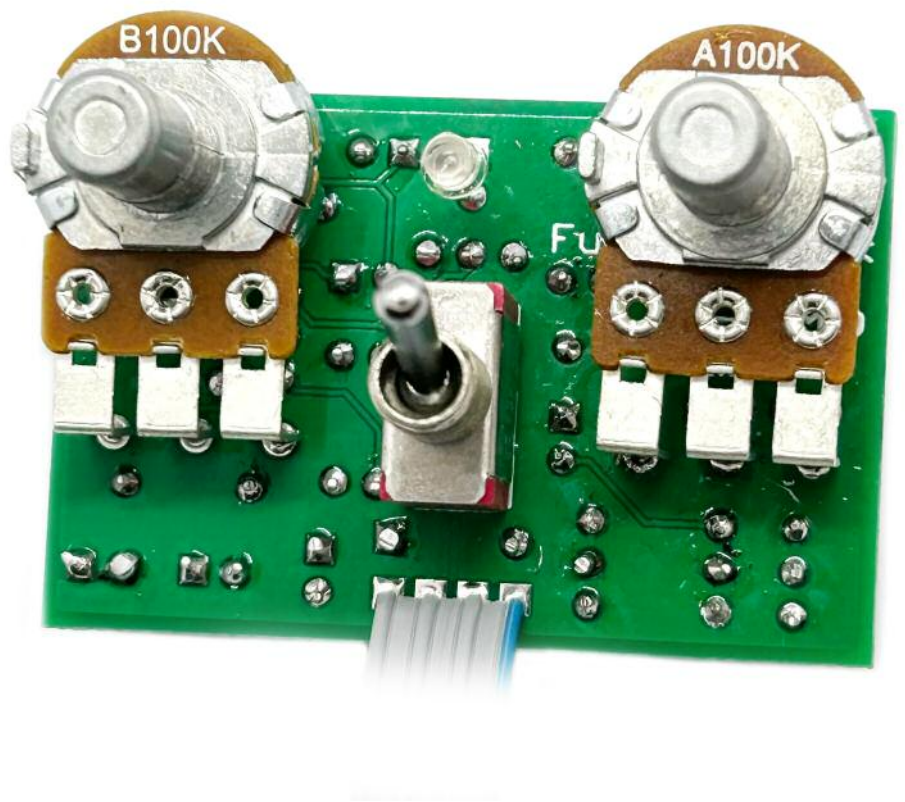
\*\*Linear in original, but really - go log.



Snap the small metal tag off the pots so they can be mounted flush in the box.

You should solder all other board-mounted components before you solder the pots.

Once they're in place you'll have no access to much of the board.



# Drilling template

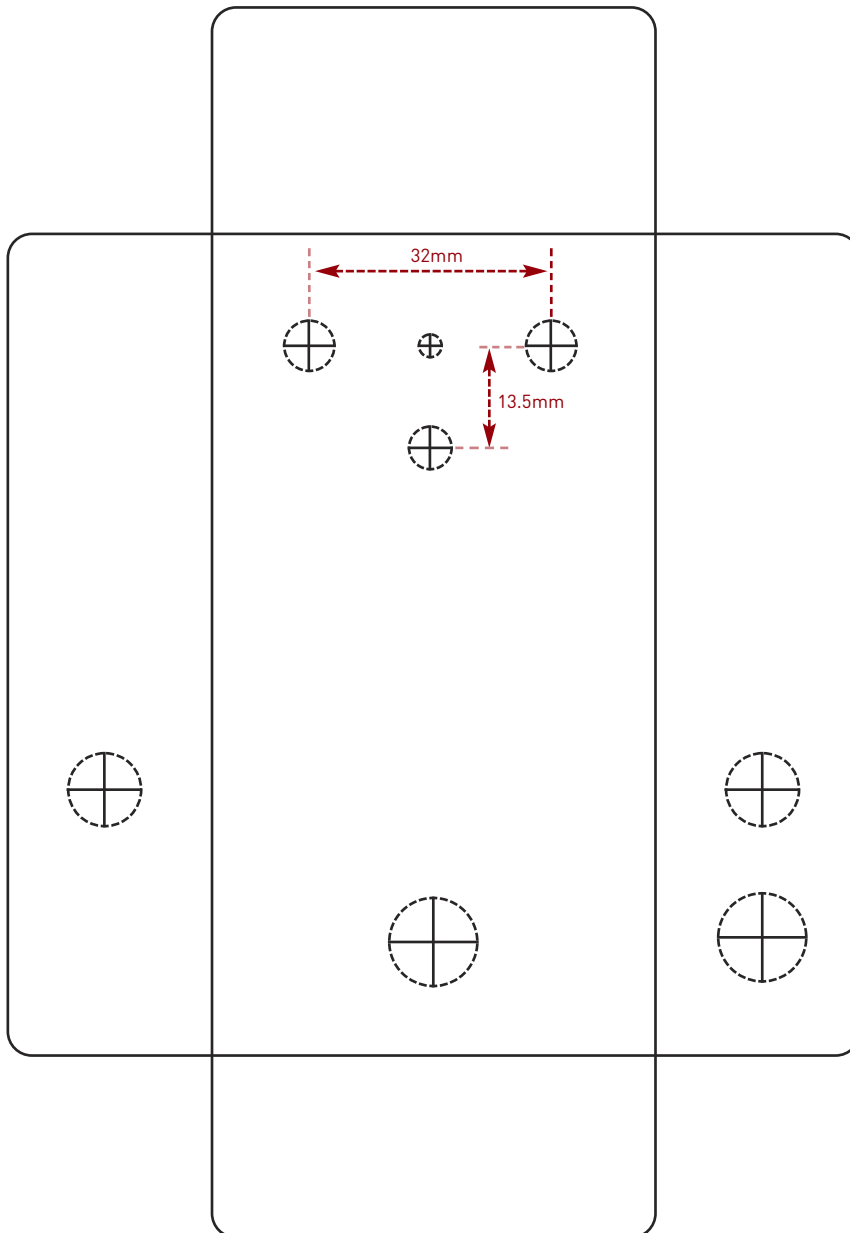
**Hammond 1590B - 60 x 111 x 31mm**

Drill sizes listed are minimum.

It's a good idea to add 1mm to anything mounted on the PCB that'll poke through the front of the enclosure.

Drill sizes:

Pots	7mm
Jacks	10mm
Footswitch	12mm
DC Socket	12mm
Toggle switches	6mm
Rotary switches	10mm



This template is a rough guide only. You should ensure correct marking of your enclosure before drilling. You use this template at your own risk.

Pedal Parts Ltd can accept no responsibility for incorrect drilling of enclosures.

FuzzDog.co.uk