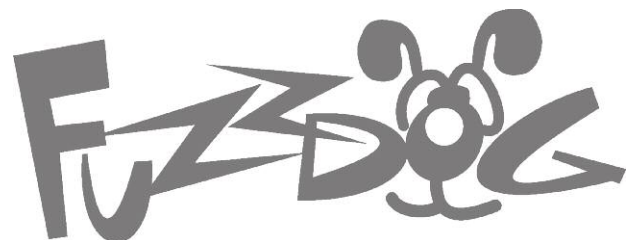


# Super Sweety Drive

It's just real nice...



# Important notes

## If you're using any of our footswitch daughterboards, DOWNLOAD THE DAUGHTERBOARD DOCUMENT

- Download and read the appropriate build document for the daughterboard as well as this one BEFORE you start.
- DO NOT solder the supplied Current Limiting Resistor (CLR) to the main circuit board even if there is a place for it. This should be soldered to the footswitch daughterboard.

## POWER SUPPLY

Unless otherwise stated in this document this circuit is designed to be powered with 9V DC.

## COMPONENT SPECS

Unless otherwise stated in this document:

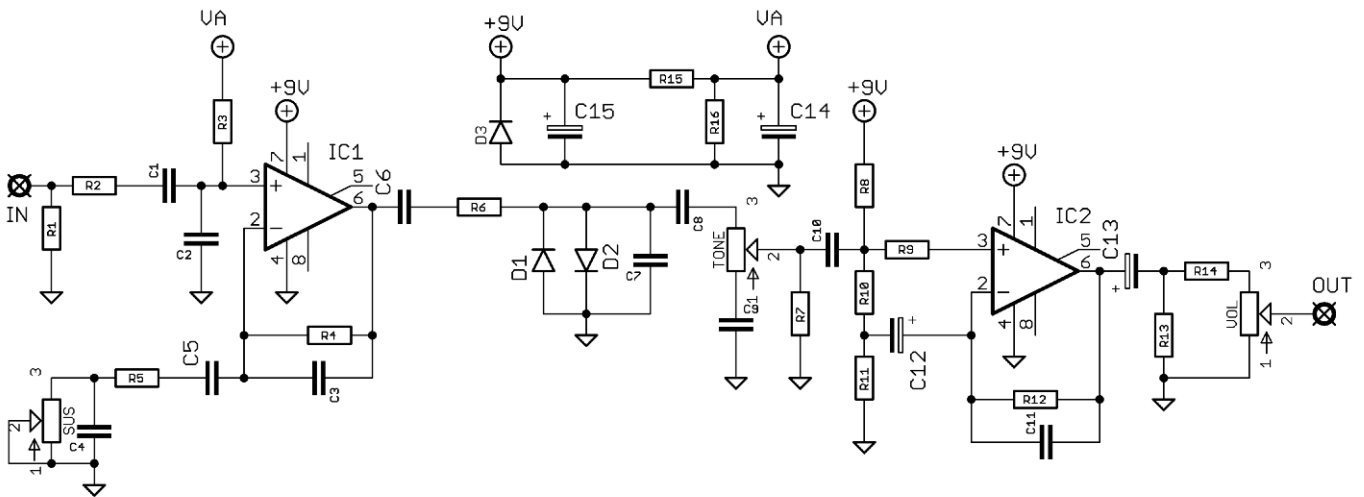
- Resistors should be 0.25W. You can use those with higher ratings but check the physical size of them.
- Electrolytics caps should be at least 25V for 9V circuits, 35V for 18V circuits. Again, check physical size if using higher ratings.

## LAYOUT CONVENTIONS

Unless otherwise stated in this document, the following are used:

- **Electrolytic capacitors:**  
Long leg (anode) to square pad.
- **Diodes/LEDs:**  
Striped leg (cathode) to square pad. Short leg to square pad for LEDs.
- **ICs:**  
Square pad indicates pin 1.

# Schematic + BOM

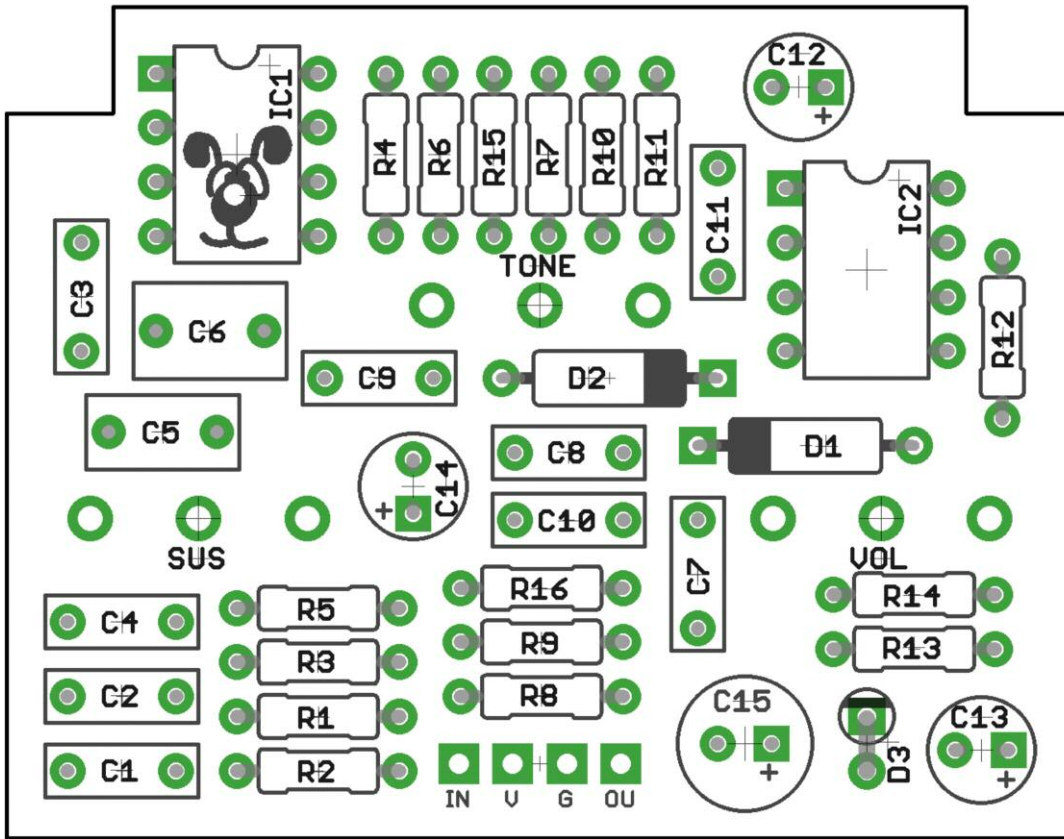


R1	1M
R2	10K
R3	1M
R4	150K
R5	510R
R6	10K
R7	100K
R8	1M
R9	10K
R10	1M
R11	2K4
R12	6K8
R13	10K
R14	100R
R15	150K
R16	150K

C1	10n
C2	1n
C3	10p
C4	4n7
C5	470n
C6	1u
C7	10n
C8	10n
C9	10n
C10	220n
C11	1n
C12	10u elec
C13	22u elec
C14	10u elec
C15	100u elec

IC1-2	LM741
D1-2	1N270*
D3	1N4001
SUS	50KB
TONE	20KW
VOL	10KA

\*No harm in trying other diodes for your own flavour.



PCB layout ©2019 Pedal Parts Ltd.

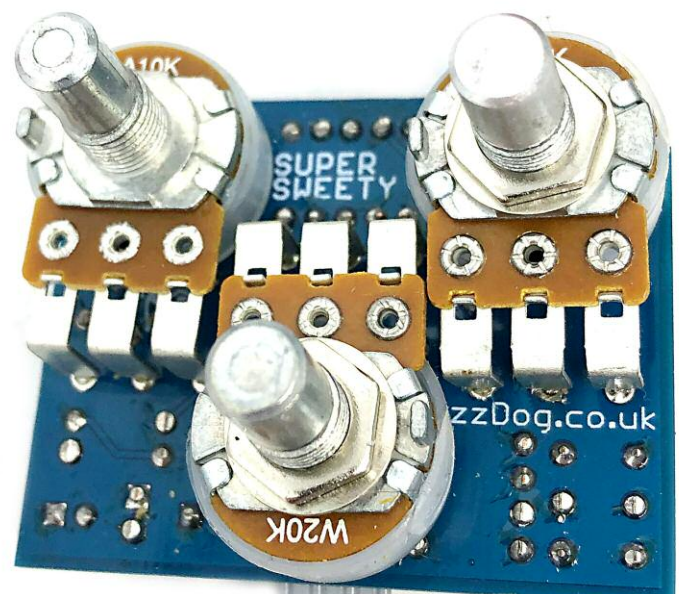
The power and signal pads on the PCB conform to the FuzzDog Direct Connection format, so can be paired with the appropriate daughterboard for quick and easy offboard wiring. Check the separate daughterboard document for details.

Be very careful when soldering the ICs if you aren't using sockets (you really should). They're very sensitive to heat. Keep exposure to heat to a minimum (under 2 seconds) and leave a few seconds between soldering each leg. Same goes for the diodes and LED - easy does it.

Snap the small metal tag off the pots so they can be mounted flush in the box.

You should solder all other board-mounted components before you solder the pots. Once they're in place you'll have no access to much of the board. Make sure your pots all line up nicely.

The best way to do that is to solder a single pin of each pot in place then melt and adjust if necessary before soldering in the other two pins. If your pots don't have protective plastic jackets ensure you leave a decent gap between the pot body and the PCB otherwise you risk shorting out the circuit.





# Test the board!

**Check the relevant daughterboard document for more info before you undertake this stage.**

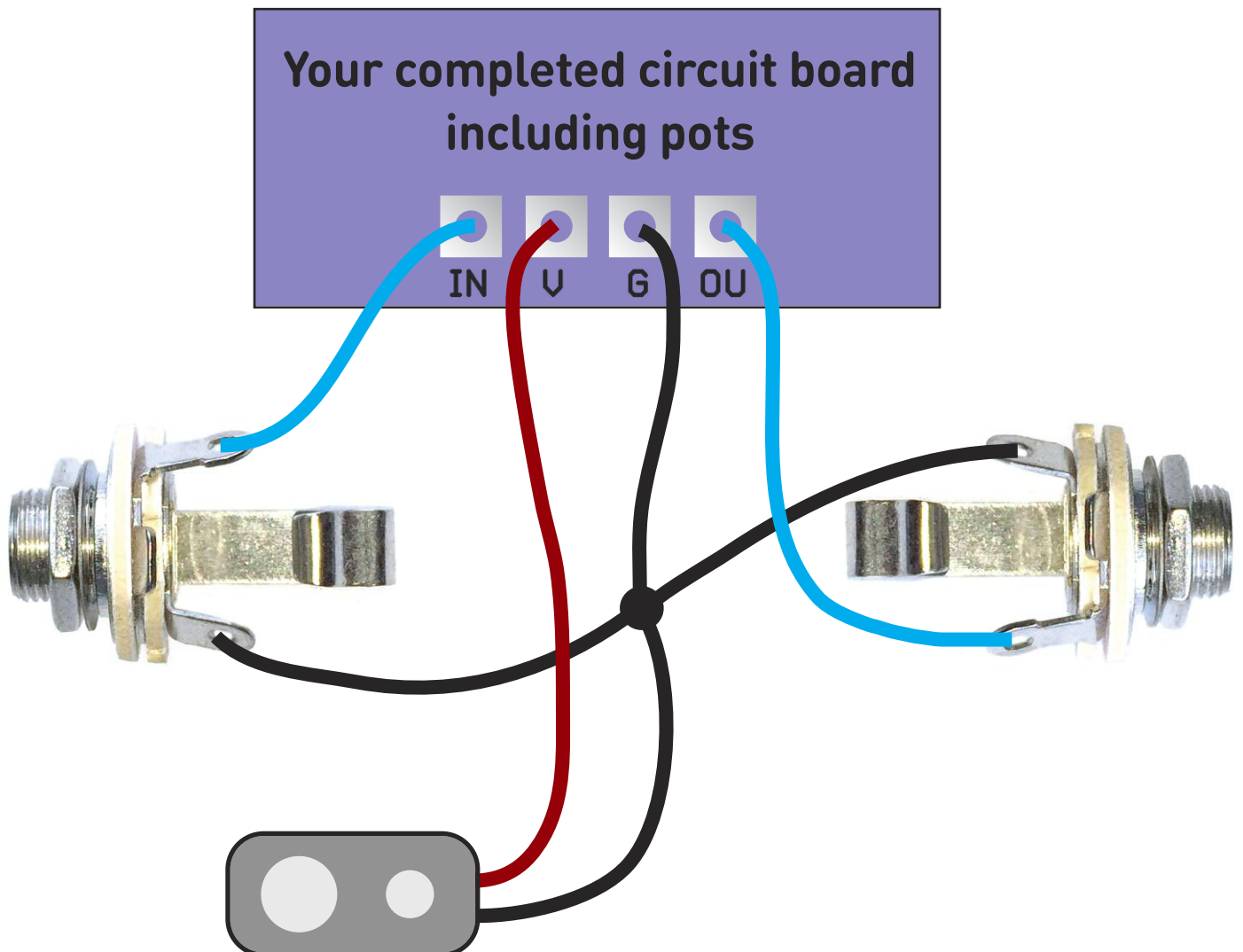
**UNDER NO CIRCUMSTANCES will troubleshooting help be offered if you have skipped this stage. No exceptions.**

Once you've finished the circuit it makes sense to test it before starting on the switch and LED wiring. It'll cut down troubleshooting time in the long run. If the circuit works at this stage, but it doesn't once you wire up the switch - guess what? You've probably made a mistake with the switch.

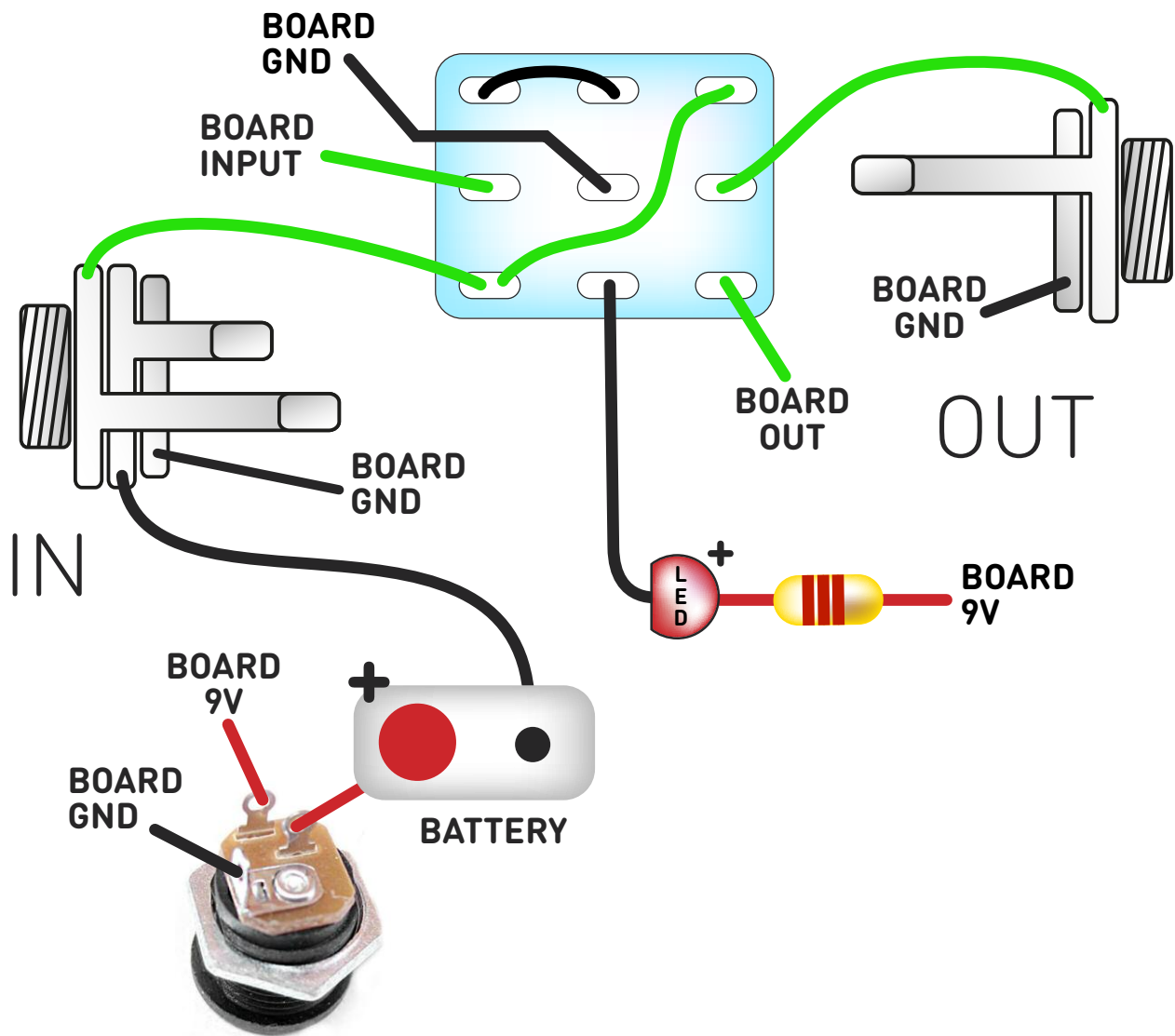
Solder some nice, long lengths of wire to the board connections for 9V, GND, IN and OUT. Connect IN and OUT to the jacks as shown. Connect all the GNDs together (twist them up and add a small amount of solder to tack it). Connect the battery + lead to the 9V wire, same method. Plug in. Go!

If you're using a ribbon cable you can tack the wires to the ends of that. It's a lot easier to take them off there than it is to desolder wires from the PCB pads.

If it works, carry on and do your switch wiring. If not... aw man. At least you know the problem is with the circuit. Find out why, get it working, THEN worry about the switch etc.



# Wire it up (if using a daughterboard please refer to the relevant document)



Wiring shown above will disconnect the battery when you remove the jack plug from the input, and also when a DC plug is inserted.

The Board GND connections don't all have to directly attach to the board. You can run a couple of wires from the DC connector, one to the board, another to the IN jack, then daisy chain that over to the OUT jack.

It doesn't matter how they all connect, as long as they do.

This circuit is standard, Negative GND. Your power supply should be Tip Negative / Sleeve Positive. That's the same as your standard pedals (Boss etc), and you can safely daisy-chain your supply to this pedal.

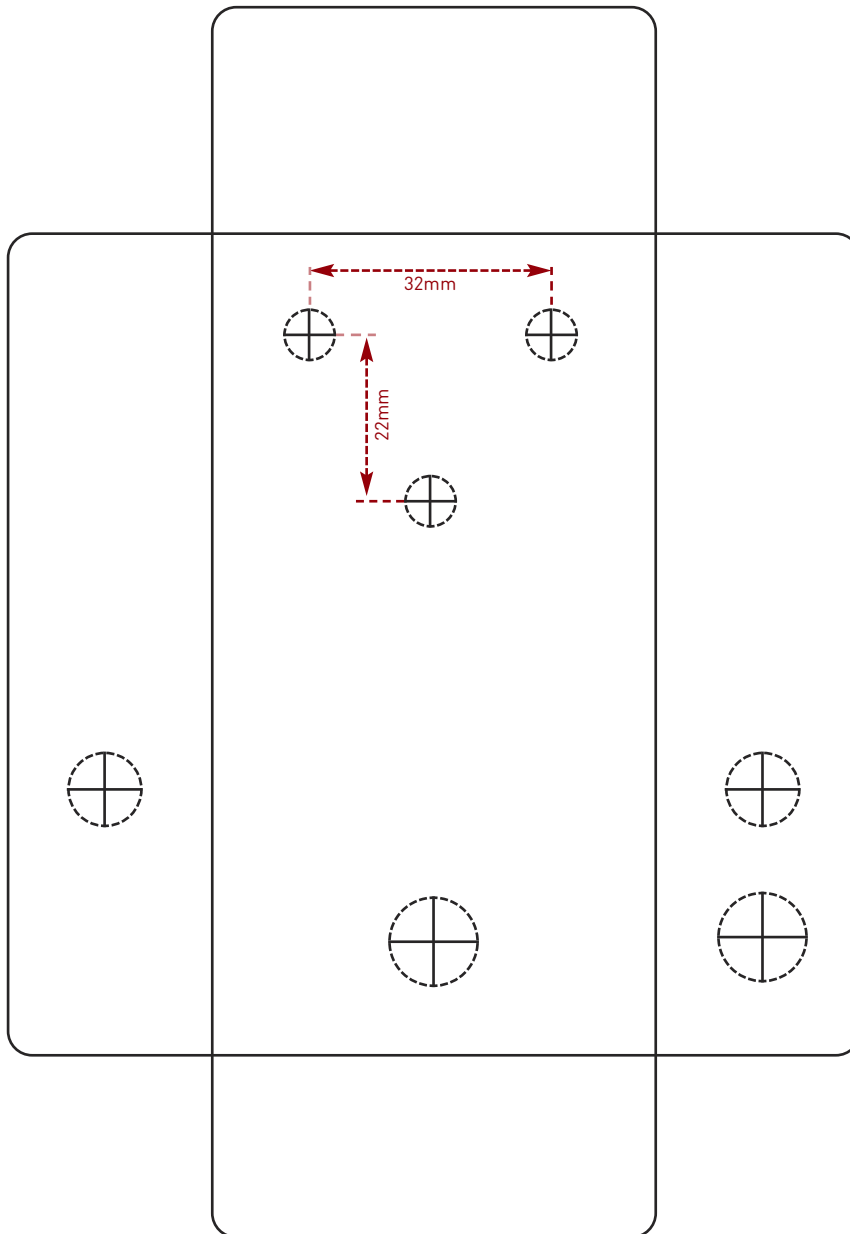
# Drilling template

Hammond 1590B  
60 x 111 x 31mm

Recommended drill sizes:

Pots	7mm
Jacks	10mm
Footswitch	12mm
DC Socket	12mm
Toggle switches	6mm

It's a good idea to drill the pot and toggle switch holes 1mm bigger if you're board-mounting them.  
Wiggle room = good!



This template is a rough guide only. You should ensure correct marking of your enclosure before drilling. You use this template at your own risk.  
Pedal Parts Ltd can accept no responsibility for incorrect drilling of enclosures.

FuzzDog.co.uk