

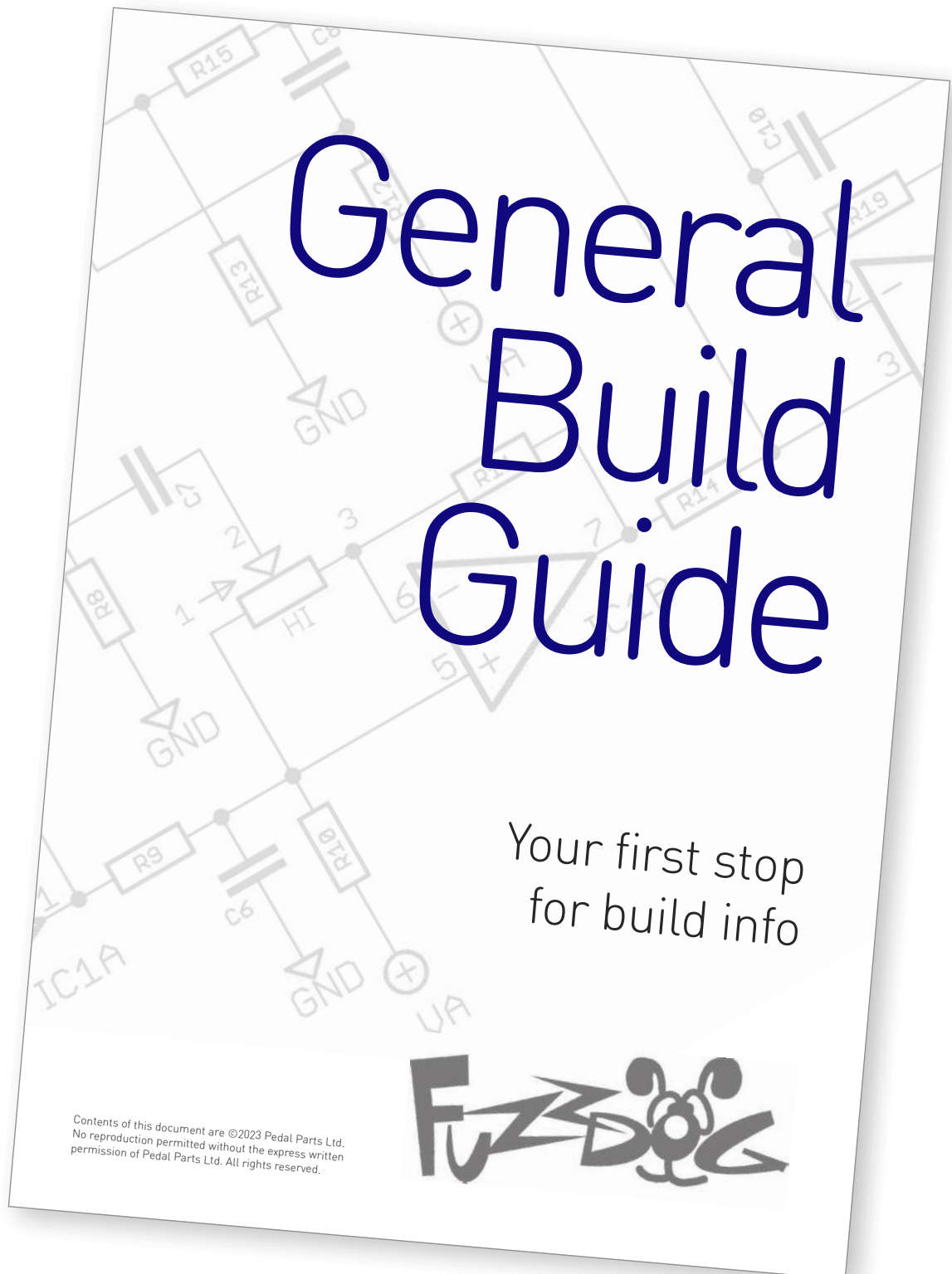
# Splitter/Blend

Run Off Groove's...  
what it says up there.

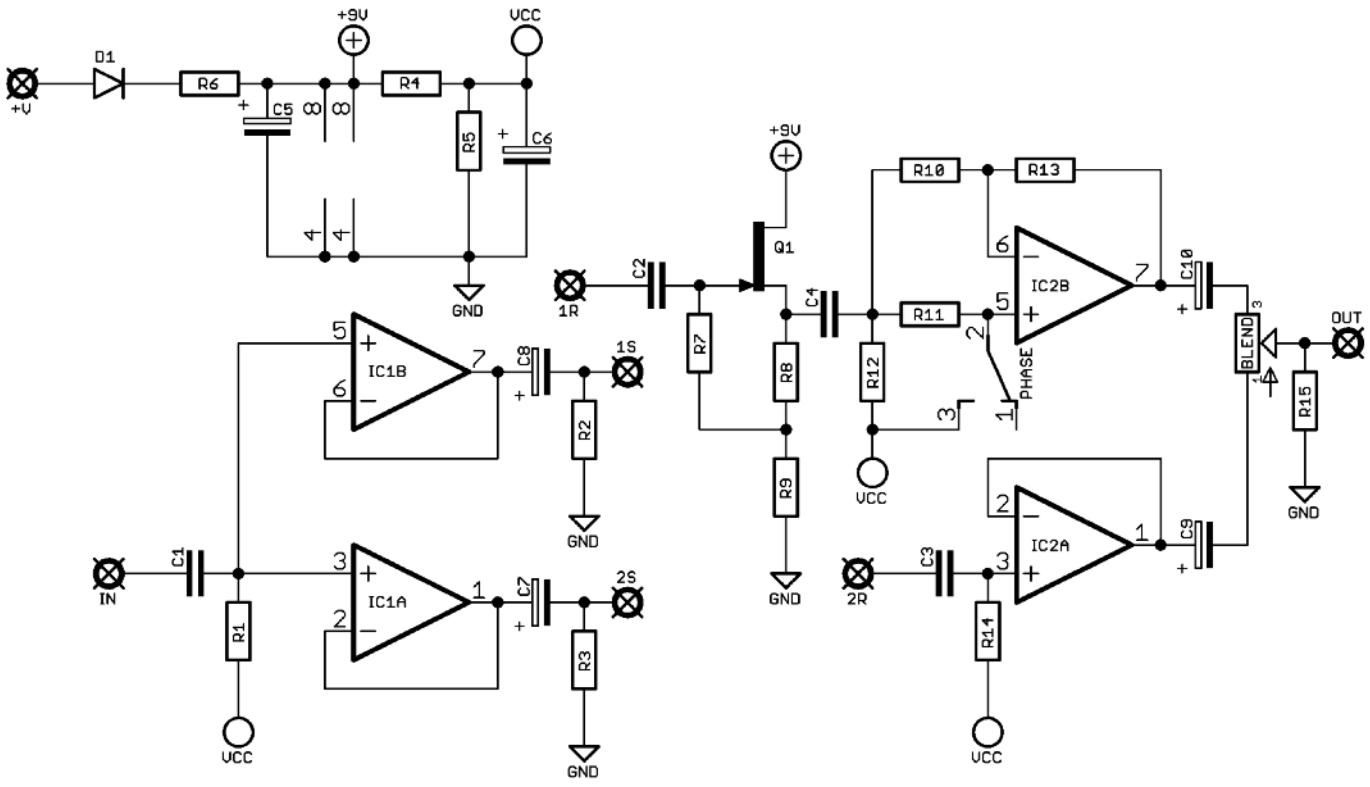


Before you dig in, ensure you download and read the **General Build Guide**.

It contains all the information you need for a successful outcome.



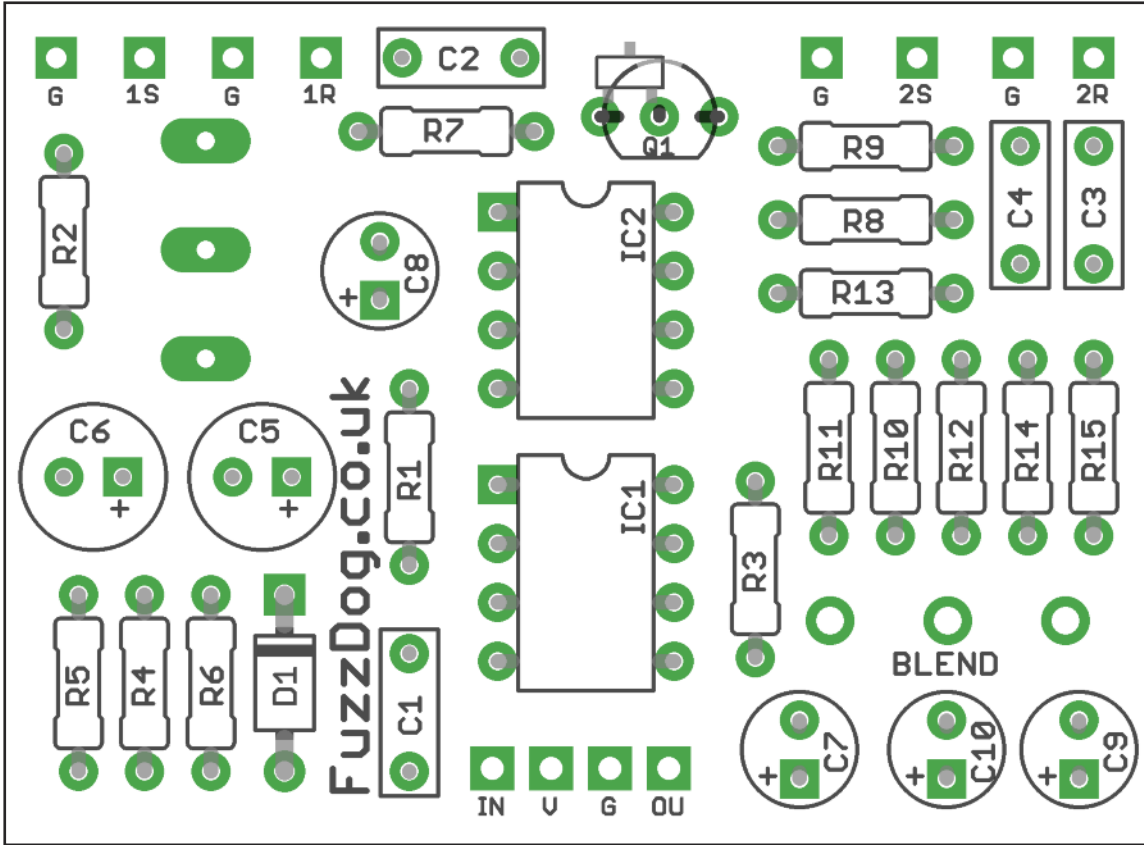
# Schematic + BOM



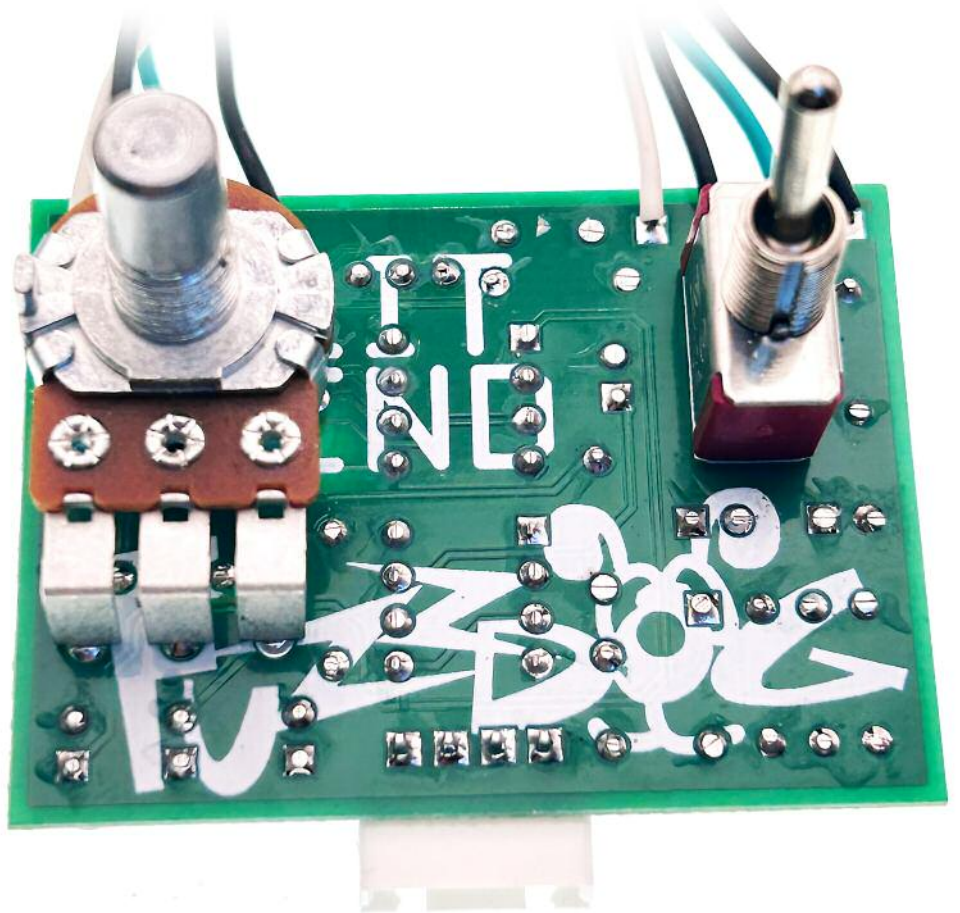
R1	1M	C1	220n	D1	1N5817
R2	1M	C2	220n	Q1	J201/MMBFJ201*
R3	1M	C3	220n	IC1-2	TL072
R4	33K	C4	220n	BLEND	25KB
R5	33K	C5	100u elec	PHASE	SPDT ON-ON
R6	330R	C6	100u elec		
R7	1M	C7	10u elec		
R8	4K7	C8	10u elec		
R9	4K7	C9	10u elec		
R10	220K	C10	10u elec		
R11	220K				
R12	1M				
R13	220K				
R14	1M				
R15	1M				

\*There's spots on the PCB for both through-hole and SMT parts.





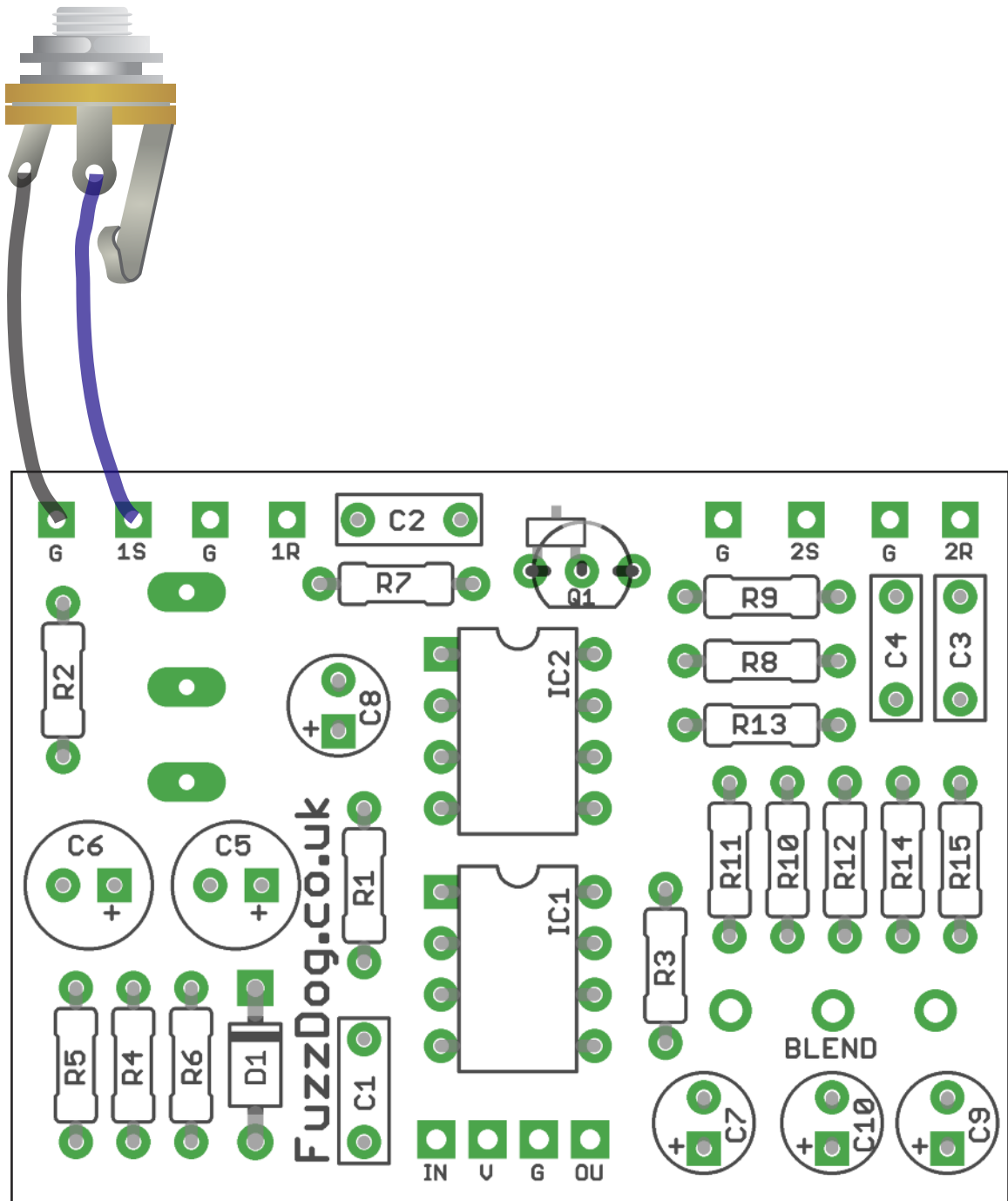
Snap the small metal tags off the pot so it can be mounted flush in the box.



# Wiring

You have pads for two sets of Send and Returns - the labels should be obvious.

Use the phase switch if you find you're getting phase cancellation when blending your two effects loops. It'll invert the phase of Return 1, which should fix it.



# Drilling template

Drill sizes listed are minimum.  
It's a good idea to add 1mm to anything mounted on the PCB that'll poke through the front of the enclosure.

## Drill sizes:

Pots	7mm
Jacks	10mm
Footswitch	12mm
DC Socket	12mm
Toggle switches	6mm
Rotary switches	10mm

There's no rules here, other than the two controls are 32mm apart.

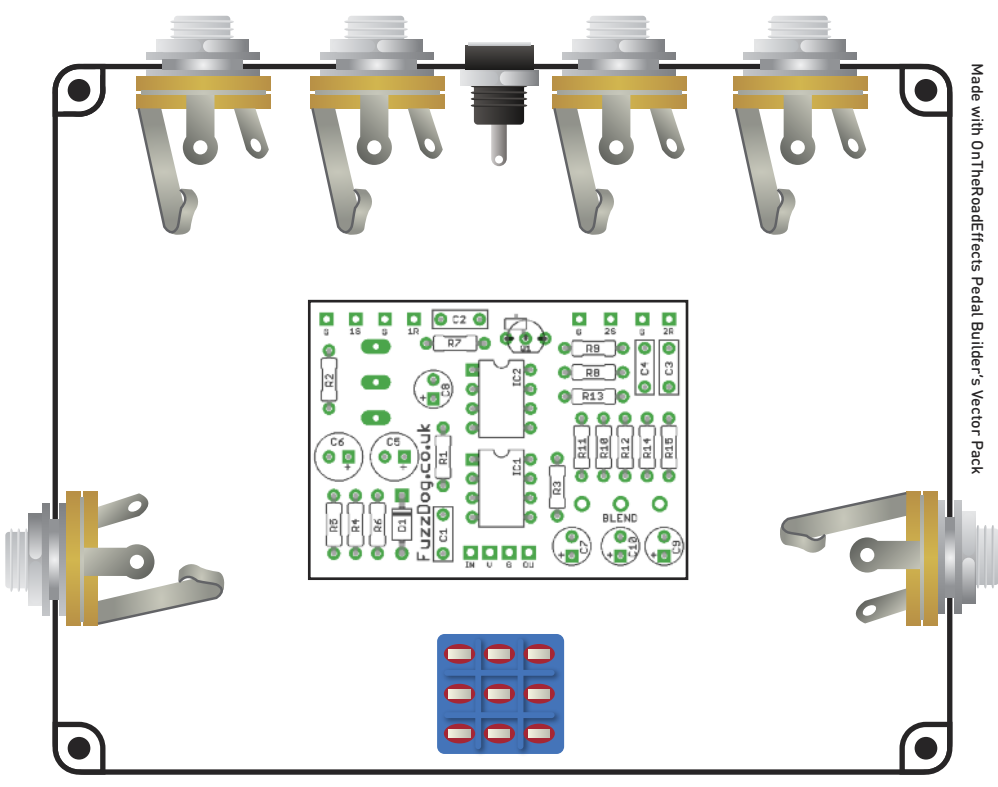


This template is a rough guide only. You should ensure correct marking of your enclosure before drilling. You use this template at your own risk.  
Pedal Parts Ltd can accept no responsibility for incorrect drilling of enclosures.

# FuzzDog.co.uk

# Example layout

Hammond 1590BB - 94 x 119 x 31mm



Made with OnTheRoadEffects Pedal Builder's Vector Pack

