

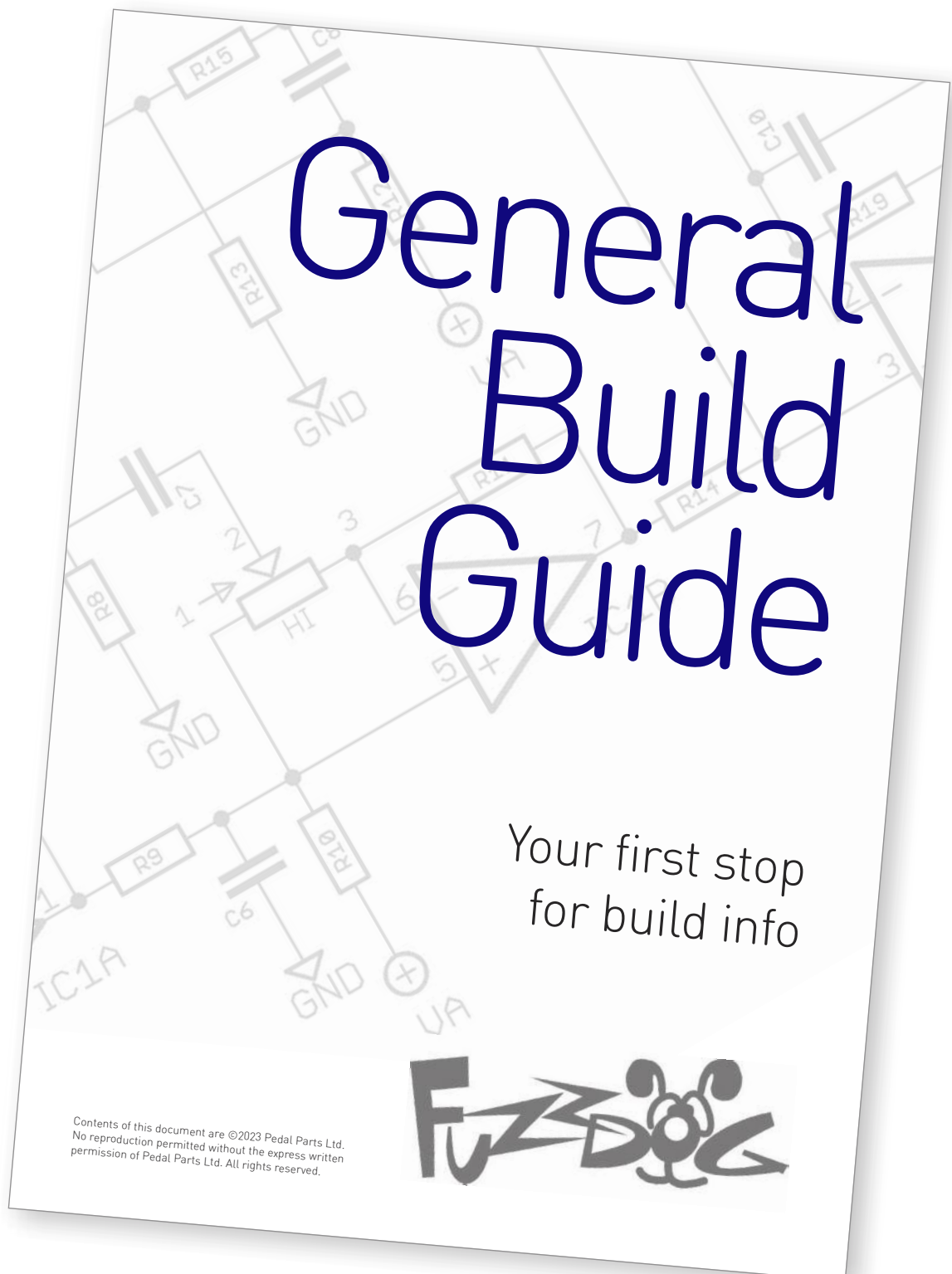
Shocktave

Joe Davisson's glitchy
octave-down box of fun

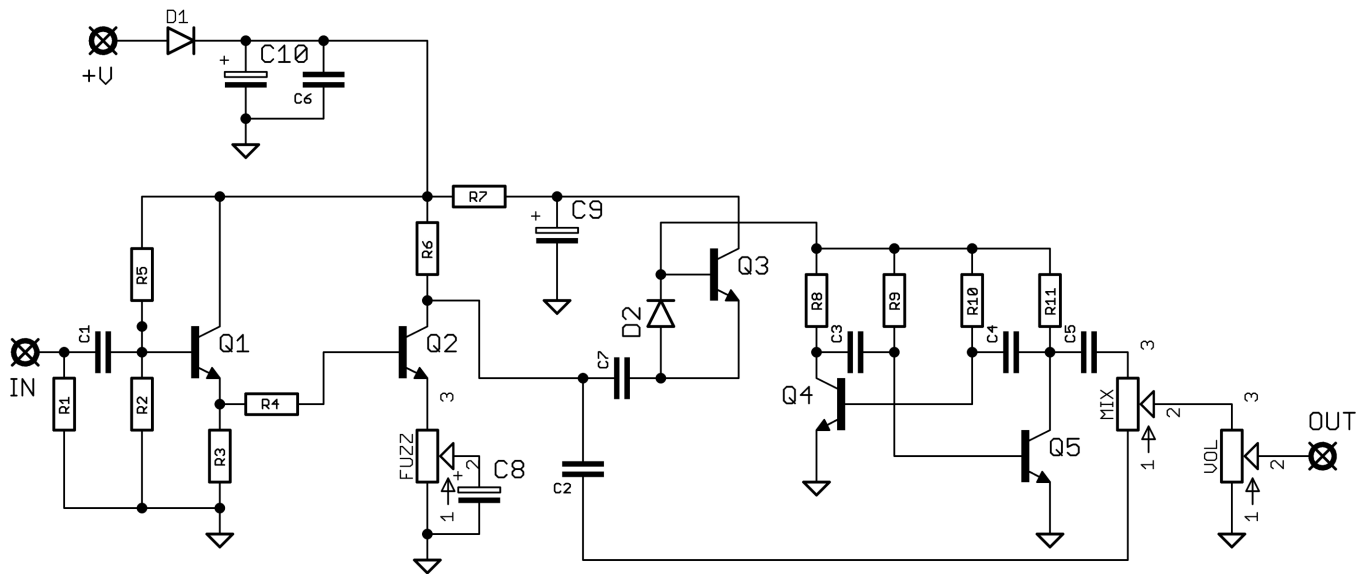


Before you dig in, ensure you download and read the **General Build Guide**.

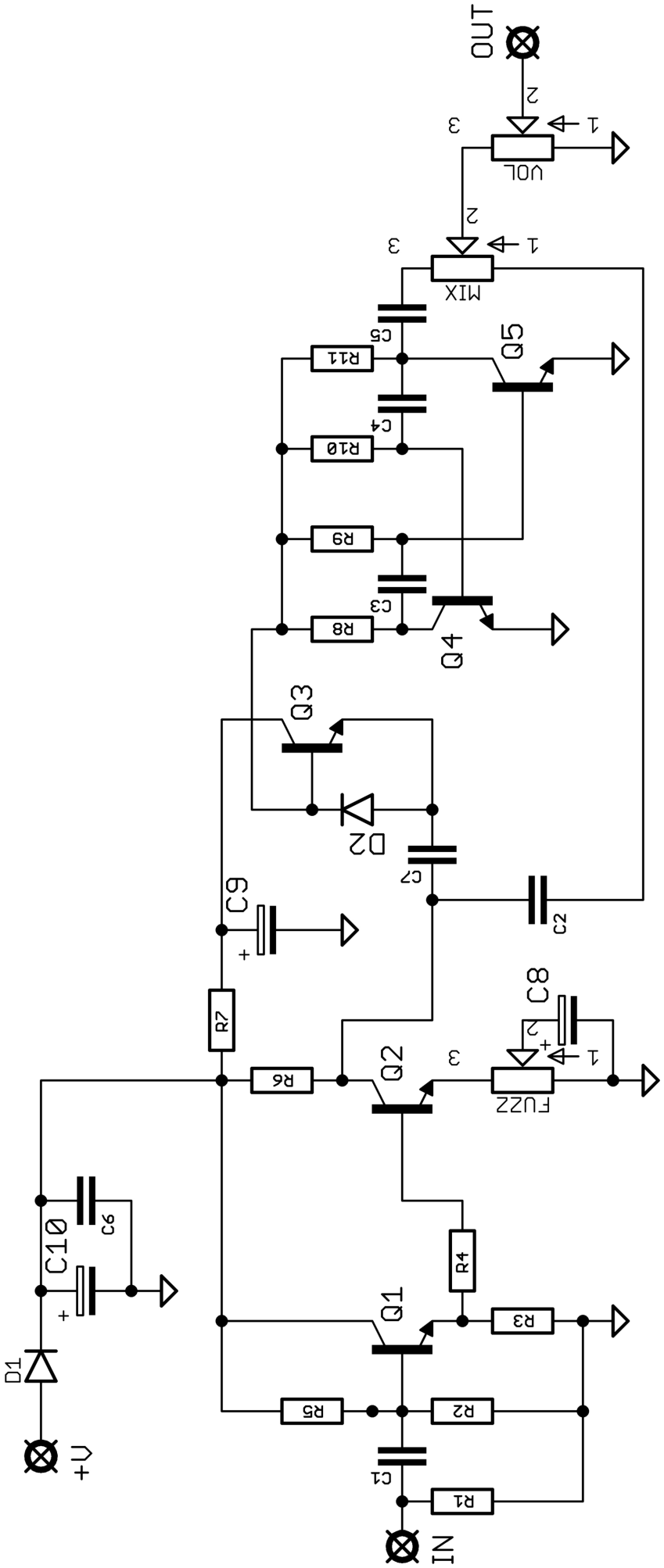
It contains all the information you need for a successful outcome.

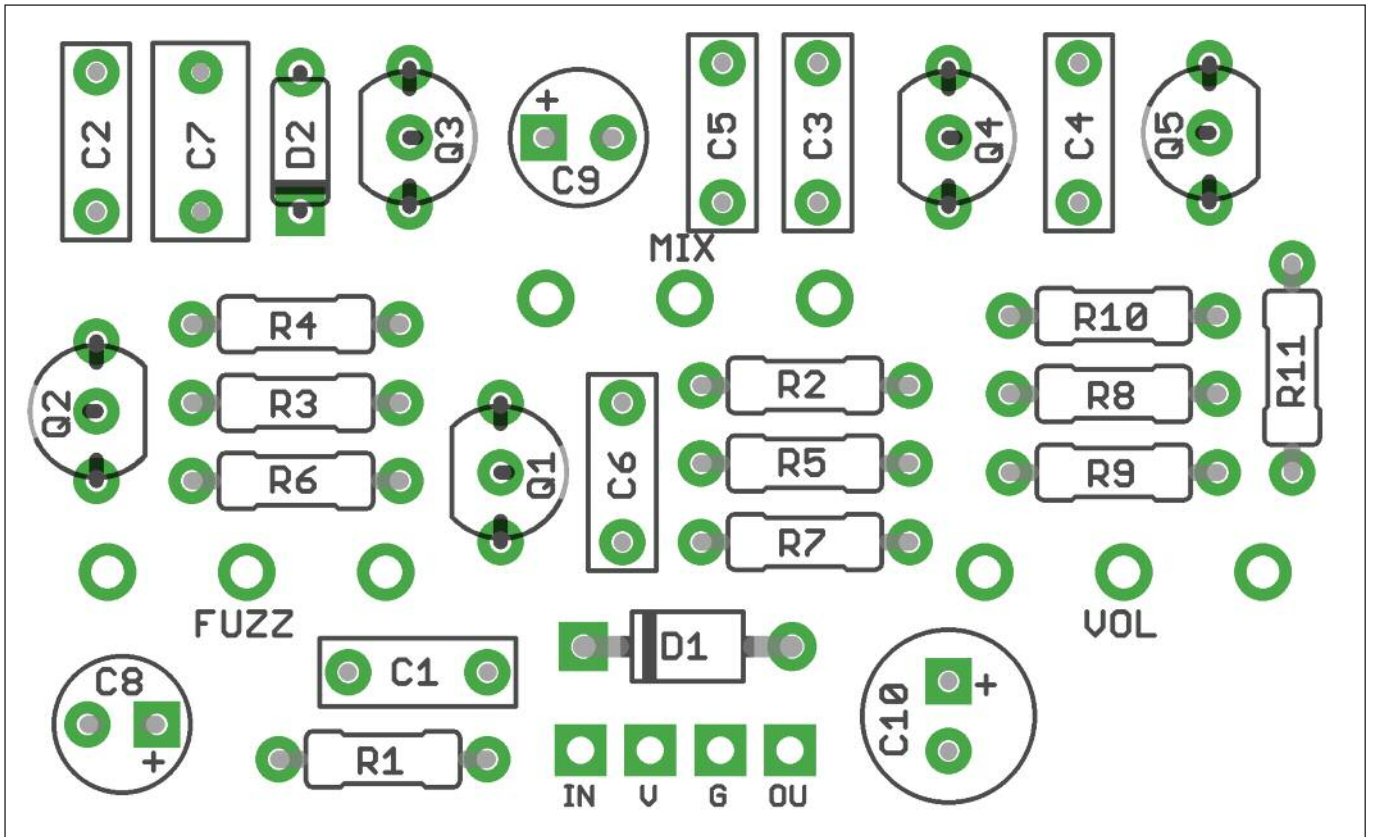


Schematic + BOM



R1	1M	C1	100n	D1	1N5817
R2	1M	C2	100n	D2	1N4148
R3	220K	C3	100n	Q1-4	2N5089
R4	10K	C4	100n	FUZZ	2KC
R5	3M3	C5	100n	MIX	1MB
R6	10K	C6	100n	VOL	100KA
R7	47K	C7	470n		
R8	10K	C8	10u elec		
R9	100K	C9	100n		
R10	100K	C10	100u elec		
R11	10K				





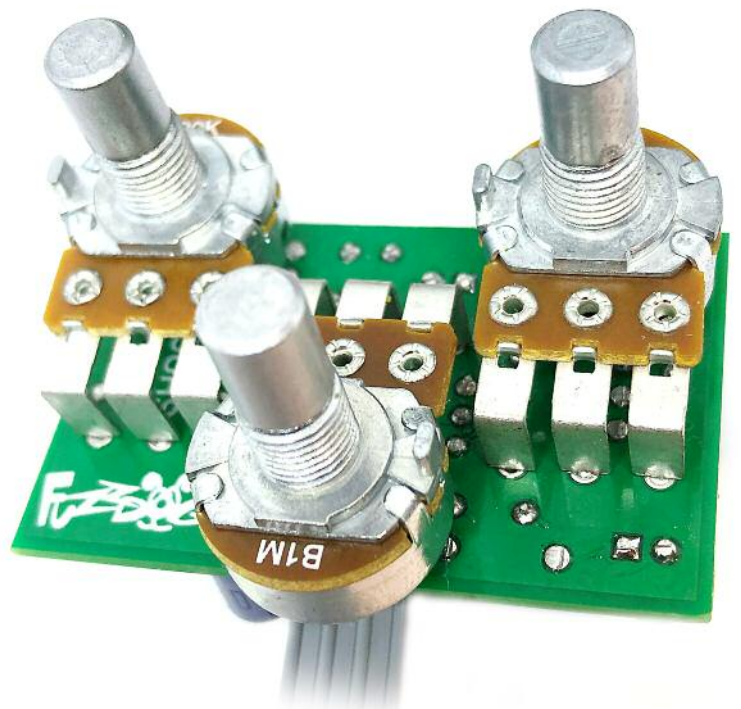
Snap the small metal tag off the pots so they can be mounted flush in the box.

You should solder all other board-mounted components before you solder the pots.

Once they're in place you'll have no access to much of the board.

C10

There's room to lay this flat on the PCB if you prefer a little more clearance in the enclosure.



Drilling template

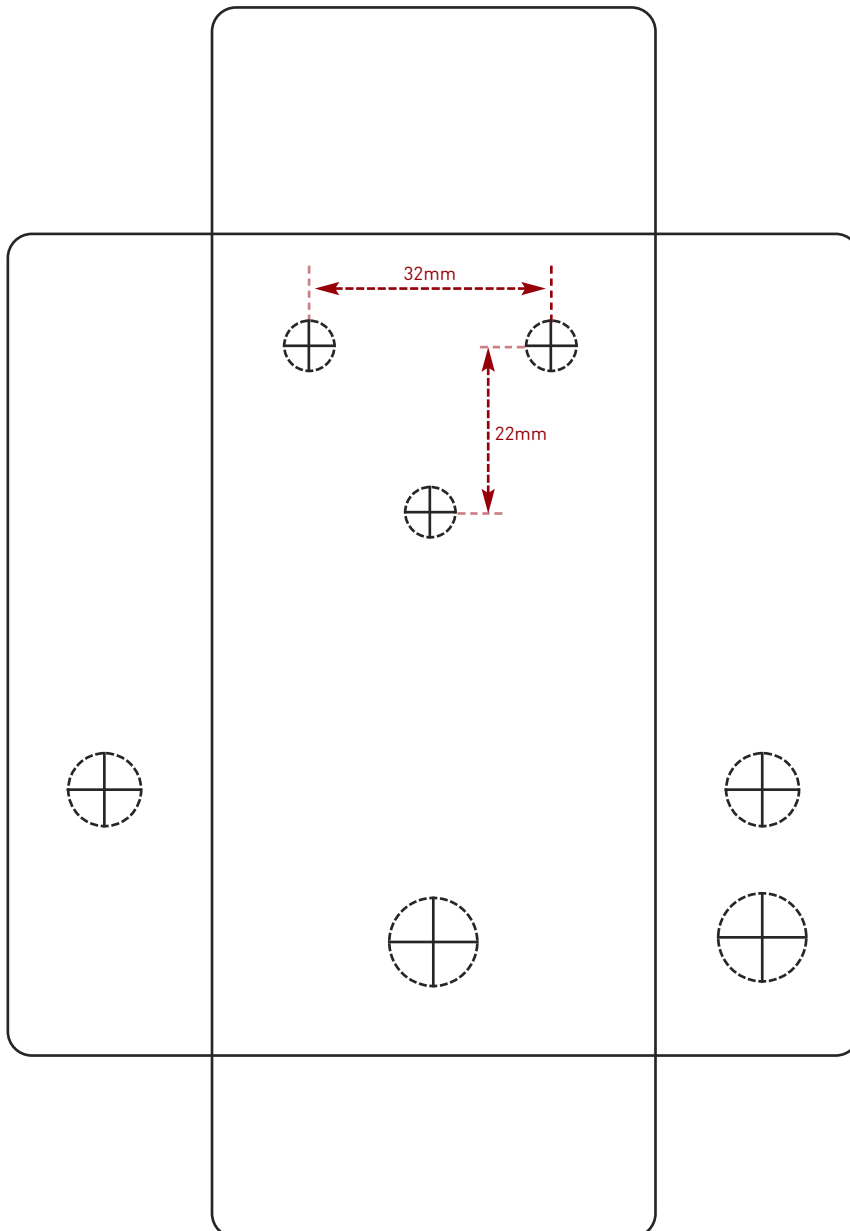
Hammond 1590B - 60 x 111 x 31mm

Drill sizes listed are minimum.

It's a good idea to add 1mm to anything mounted on the PCB that'll poke through the front of the enclosure.

Drill sizes:

Pots	7mm
Jacks	10mm
Footswitch	12mm
DC Socket	12mm
Toggle switches	6mm
Rotary switches	10mm



This template is a rough guide only. You should ensure correct marking of your enclosure before drilling. You use this template at your own risk.

Pedal Parts Ltd can accept no responsibility for incorrect drilling of enclosures.

FuzzDog.co.uk