

# Salon

FET-based box of fabulous

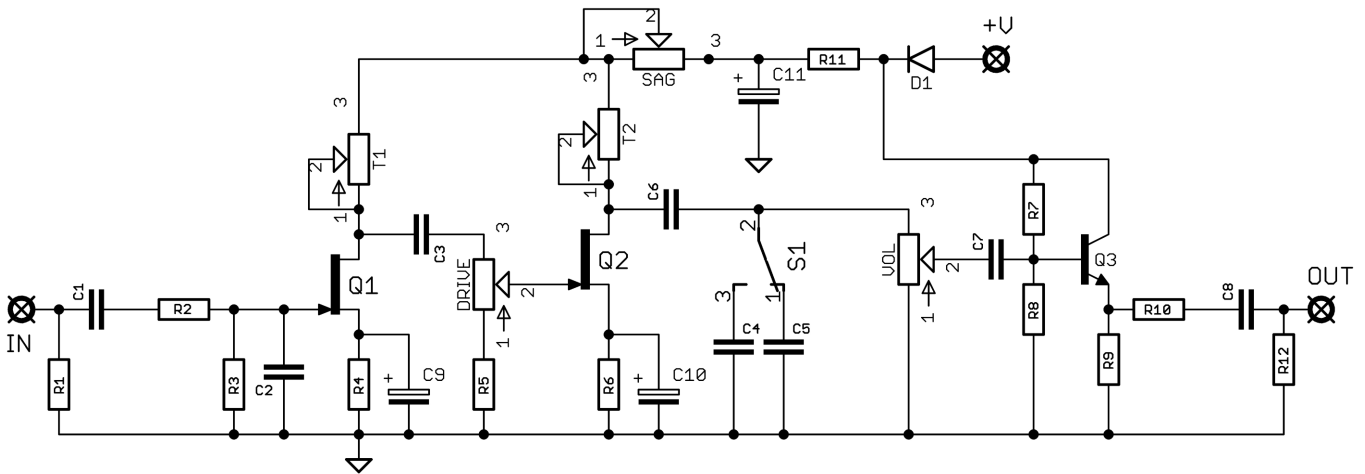


Before you dig in, ensure you download and read the **General Build Guide**.

It contains all the information you need for a successful outcome.

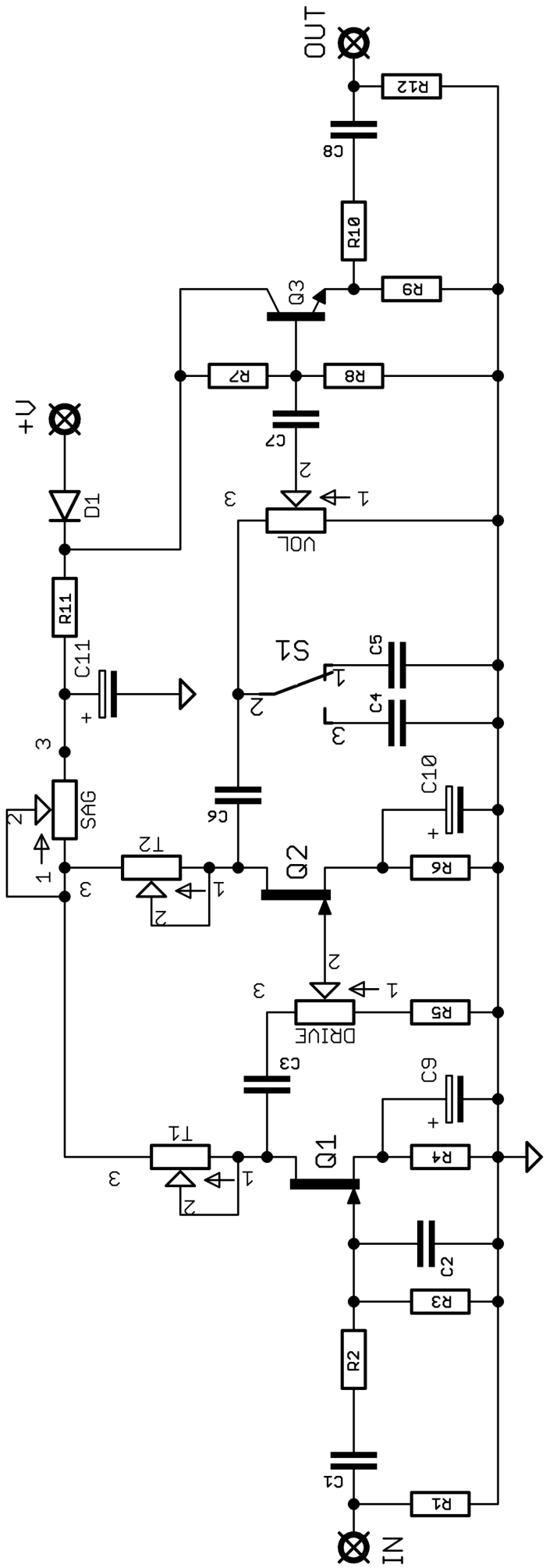


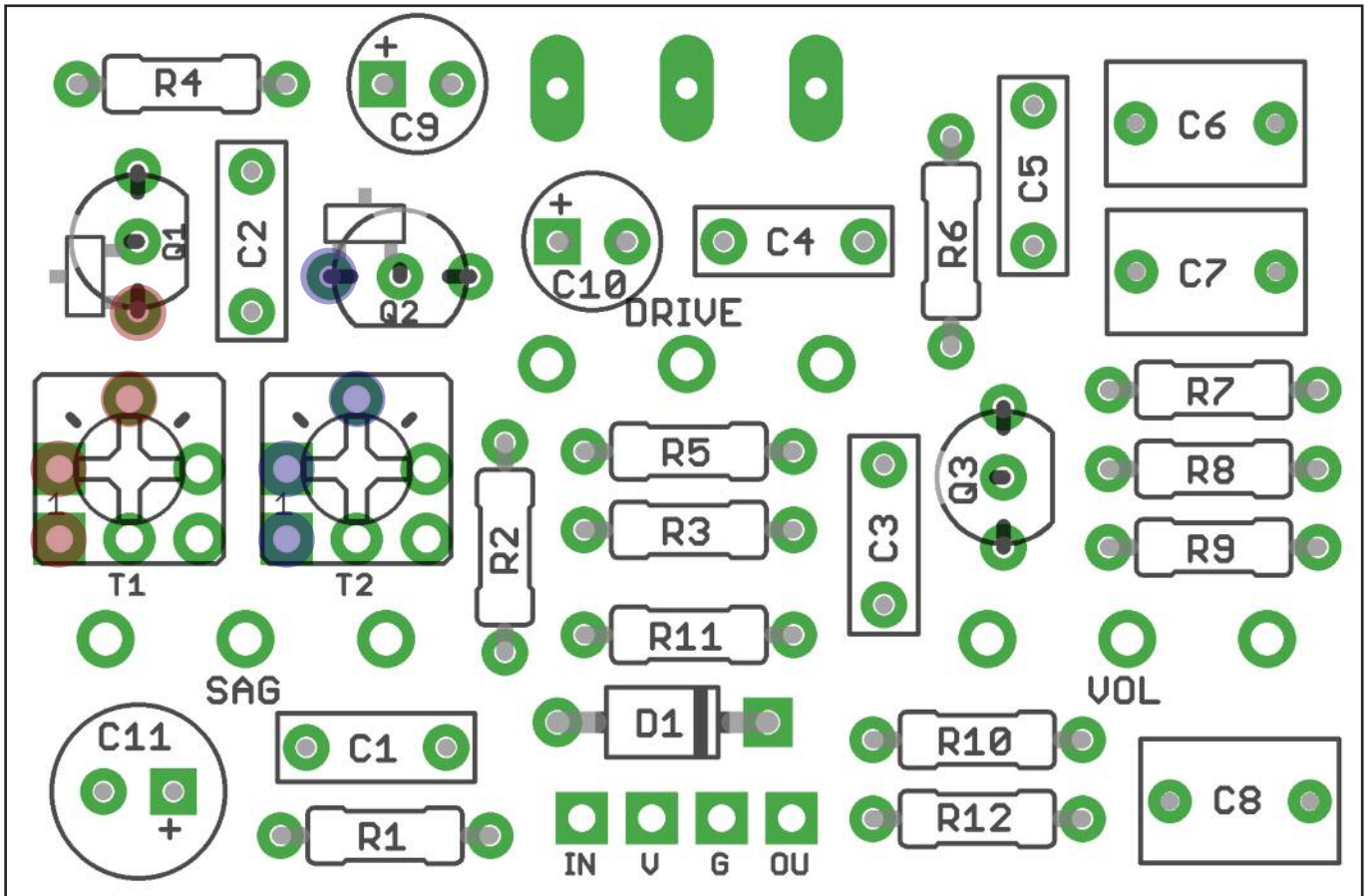
# Schematic + BOM



R1	2M2	C1	10n	Q1-2	J201 / MMBF201*
R2	33K	C2	100p	Q3	PN2222A
R3	2M2	C3	100n	D1	1N5817
R4	1K	C4	47n	DRIVE	100KA
R5	5K1	C5	10n	SAG	10KB
R6	1K	C6	1u	VOL	100KA
R7	330K	C7	1u	T1-2	50K Trimmers
R8	1M	C8	1u	S1	SPDT ON-OFF-ON
R9	10K	C9	22u elec		
R10	1K	C10	22u elec		
R11	47R	C11	100u elec		
R12	330K				

\*Pads provided for through-hole or SMT parts for Q1-2.





Snap the small metal tag off the pots so they can be mounted flush in the box.

You should solder all other board-mounted components before you solder the pots.

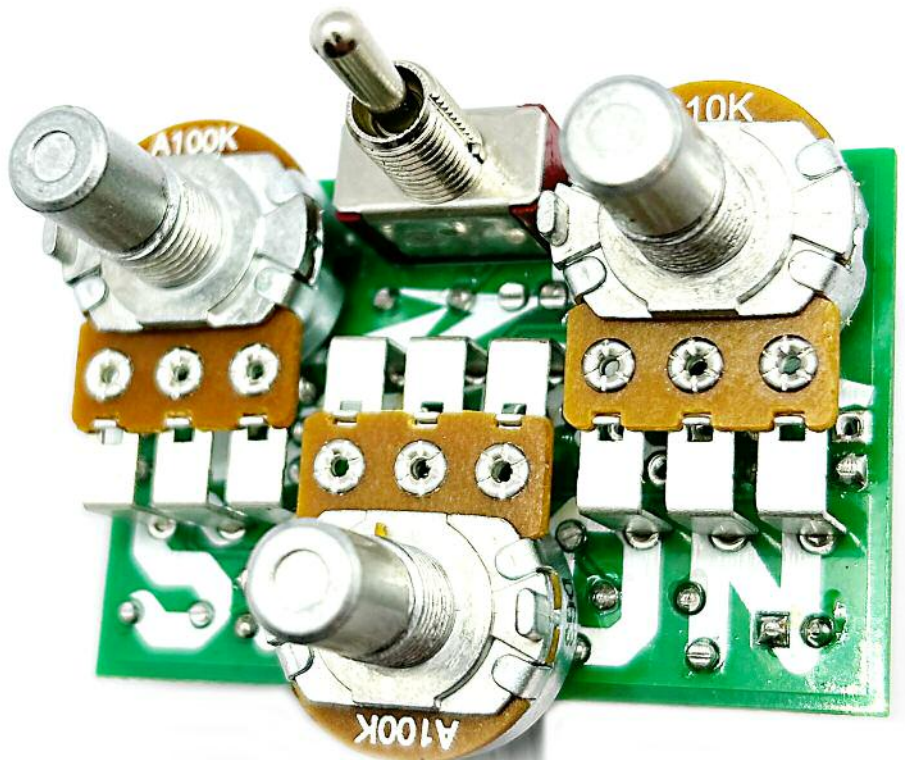
## BIASING

You'll need a multimeter set to DC Voltage.

Turn your SAG pot fully clockwise.

Common pin of meter on any ground point. + pin of meter on any of the pads marked above in red. Now adjust the trimmer until you get around 6V. Do the same with T2/blue pads.

It's not essential to hit exactly 6V. You may prefer it a little over or under. Use your ears.



# Drilling template

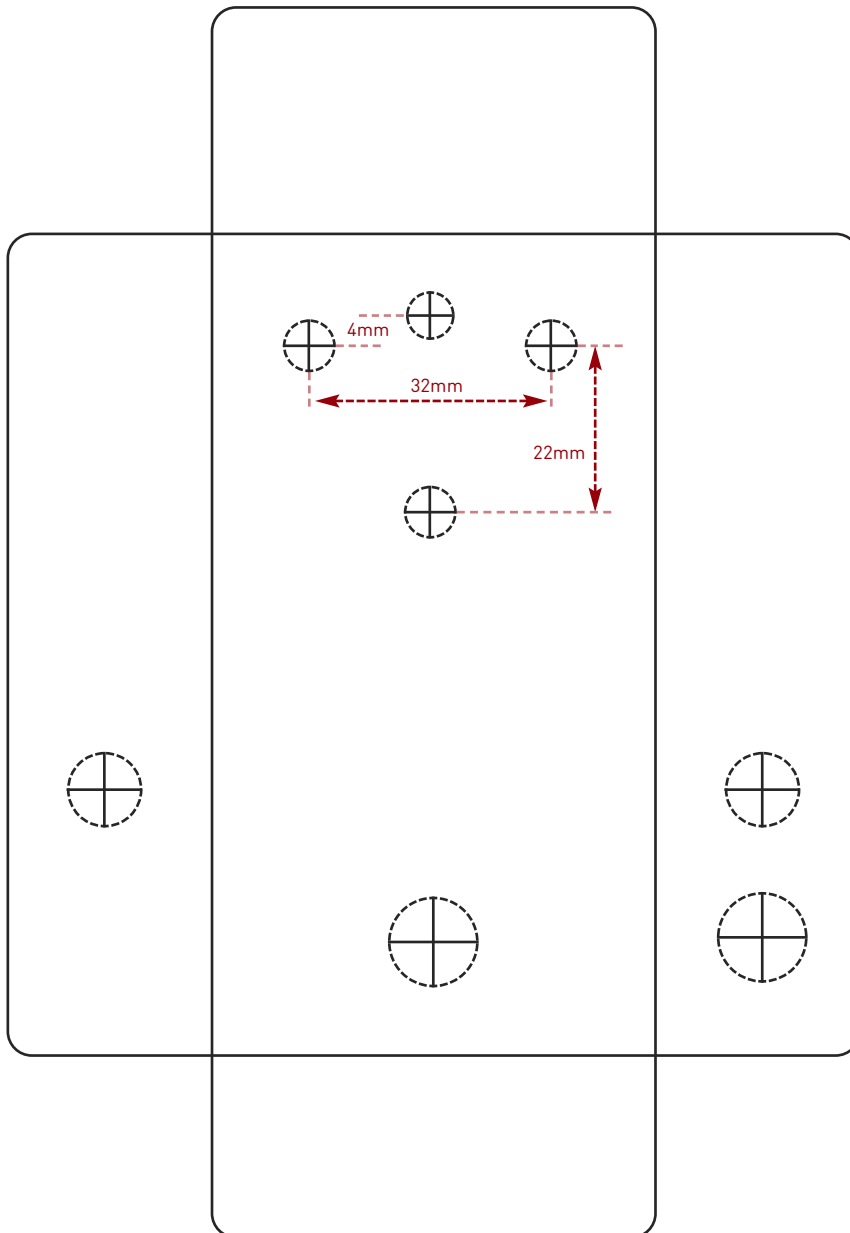
**Hammond 1590B - 60 x 111 x 31mm**

Drill sizes listed are minimum.

It's a good idea to add 1mm to anything mounted on the PCB that'll poke through the front of the enclosure.

Drill sizes:

Pots	7mm
Jacks	10mm
Footswitch	12mm
DC Socket	12mm
Toggle switches	6mm
Rotary switches	10mm



This template is a rough guide only. You should ensure correct marking of your enclosure before drilling. You use this template at your own risk.

Pedal Parts Ltd can accept no responsibility for incorrect drilling of enclosures.

[FuzzDog.co.uk](http://FuzzDog.co.uk)