

# Reptilian Queen

Octave-up fuzz fun



# Important notes - DO NOT SKIP!

If you're using any of our footswitch daughterboards,

## DOWNLOAD THE DAUGHTERBOARD DOCUMENT

- Download and read the appropriate build document for the daughterboard as well as this one **BEFORE** you start the build.
- DO NOT solder the supplied Current Limiting Resistor (CLR) to the main circuit board even if there is a place for it. This should be soldered to the footswitch daughterboard. This applies to older PCBs with a pad marked LED next to the IN V G OU pads.

## POWER SUPPLY

Unless otherwise stated in this document this circuit is designed to be powered with 9V DC Tip-Negative supply.

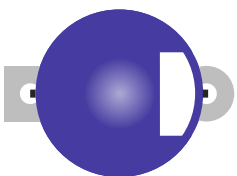
## COMPONENT SPECS

Unless otherwise stated in this document:

- Resistors should be 0.25W. You can use those with higher ratings but check the physical size of them. For kits that use 3mm resistors instead of standard 6mm, these will usually be either 0.125W or 0.4W.
- Electrolytics caps should be at least 25V for 9V circuits, 35V for 18V circuits. Again, check physical size if using higher ratings.

## LAYOUT CONVENTIONS

Unless otherwise stated in this document, the following are used:



### Electrolytic capacitors:

Long leg (anode) to square pad. Stripe indicates cathode.



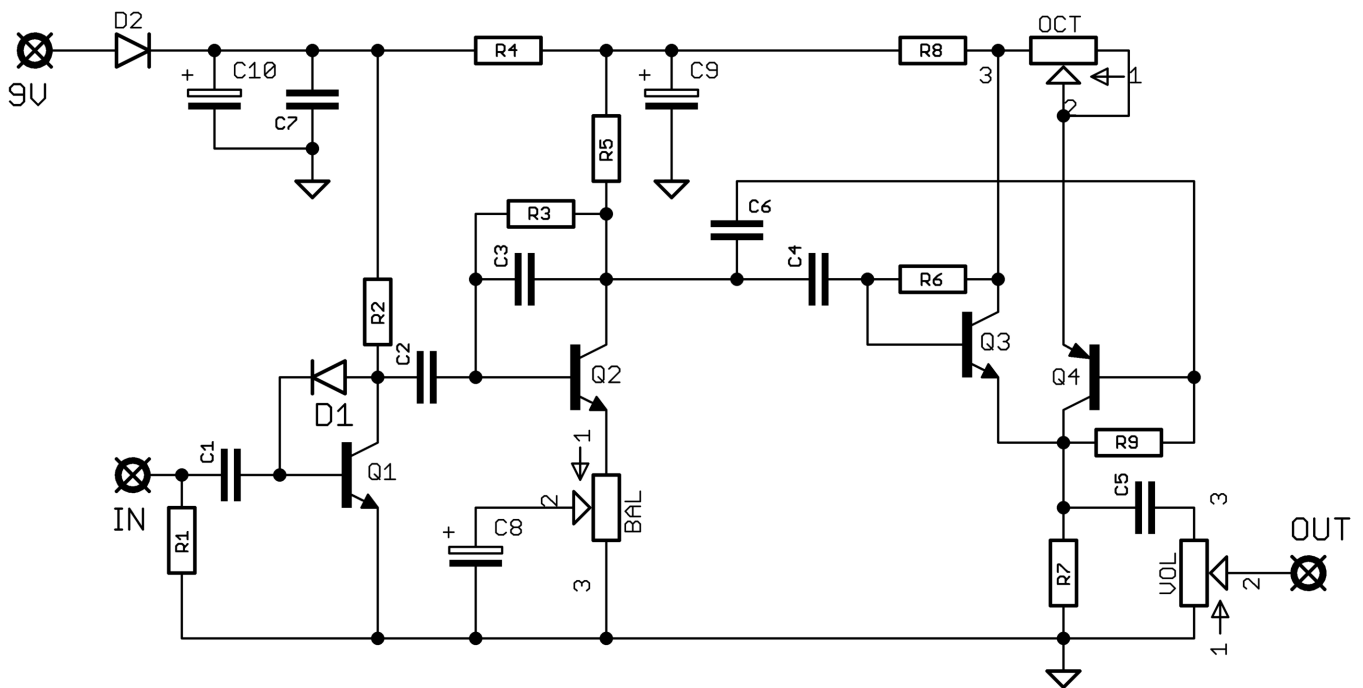
### Diodes/LEDs:

Striped leg (cathode) to square pad. Short leg to square pad for LEDs. The exception to this is with Russian germanium diodes - stripe = anode.

- **ICs:**

Square pad indicates pin 1.

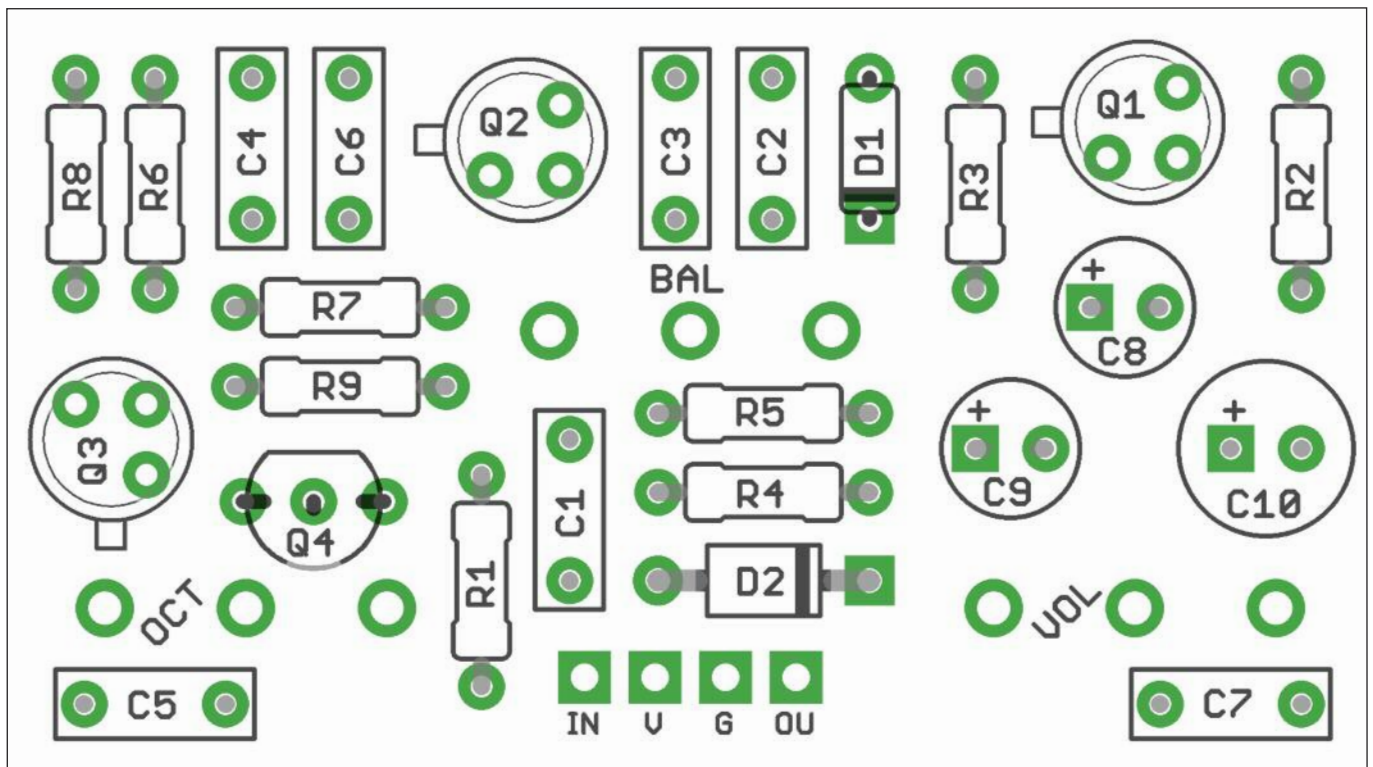
# Schematic + BOM



R1	1M	C1	100n	D1	1N4148
R2	100K	C2	100n	D2	1N5817
R3	1M	C3	47p	Q1	2N2222
R4	470R	C4	100n	Q2	2N5088
R5	10K	C5	100n	Q3	2N2222
R6	470K	C6	100n	Q4	2N3906
R7	10K	C7	100n	BAL	1KB (or C)
R8	10K	C8	10u elec	OCT	100KB
R9	470K	C9	10u elec	VOL	100KA
		C10	100u elec		

Feel free to play around with the transistors. Q1-3 are NPN, Q4 is PNP. 2N3904 will work well in Q3. We used the wrong footprint for Q2, so place it as shown in the cover image.

The BALANCE pot differs between the big box and nano versions. We think linear works better. This control changes with the amount of OCTAVE dialled in, so play around with your settings.



The power and signal pads on the PCB conform to the FuzzDog Direct Connection format, so can be paired with the appropriate daughterboard for quick and easy offboard wiring. Check the separate daughterboard document for details.

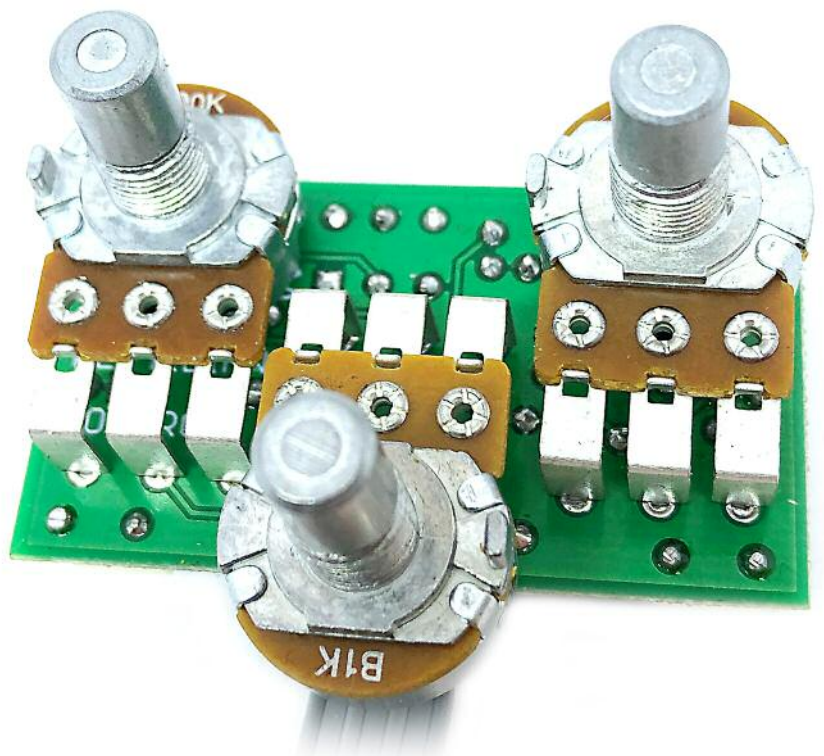
Be very careful when soldering the diode and transistors. They're very sensitive to heat. You should use some kind of heat sink (crocodile clip or reverse action tweezers) on each leg as you solder them. Keep exposure to heat to a minimum (under 2 seconds).

If using a ribbon cable you should solder it onto the component side of the PCB so it isn't interfering with the balance pot. Same goes for individual wires.

Snap the small metal tag off the pots so they can be mounted flush in the box.

You should solder all other board-mounted components before you solder the pots and switches. Once they're in place you'll have no access to much of the board. Make sure your pots all line up nicely.

The best way to do that is to solder a single pin of each pot in place then melt and adjust if necessary before soldering in the other two pins.



# Test the board!

**Check the relevant daughterboard document for more info before you undertake this stage.**

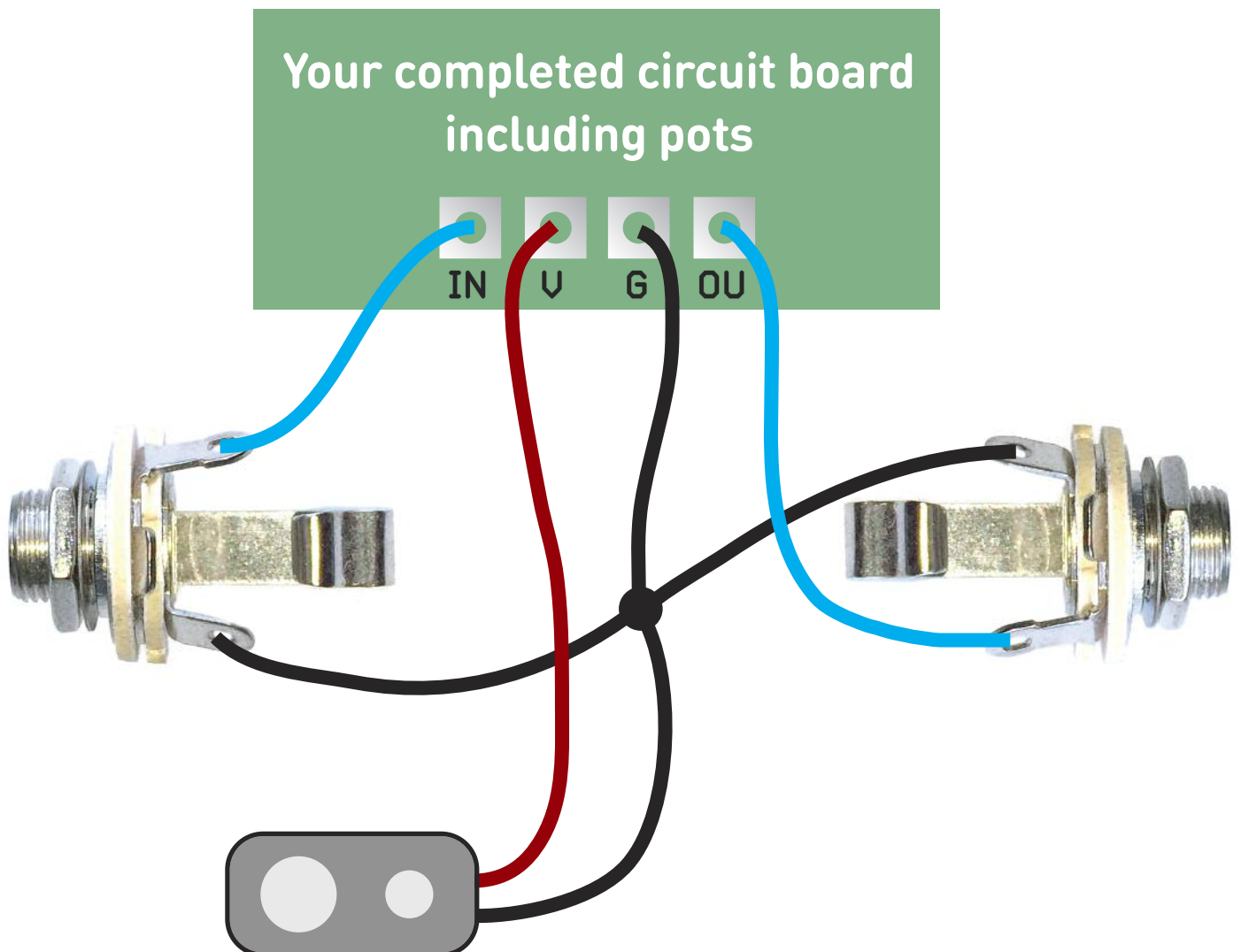
**UNDER NO CIRCUMSTANCES will troubleshooting help be offered if you have skipped this stage. No exceptions.**

Once you've finished the circuit it makes sense to test it before starting on the switch and LED wiring. It'll cut down troubleshooting time in the long run. If the circuit works at this stage, but it doesn't once you wire up the switch - guess what? You've probably made a mistake with the switch.

Solder some nice, long lengths of wire to the board connections for 9V, GND, IN and OUT. Connect IN and OUT to the jacks as shown. Connect all the GNDs together (twist them up and add a small amount of solder to tack it). Connect the battery + lead to the 9V wire, same method. Plug in. Go!

If you're using a ribbon cable you can tack the wires to the ends of that. It's a lot easier to take them off there than it is to desolder wires from the PCB pads.

If it works, carry on and do your switch wiring. If not... aw man. At least you know the problem is with the circuit. Find out why, get it working, THEN worry about the switch etc.



Now's the time  
to refer to the  
daughterboard  
document for  
your chosen  
bypass method.

Enjoy your pedal!

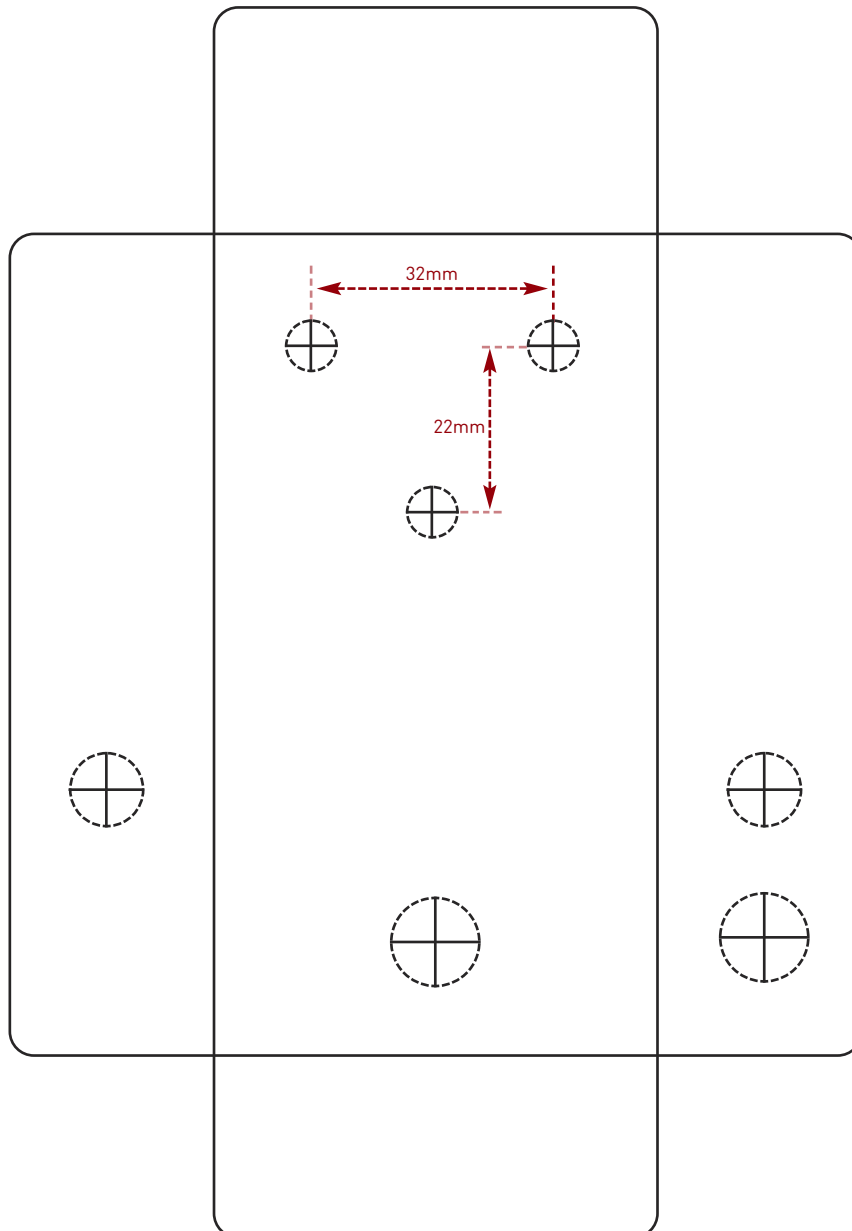
# Drilling template without battery - side DC

Hammond 1590B - 60 x 111 x 31mm

It's a good idea to drill the pot and  
toggle switch holes 1mm bigger if  
you're board-mounting them.  
Wiggle room = good!

Recommended drill sizes:

Pots	7mm
Jacks	10mm
Footswitch	12mm
DC Socket	12mm
Toggle switches	6mm



This template is a rough guide only. You should ensure correct marking of your enclosure before drilling. You use this template at your own risk.

Pedal Parts Ltd can accept no responsibility for incorrect drilling of enclosures.

FuzzDog.co.uk