

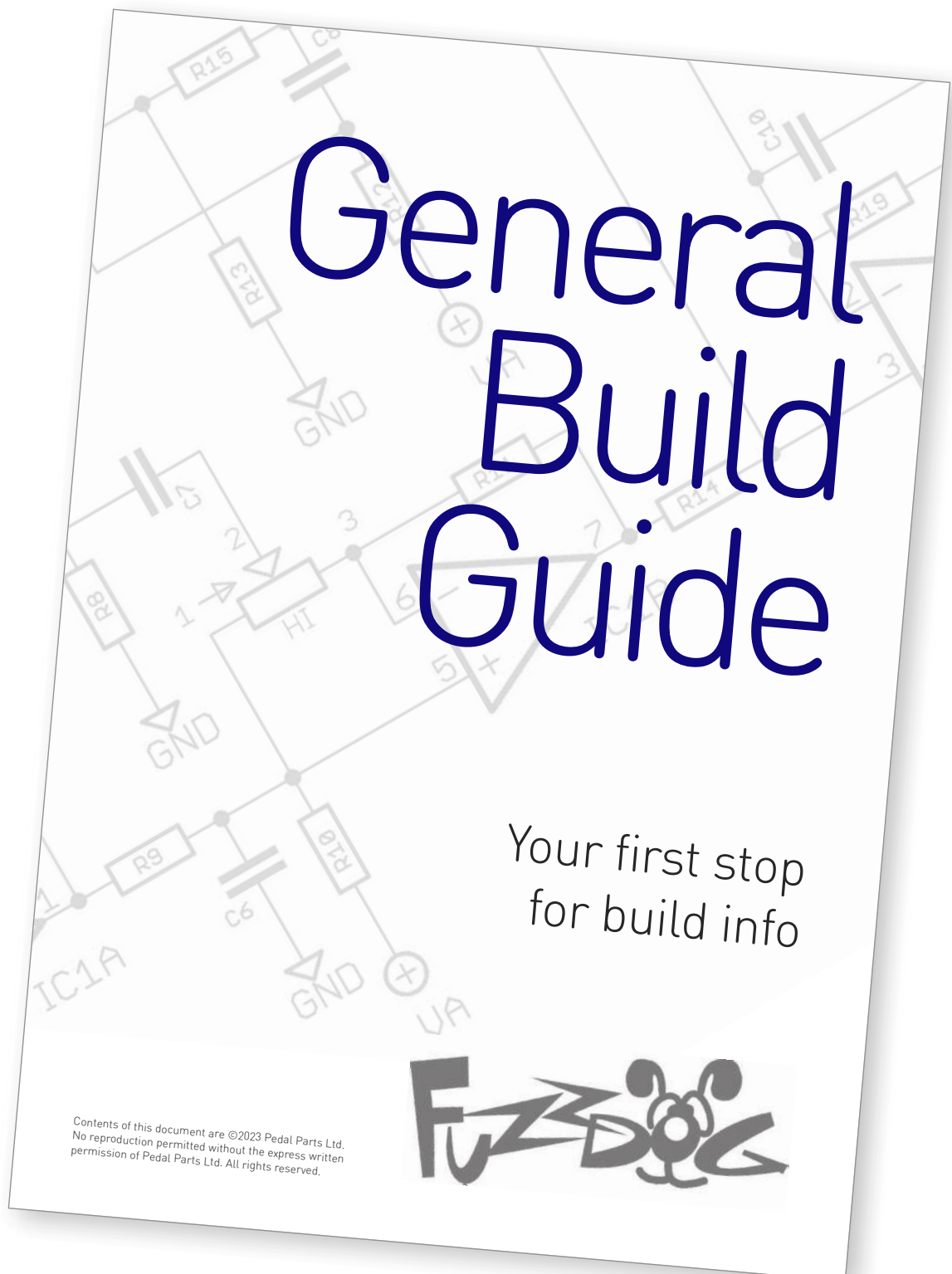
Red Spike

The Silicon Dream Crusher
half of the Spires

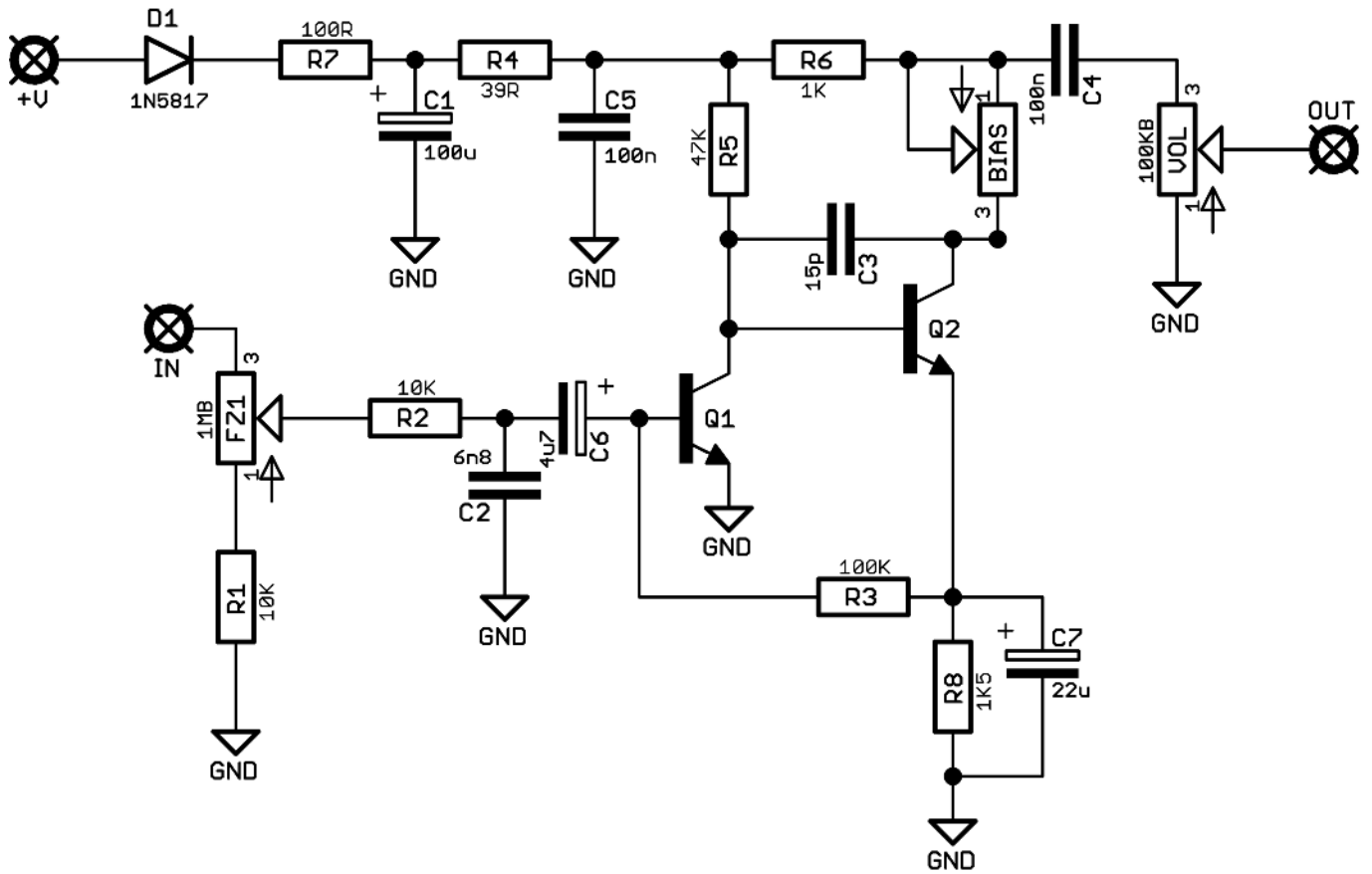


Before you dig in, ensure you download and read the **General Build Guide**.

It contains all the information you need for a successful outcome.



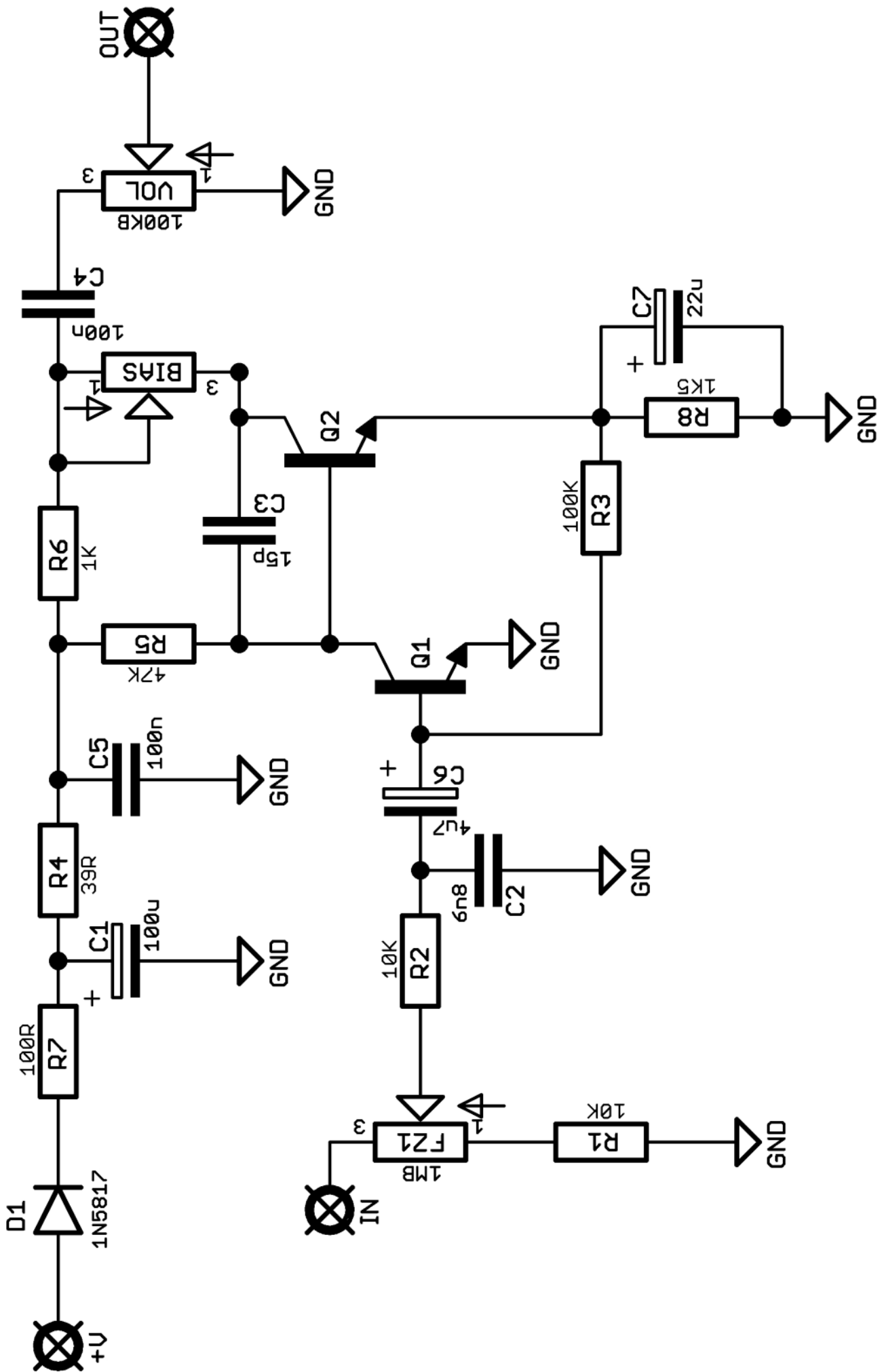
Schematic + BOM

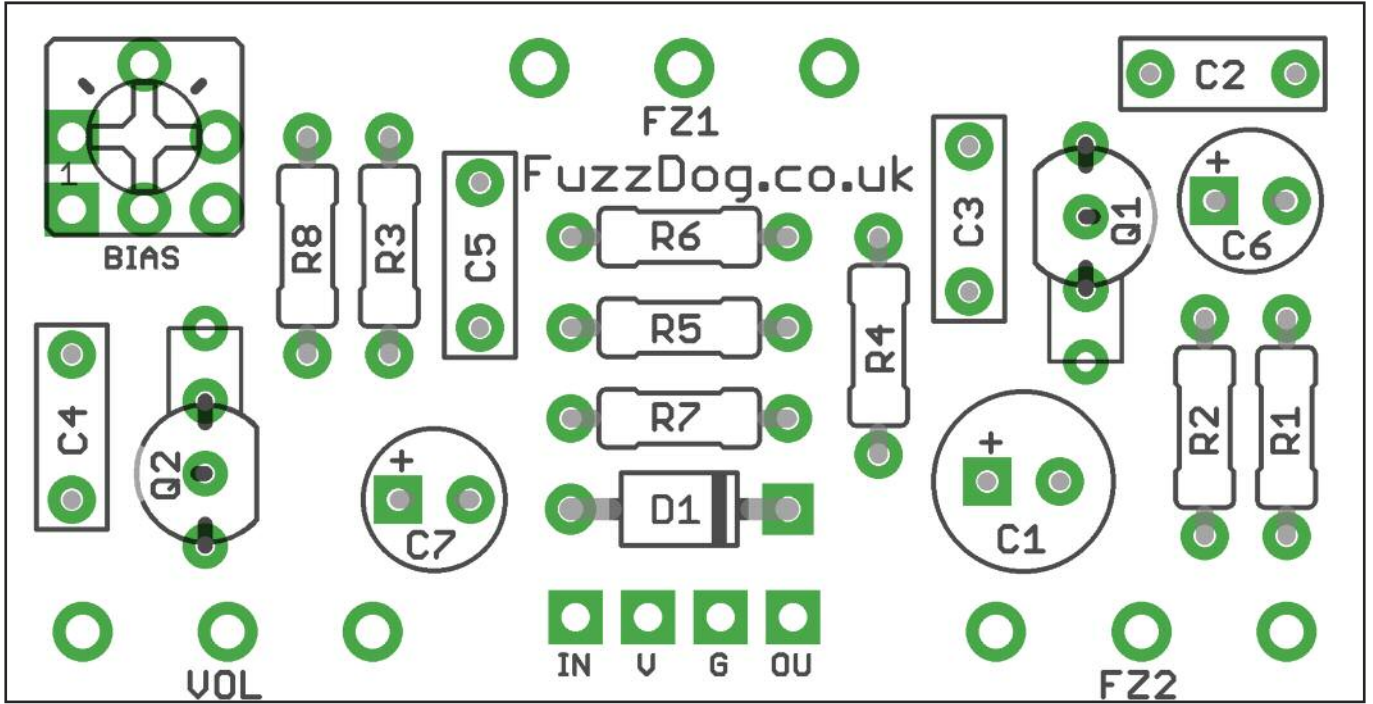


R1	10K	C1	100u elec	D1	1N5817
R2	10K	C2	6n8	Q1-2	MPS3704*
R3	100K	C3	15p	FUZZ	1MB
R4	39R	C4	100n	VOL	100KB
R5	47K	C5	100n	BIAS	20K trimmer
R6	1K	C6	4u7 elec		
R7	100R	C7	22u elec		
R8	1K5				

*Q1-2 have extra pads to accommodate non-standard BCE pinouts, as we thought MPS3704 were produced in this format as well as EBC. Turns out it was 2N3704 that were non-standard. Ignore the extra pad. Place your transistors as shown in the cover image.

Why two sets of Fuzz pot pads? You can use the top one in a dual build in conjunction with the Green Spike, giving you a similar control layout to the original dual pedal.





Snap the small metal tags off the pots so they can be mounted flush in the box.

BIASING

Don't sweat the numbers. It's really easy to tune this by ear.

Turn the Fuzz control up and adjust until you get a balance of fuzz vs gating that you like the sound of.

Drilling template

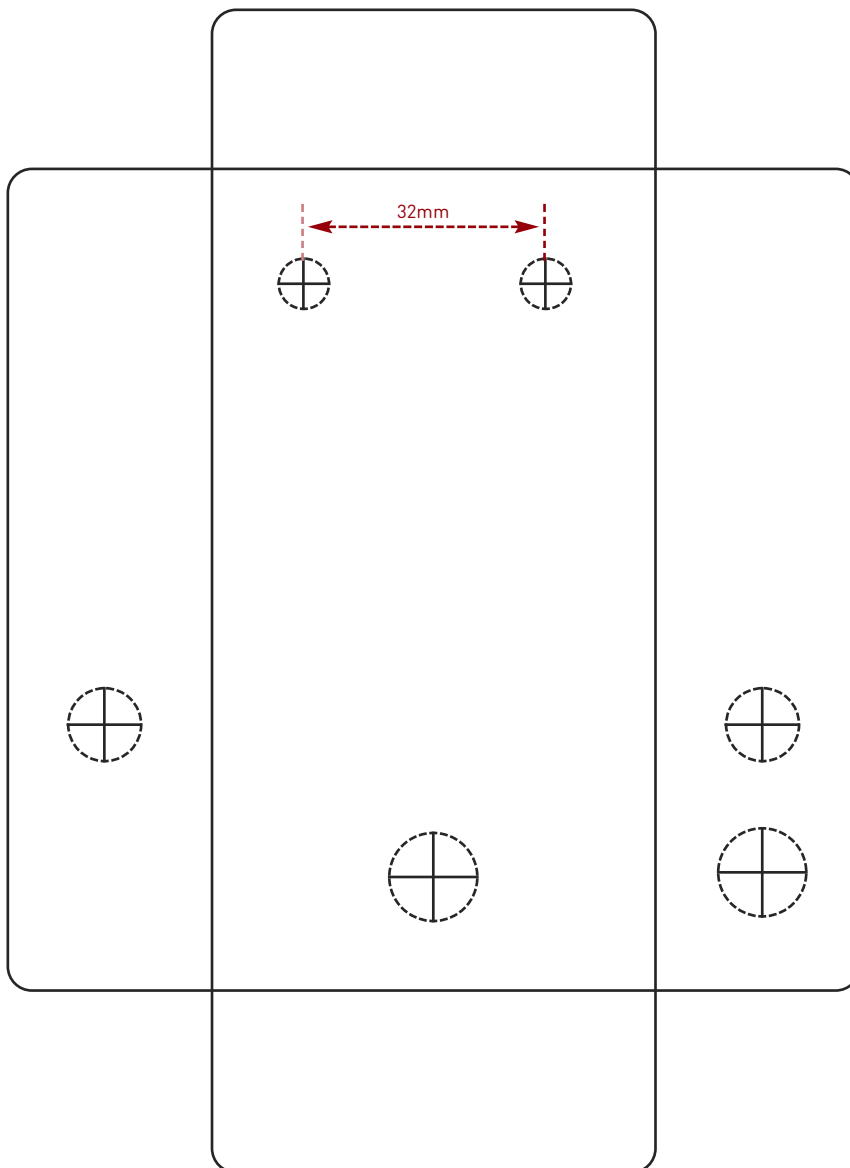
Hammond 1590B - 60 x 111 x 31mm

Drill sizes listed are minimum.

It's a good idea to add 1mm to anything mounted on the PCB that'll poke through the front of the enclosure.

Drill sizes:

Pots	7mm
Jacks	10mm
Footswitch	12mm
DC Socket	12mm
Toggle switches	6mm
Rotary switches	10mm



This template is a rough guide only. You should ensure correct marking of your enclosure before drilling. You use this template at your own risk.

Pedal Parts Ltd can accept no responsibility for incorrect drilling of enclosures.

FuzzDog.co.uk