

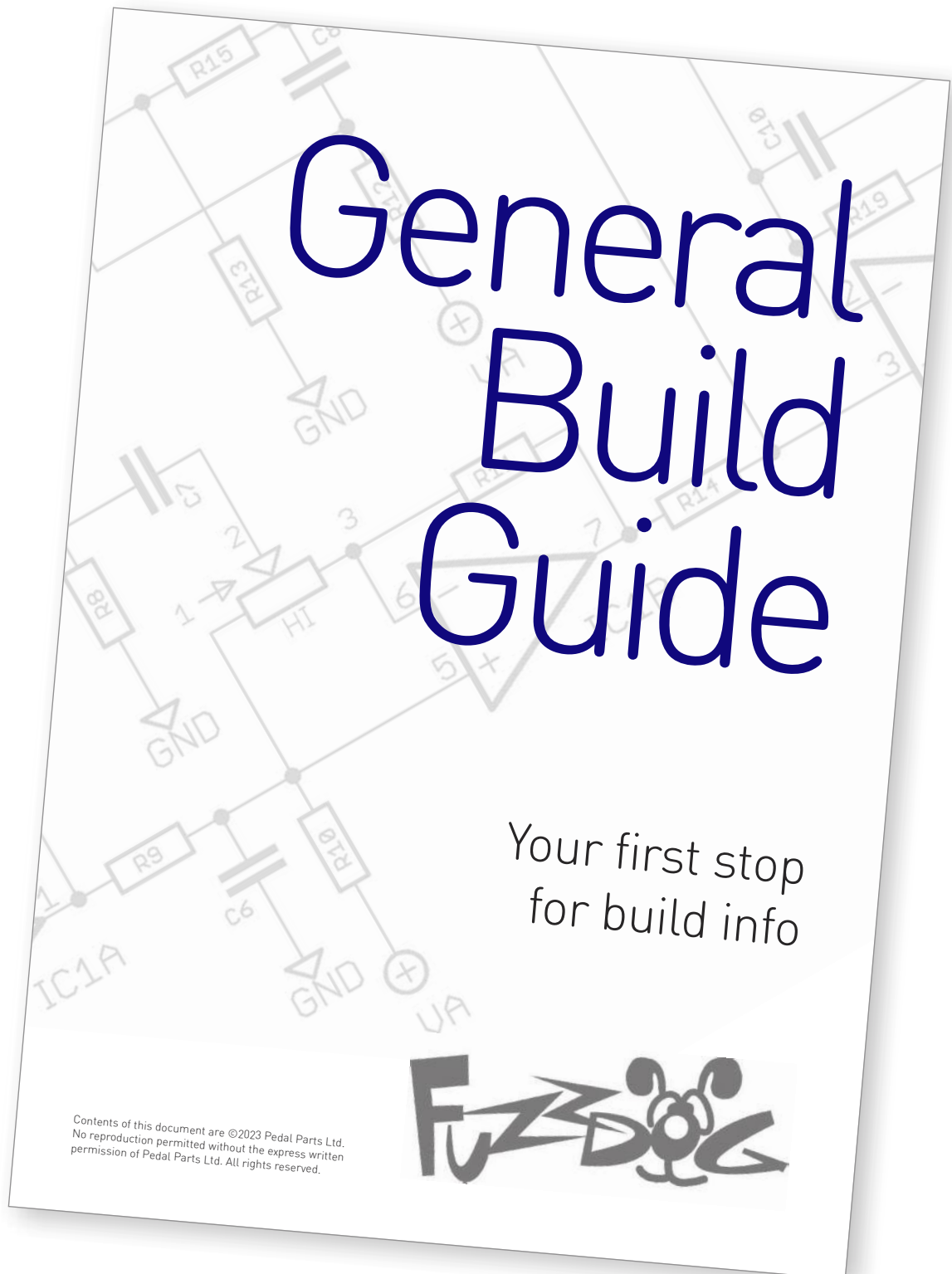
# Razorback

Glorious combo of a Boner  
pushing a tweaked Rat

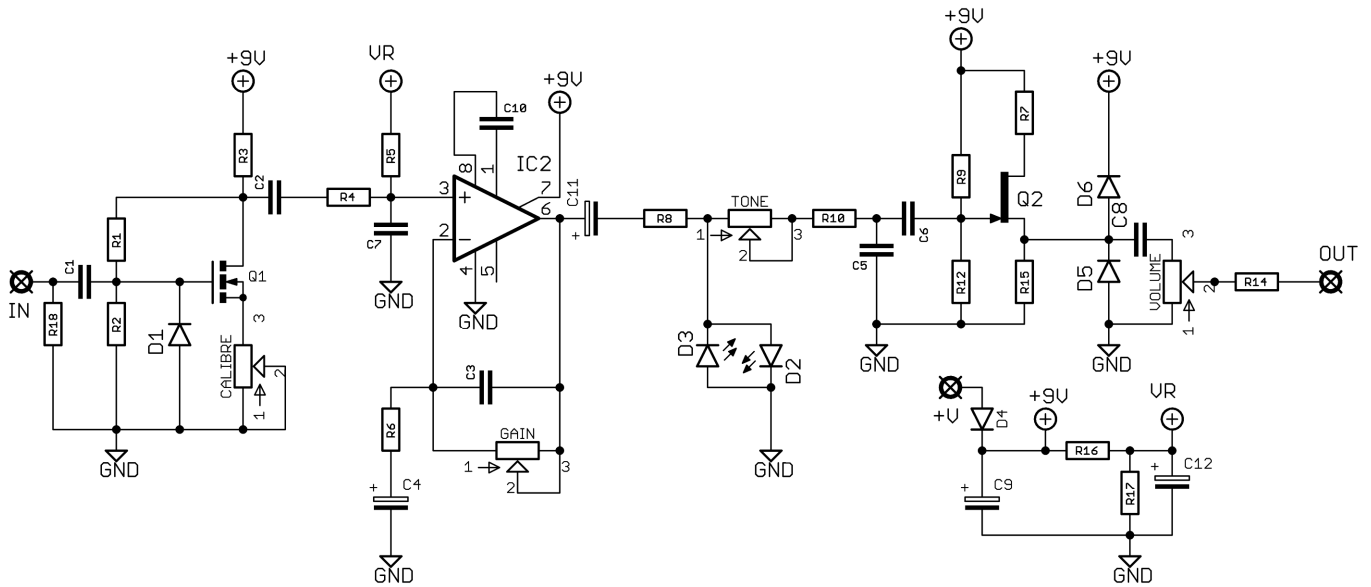


Before you dig in, ensure you download and read the **General Build Guide**.

It contains all the information you need for a successful outcome.

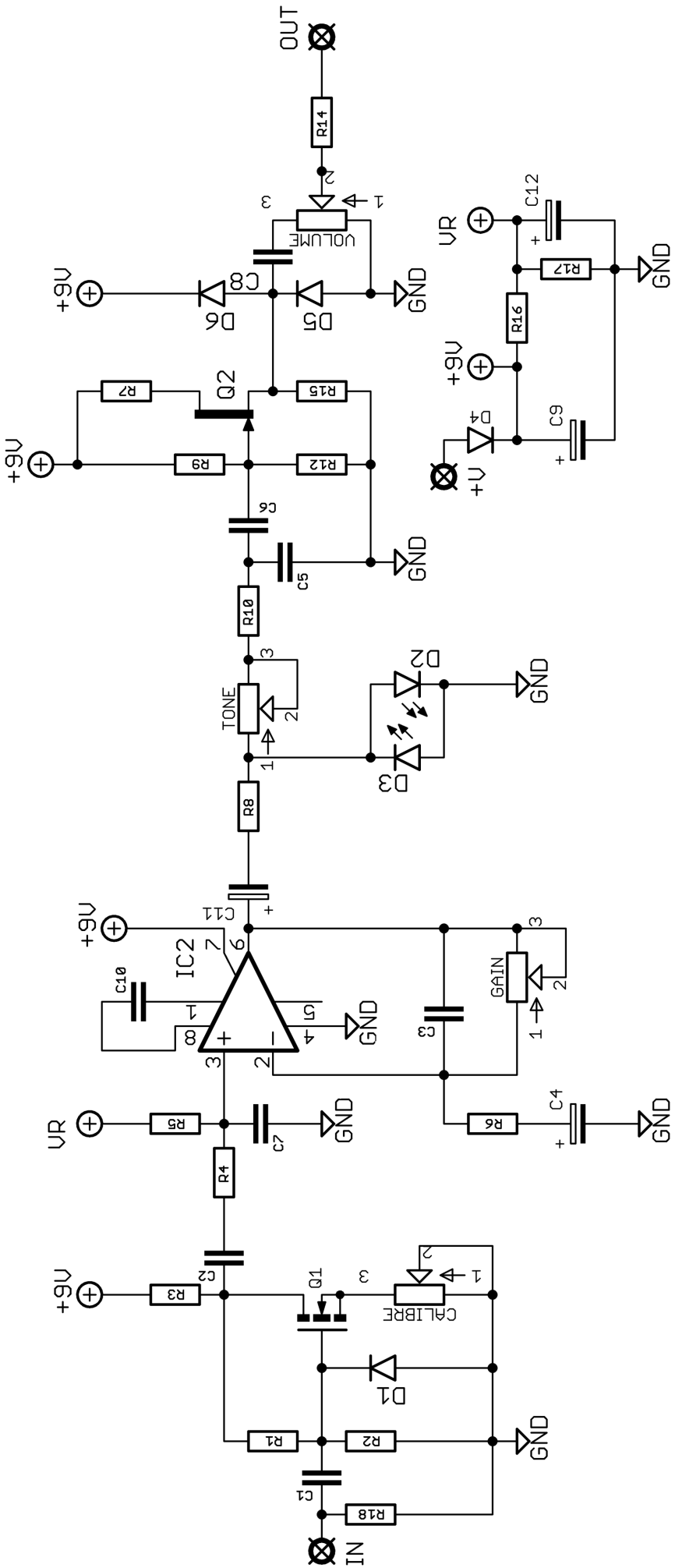


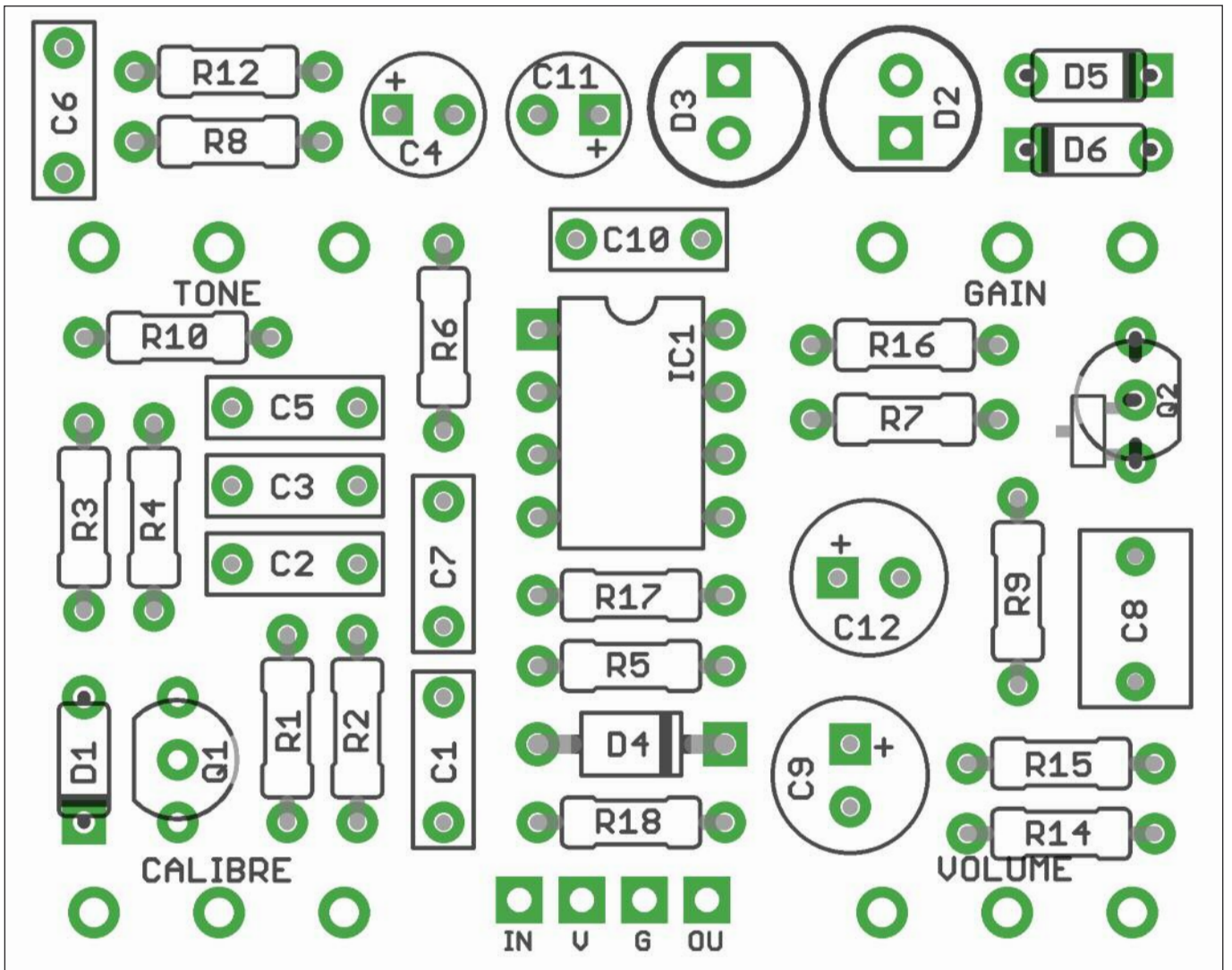
# Schematic + BOM



R1	10M	C1	100n	D1	9V1 Zener
R2	10M	C2	22n	D2-3	5mm Red LED
R3	5K1	C3	1n	D4	1N5817
R4	1K	C4	4u7 elec	D5-6	1N4148
R5	100K	C5	3n3	Q1	BS170
R6	560R	C6	22n	Q2	2N5457
R7	Jumper	C7	1n	IC1	OPA604AP*
R8	1K	C8	1u	VOL	100KA
R9	2M2	C9	100u elec	CALI	5KC
R10	1K5	C10	33p	GAIN	100KA
R12	1M8	C11	4u7 elec	TONE	100KA
R14	220R	C12	47u elec		
R15	10K				
R16	10K				
R17	10K				
R18	1M				

\*Unobtainium single op-amp. The usual Rat suspects will work fine. We settled on TL071, though there wasn't much in it.





Snap the small metal tag off the pots so they can be mounted flush in the box.

You should solder all other board-mounted components before you solder the pots.

Once they're in place you'll have no access to much of the board.



# Drilling template

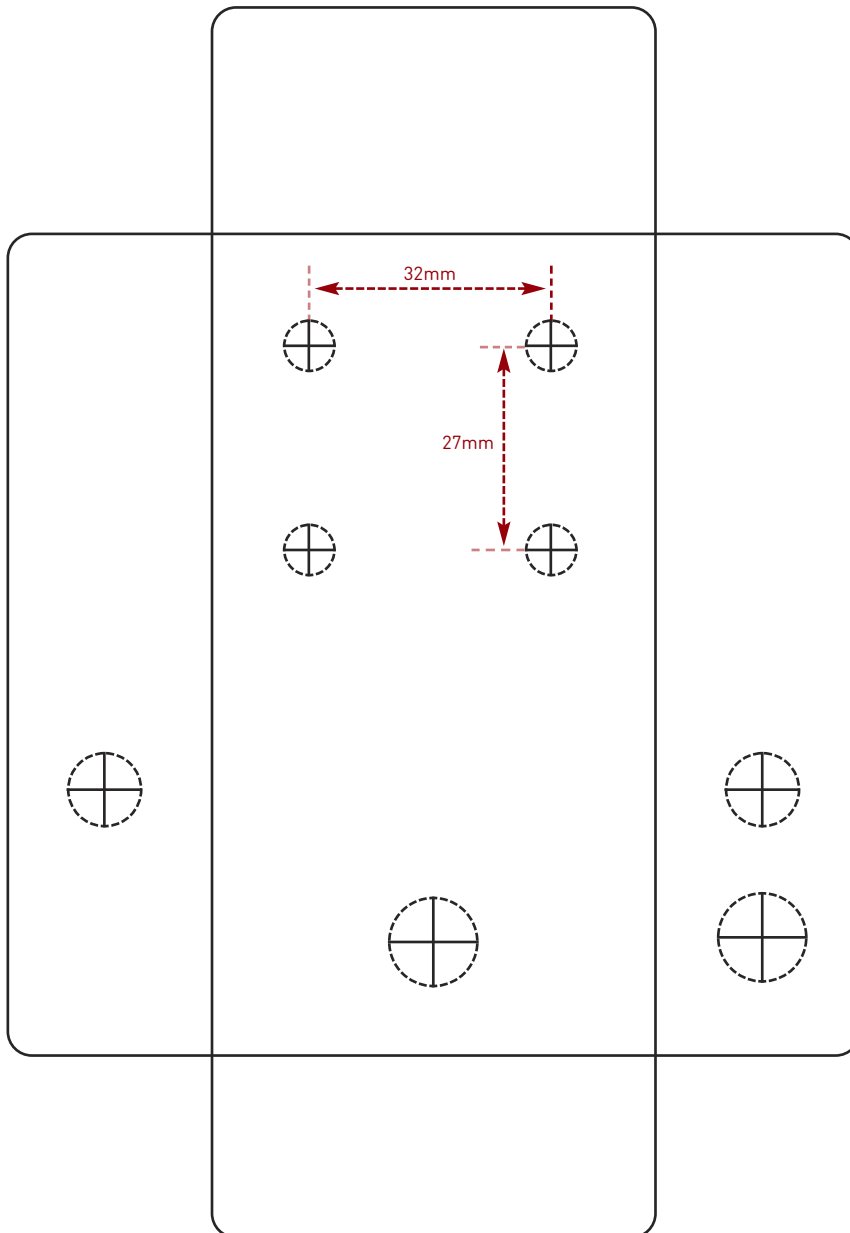
**Hammond 1590B - 60 x 111 x 31mm**

Drill sizes listed are minimum.

It's a good idea to add 1mm to anything mounted on the PCB that'll poke through the front of the enclosure.

Drill sizes:

Pots	7mm
Jacks	10mm
Footswitch	12mm
DC Socket	12mm
Toggle switches	6mm
Rotary switches	10mm



This template is a rough guide only. You should ensure correct marking of your enclosure before drilling. You use this template at your own risk.

Pedal Parts Ltd can accept no responsibility for incorrect drilling of enclosures.

FuzzDog.co.uk