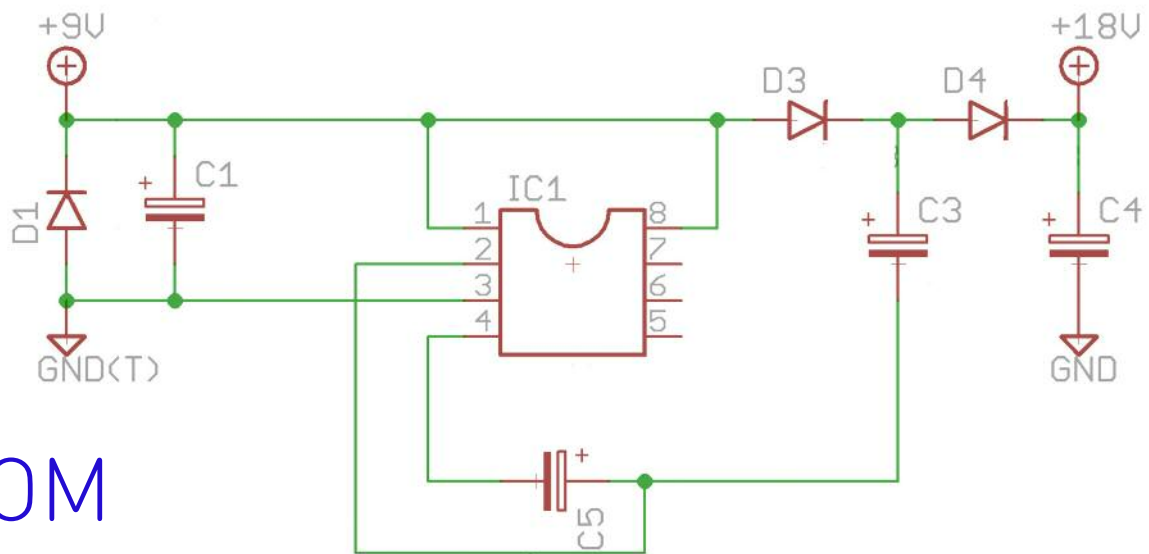


Power Pump

9V in, 18V or -9V out

PedalParts.co.uk

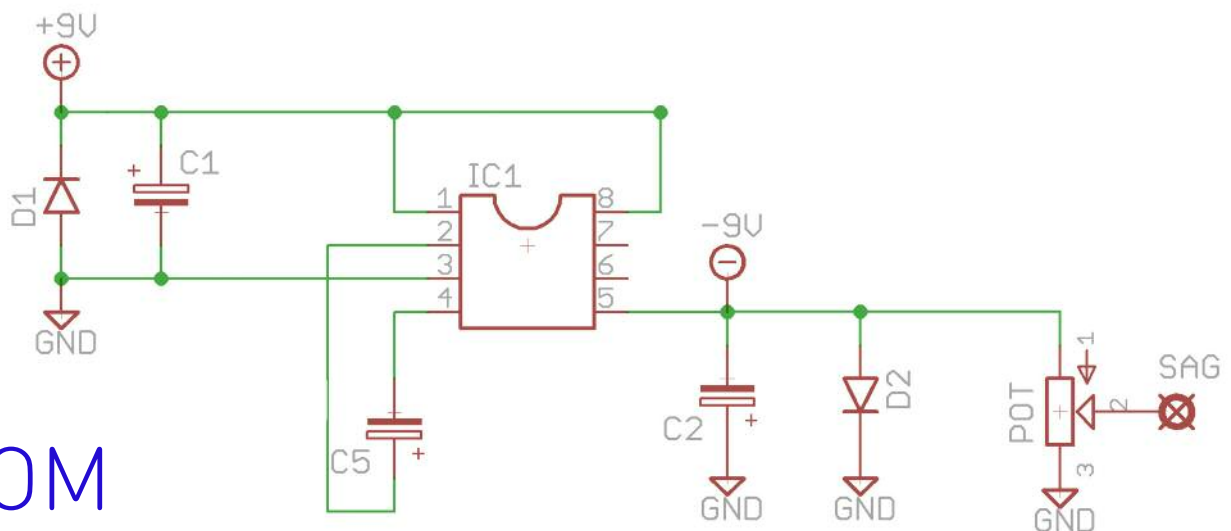
18V output



BOM

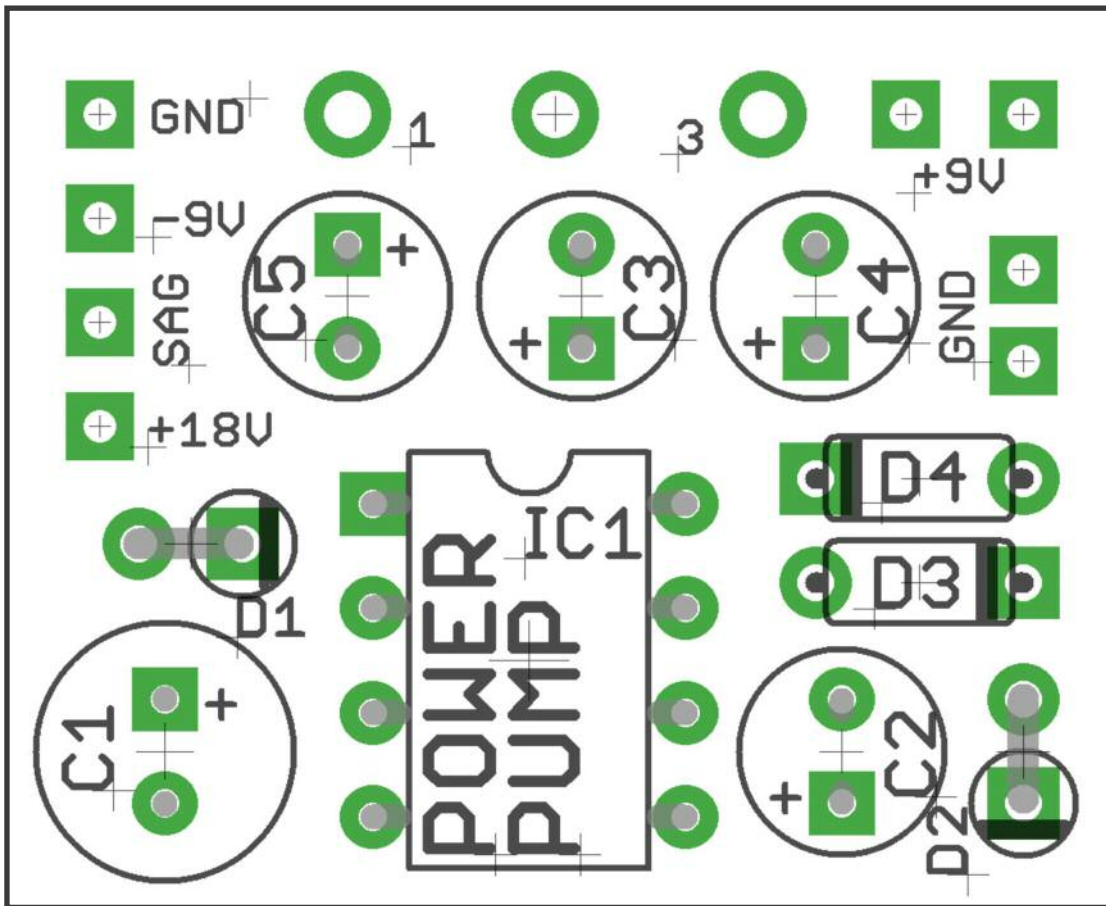
C1	100u elec	IC1	MAX1044, 7660S
C3	10u elec	D1	1N4001
C4	10u elec	D3,4	1N4148
C5	10u elec		

-9V output / Sagged



BOM

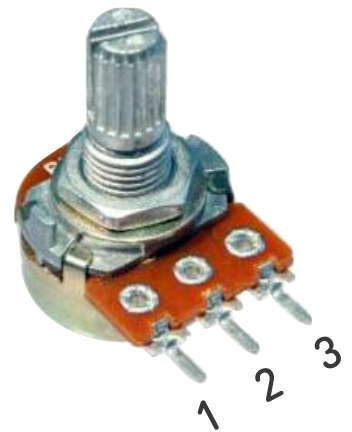
C1	100u elec	IC1	MAX1044, 7660S
C2	10u elec	D1	1N4001
C5	10u elec	D2	1N4148



The SAG pot (if you're using one) mounts directly to the PCB on the opposite side to the components.

Snap the little metal tag off the pot to mount it flush in your enclosure.

If you're using a SAG pot, take your -9V output wire from the SAG pad. Otherwise, take your -9V output from the -9V pad.



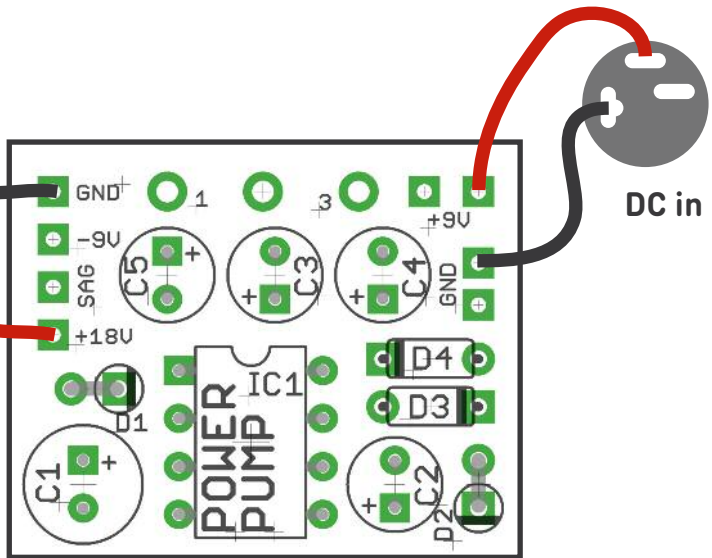
There are extra GND and +9V pads on the PCB. These are all directly connected, and are there for convenience for wiring multiple connections.

Different ICs will have different output currents, but they'll typically be around 20mA max, so it is unlikely you'll be able to power multiple circuits from one Power Pump.

Wiring it up

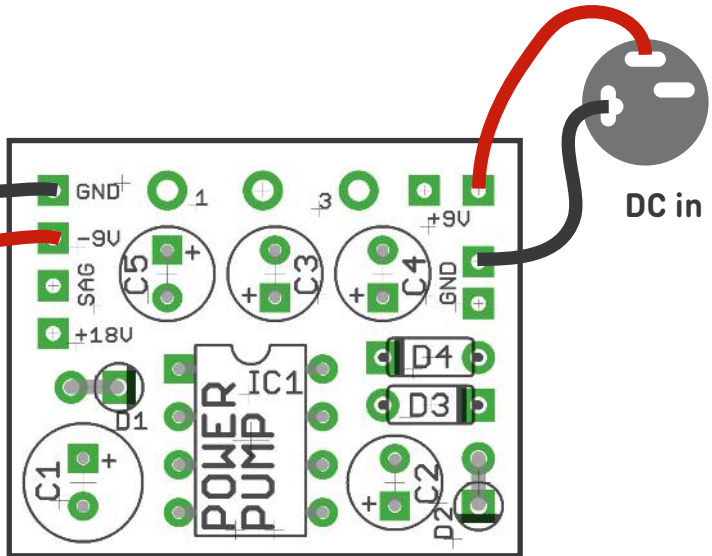
Power-hungry circuit requiring 18V supply

GND
18V



Circuit that wants a posi-ground supply

GND
-9V



For posi-ground circuits, do the rest of the wiring following standard negative-ground guidelines. Your GND supply is standard.

Circuit that wants a posi-ground supply you want to sag

GND
-9V

