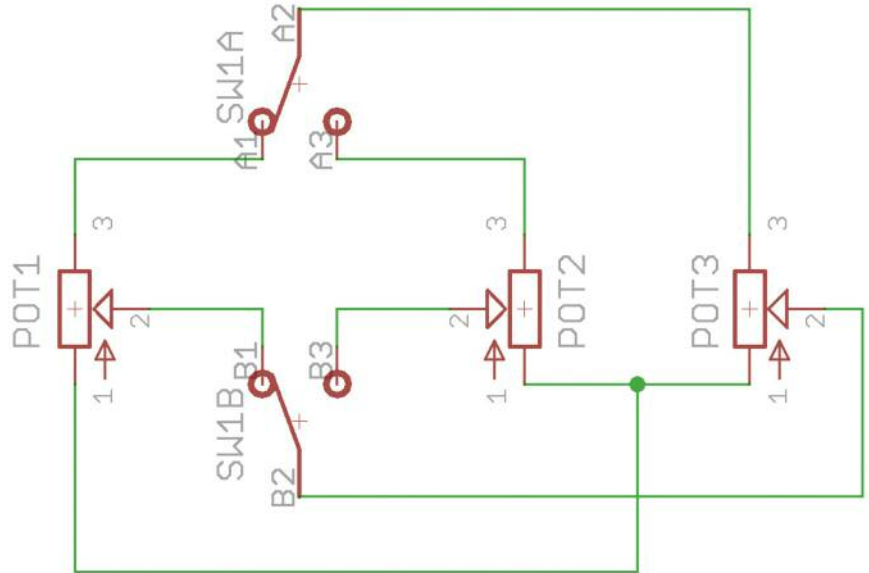
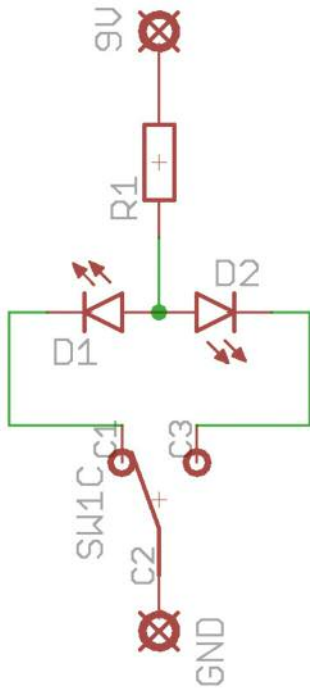


Pot Swap

Does exactly that

PedalParts.co.uk



LED: The PCB has been designed to take a tri-colour LED with common Anode (+).

You can use a normal LED if you wish, just connect it to the + and whichever - you want depending which pot you want it to light up for. Right hand pad is connected when POT1 is selected, left for POT2.

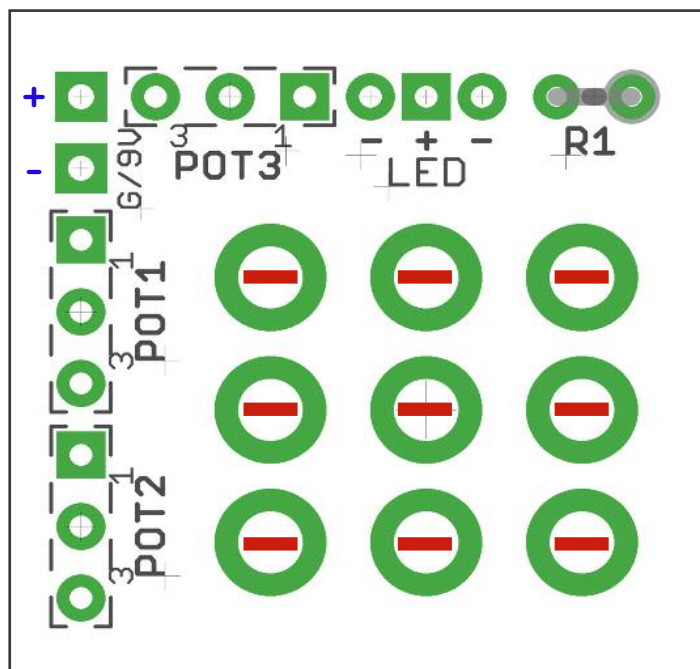
If you only have common Cathode tri-colour LEDs you can just swap the power connections over - only the LED receives any power on this board.

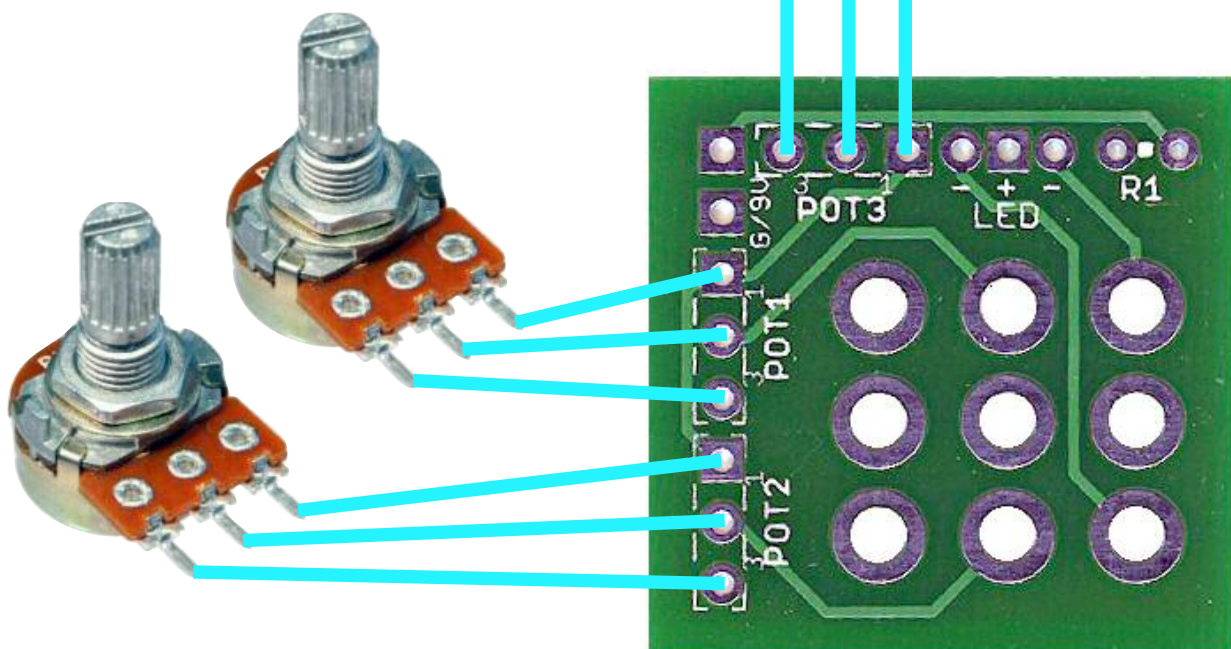
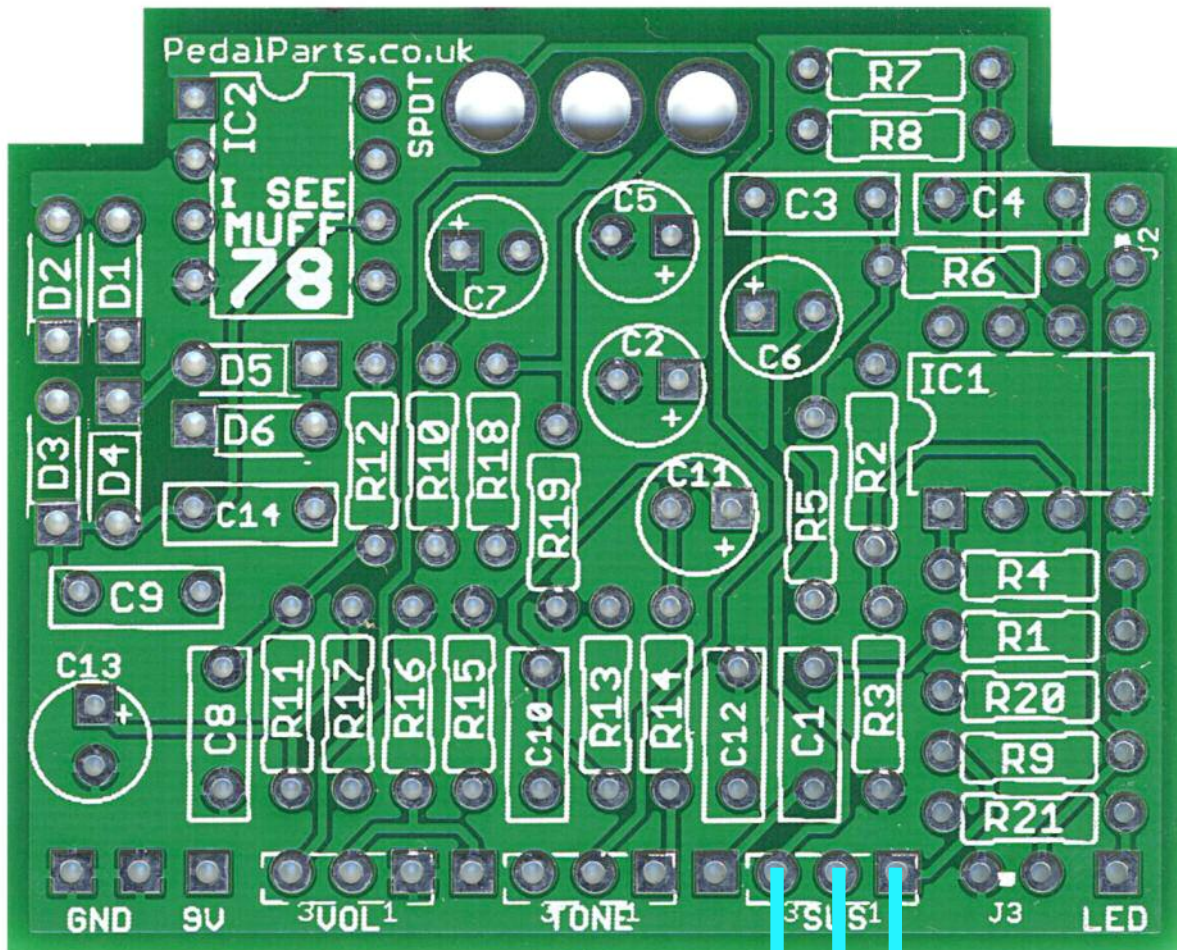
LED can be connected with wires rather than directly mounted if you prefer.

No BOM for this one. POT1 and POT2 are whichever value you are using in your original circuit. POT3 connects to the pads in your circuit where the pot would normally go. See example overleaf.

R1 is your preferred current limiting resistor for your LED (I normally use 2K2).

Footswitch should be placed with lugs horizontal as shown in red below.





In this to-scale example with accurate perspective (!!!) the Sustain pot (10KB) on the IC78 is replaced with two 10KB pots which can be set at different levels and selected with the footswitch. Simple!

You could hack in a trimmer in place of one of the pots if you wanted an internal set-and-forget second setting.