

Pond Scum

Versatile fuzz that's
bloomin' lovely

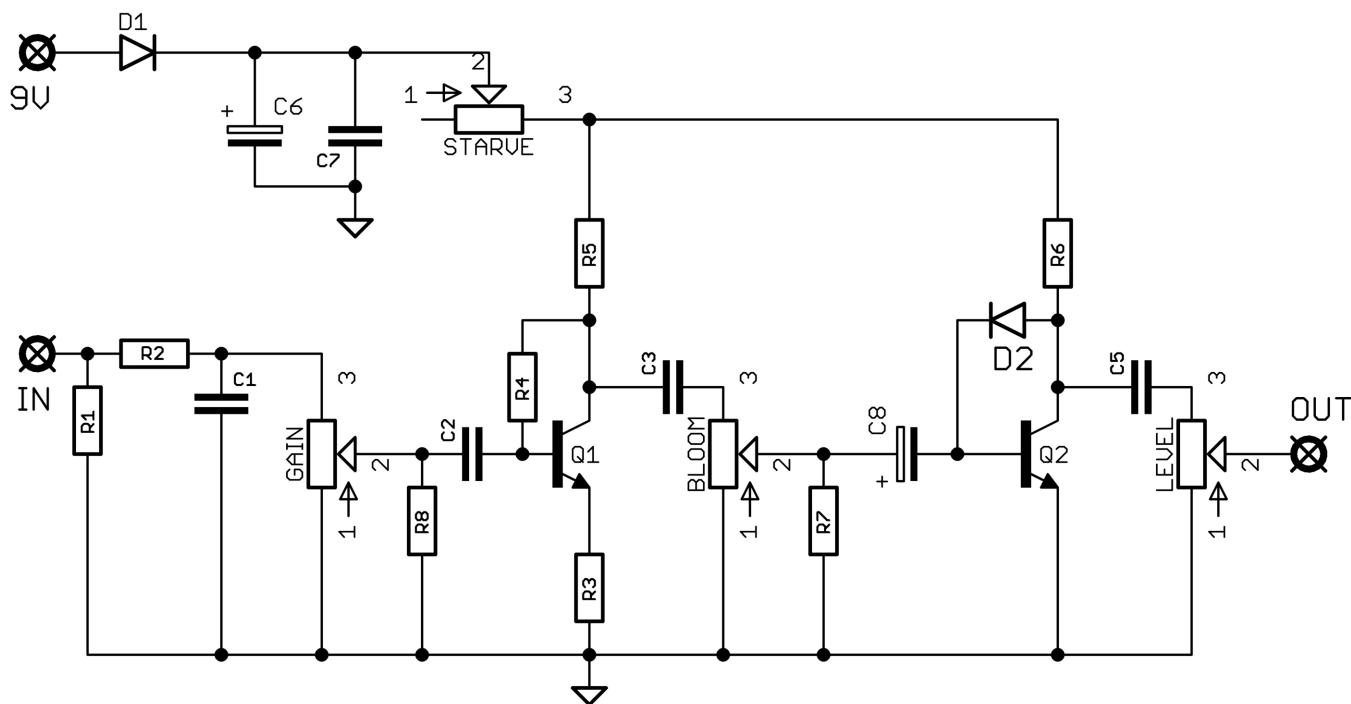


Before you dig in, ensure you download and read the **General Build Guide**.

It contains all the information you need for a successful outcome.

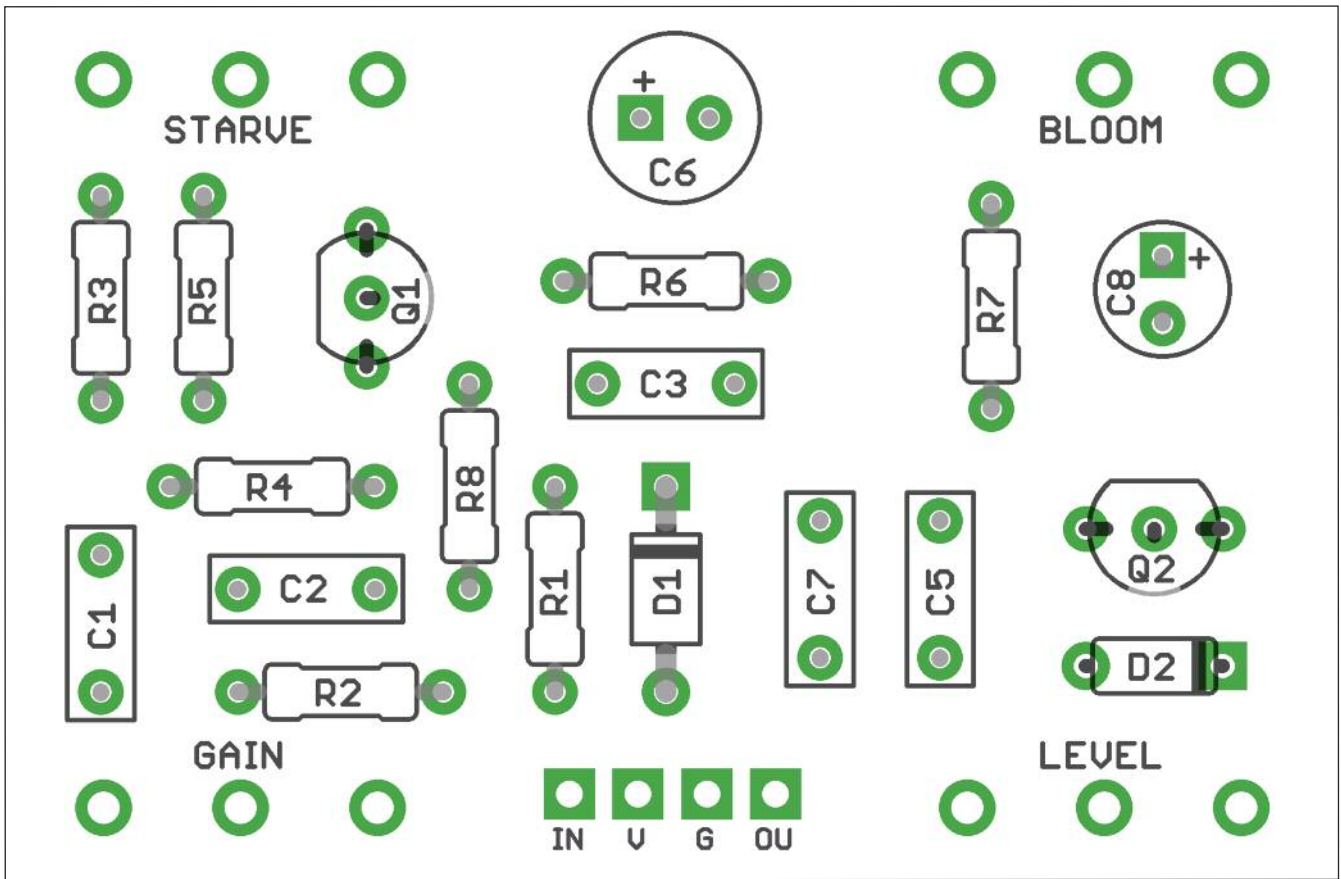


Schematic + BOM



R1	1M	C1	470p	D1	1N5817
R2	1K	C2	100n	D2	1N4148
R3	1K	C3	100n	Q1-2	2N5089
R4	2M2	C5	100n	BLOOM	100KA
R5	47K	C6	100u elec	GAIN	500KB
R6	100K	C7	100n	LEVEL	100KA
R7	1M	C8	2u2 elec	STARVE	100KA (50KC*)
R8	1M				

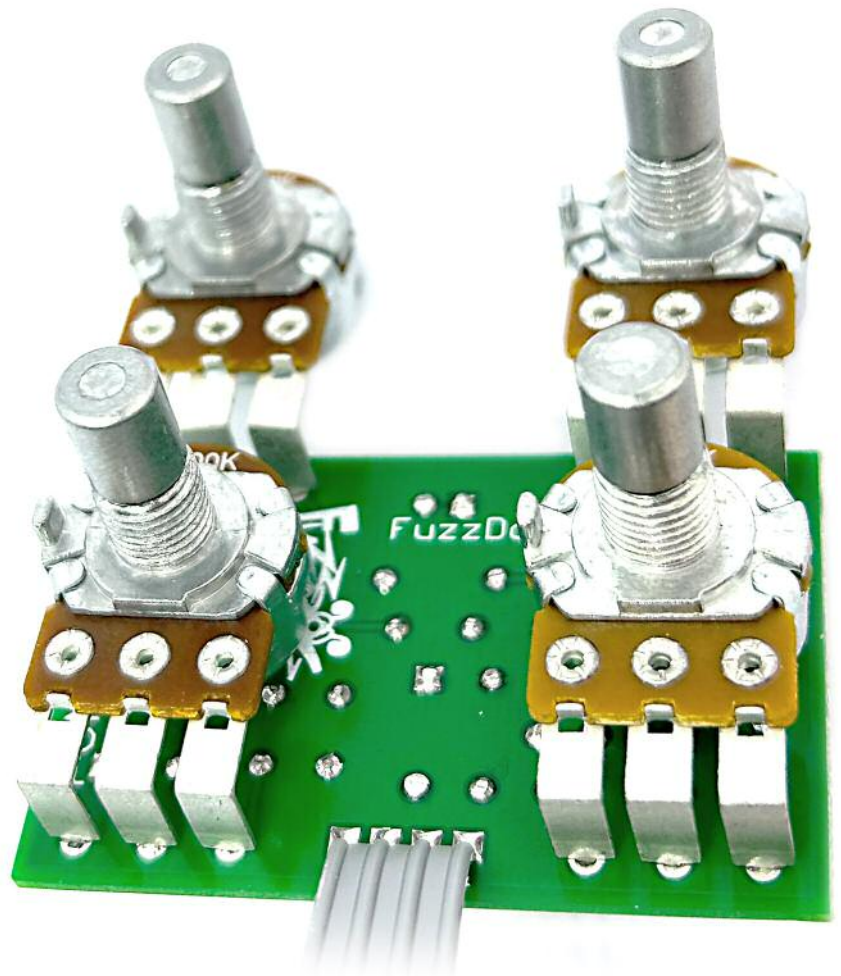
*Our alternative value which gives a more useable control.



Snap the small metal tag off the pots so they can be mounted flush in the box.

You should solder all other board-mounted components before you solder the pots.

Once they're in place you'll have no access to much of the board.



Drilling template

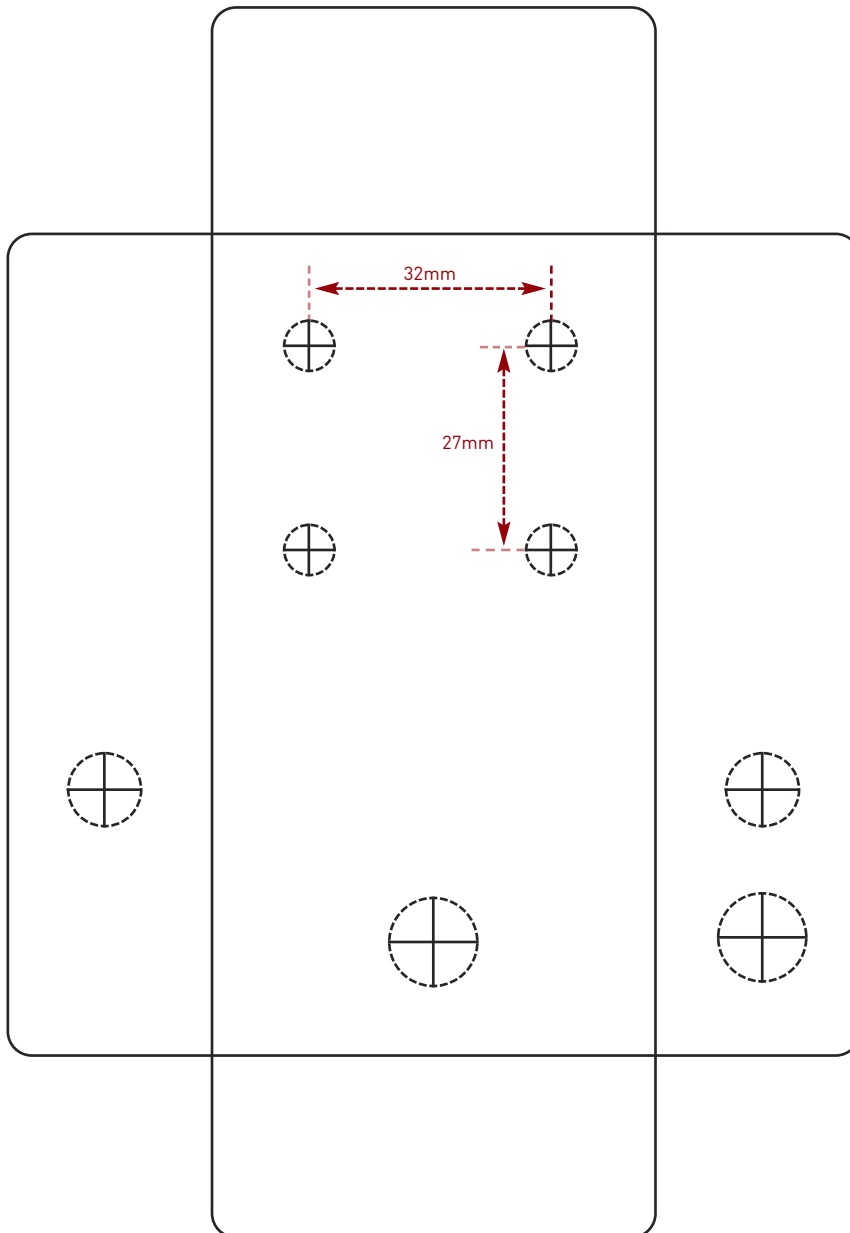
Hammond 1590B - 60 x 111 x 31mm

Drill sizes listed are minimum.

It's a good idea to add 1mm to anything mounted on the PCB that'll poke through the front of the enclosure.

Drill sizes:

Pots	7mm
Jacks	10mm
Footswitch	12mm
DC Socket	12mm
Toggle switches	6mm
Rotary switches	10mm



This template is a rough guide only. You should ensure correct marking of your enclosure before drilling. You use this template at your own risk.

Pedal Parts Ltd can accept no responsibility for incorrect drilling of enclosures.

FuzzDog.co.uk