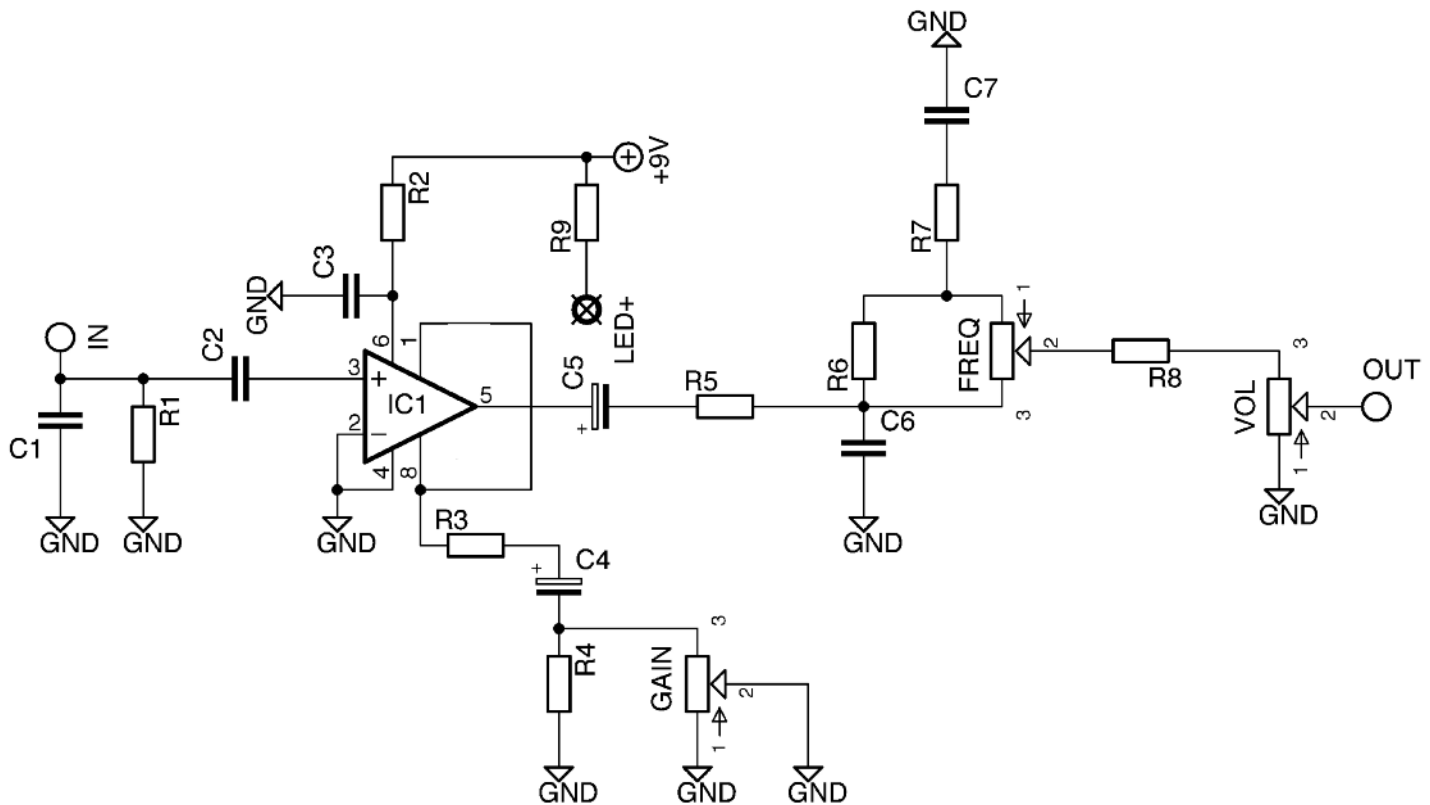


Plexi

Marshall-in-a-Box!
Clone of a famous purple pedal

PedalParts.co.uk

Schematic

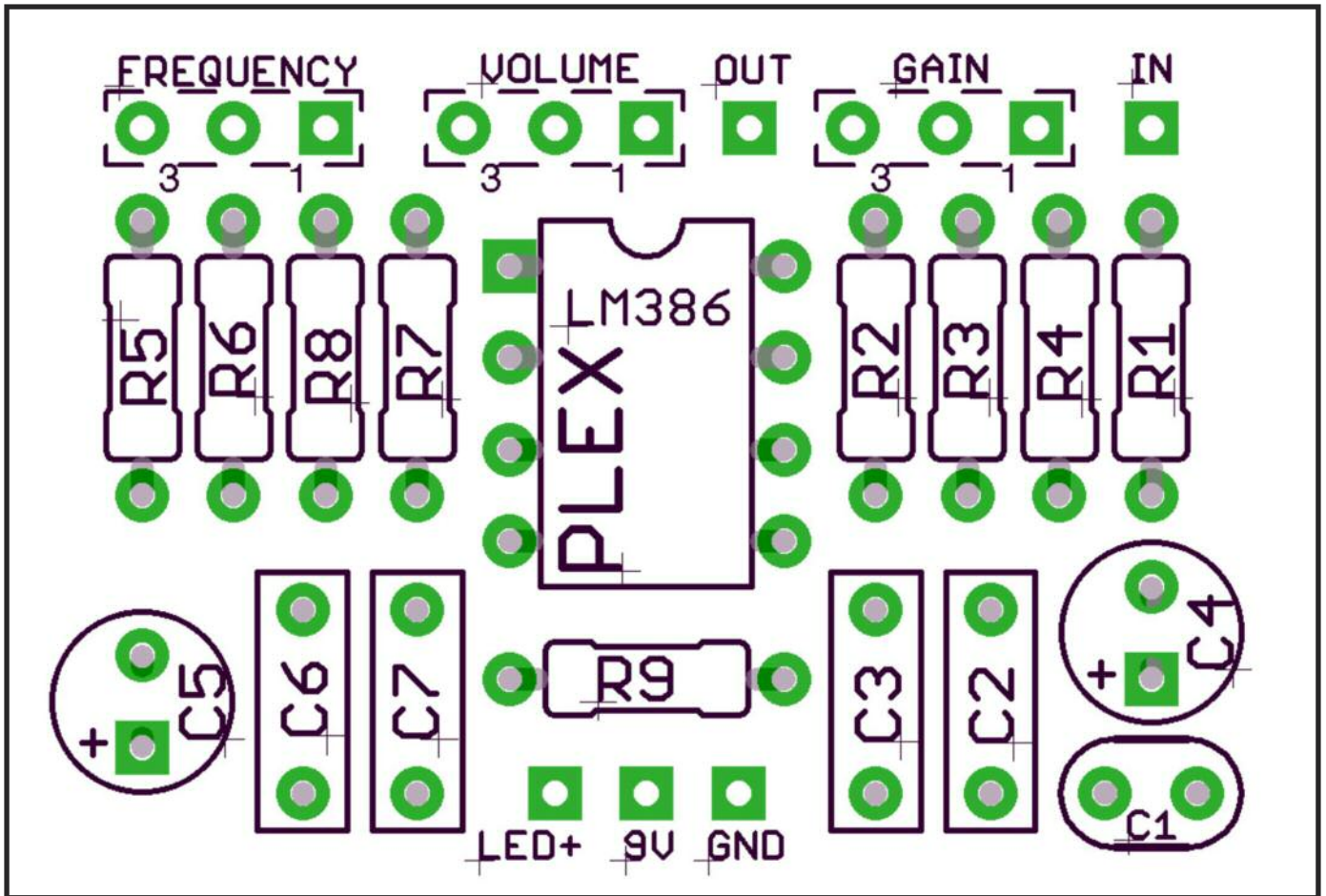


BOM

R1	2M2		
R2	10R		
R3	10R	C1	390p**
R4	470R	C2	4n7
R5	4K7	C3	0.1u
R6	4K7	C4	47u
R7	1K8*	C5	47u
R8	330R	C6	4n7
R9	2K2	C7	0.1u
		IC	LM386
		GAIN	1KB
		FREQ	5KB
		VOL	100KB

*Original schematic shows 1K74, but seriously???? Close enough.

**As above, but 370p. Again...



Wiring shown overleaf will disconnect the battery when you remove the jack plug from the input, and also when a DC plug is inserted.

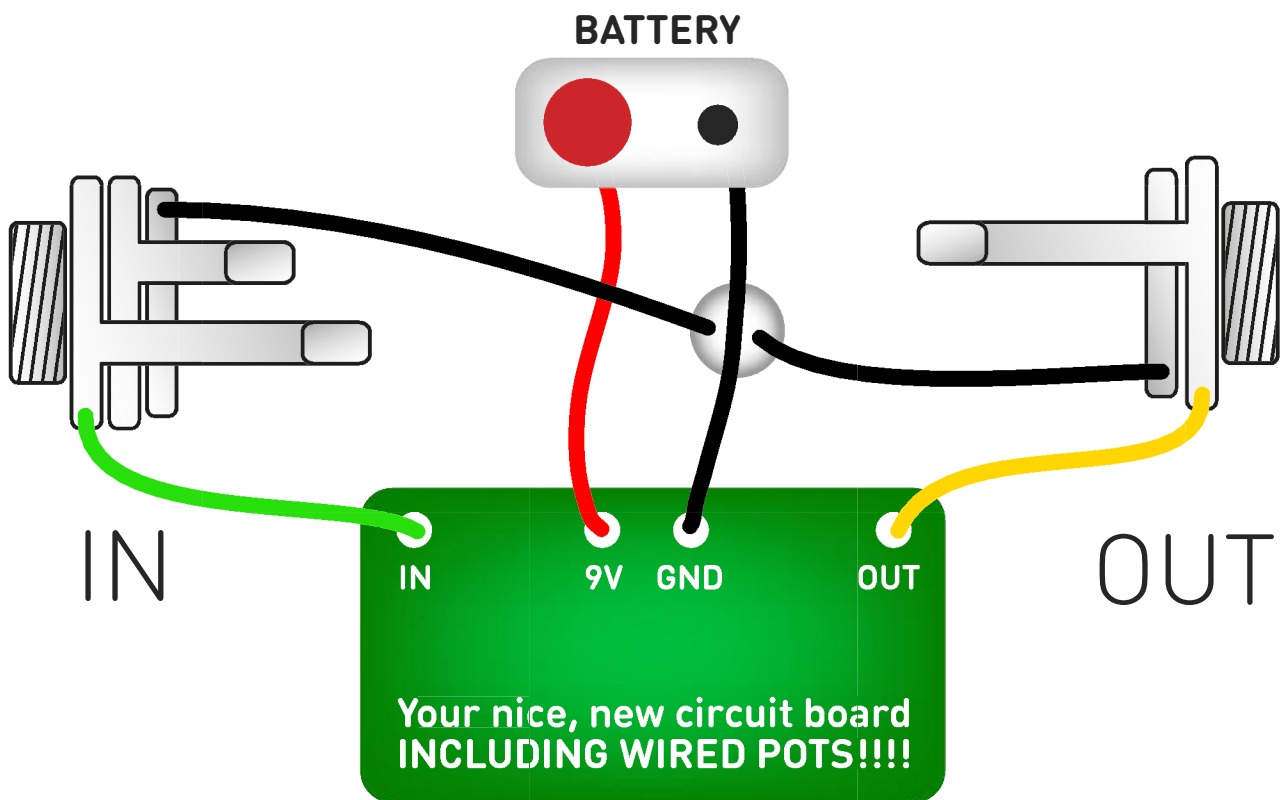
Snap the little metal tag off the pot to mount it flush in the box.

I've incorporated the Current Limiting Resistor for the LED into the board for your pleasure.

WARNING! - the LM386 is not a quiet chap. This circuit can get a bit noisy.



Test the board!

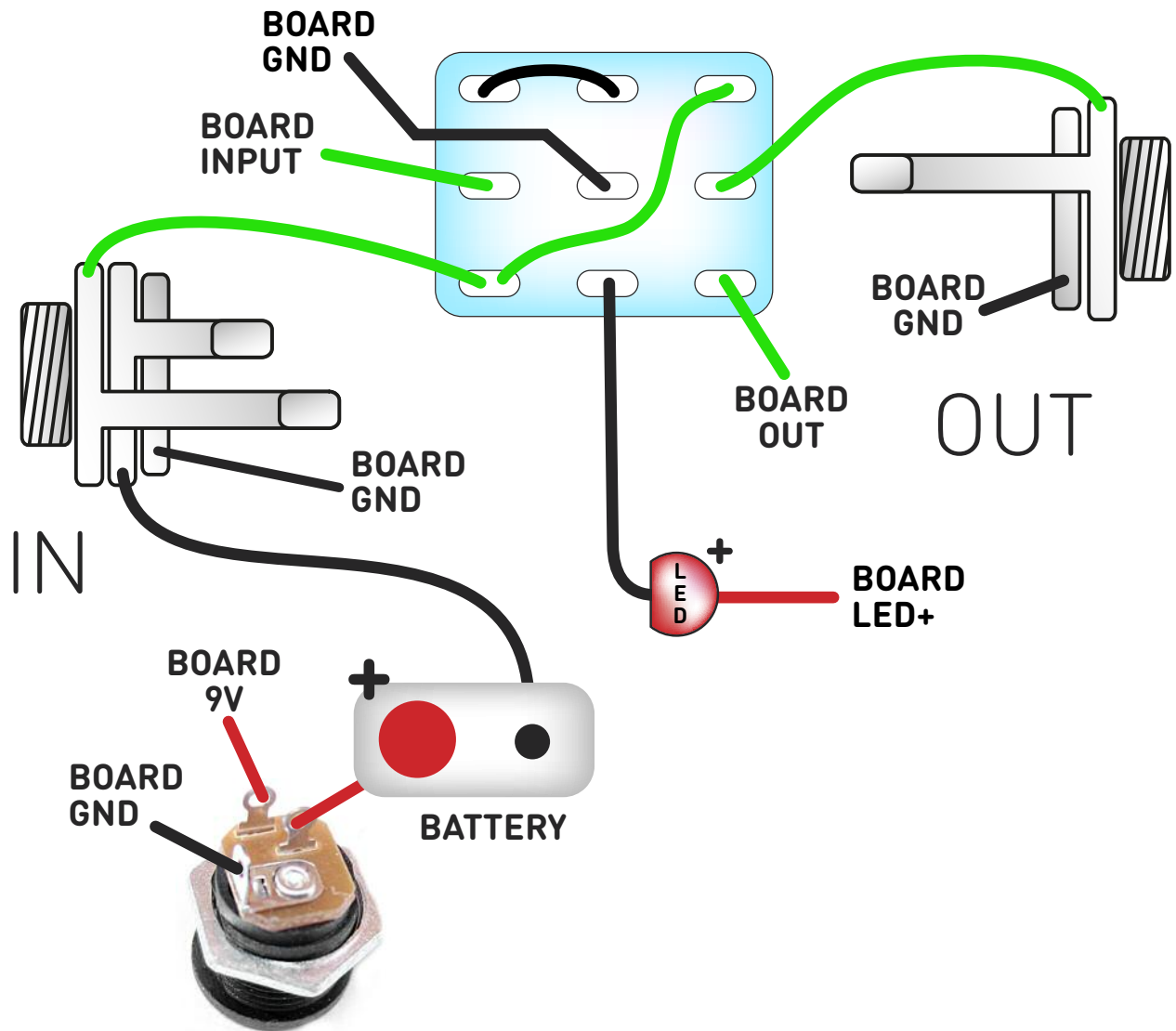


Once you've finished the circuit it makes sense to test it before starting on the switch and LED wiring. It'll cut down troubleshooting time in the long run. If the circuit works at this stage, but it doesn't once you wire up the switch - guess what? You've probably made a mistake with the switch.

Solder some nice, long lengths of wire to the board connections for 9V, GND, IN and OUT. Connect IN and OUT to the jacks as shown. Connect all the GNDs together (twist them up and add a small amount of solder to tack it). Connect the battery + lead to the 9V wire, same method. Plug in. Go!

If it works, crack on and do your switch wiring. If not... aw man. At least you know the problem is with the circuit. Find out why, get it working, THEN worry about the switch etc.

Wire it up



The Board GND connections don't all have to directly attach to the board. You can run a couple of wires from the DC connector, one to the board, another to the IN jack, then daisy chain that over to the OUT jack. It doesn't matter how they all connect, as long as they do.

This circuit is standard, Negative GND. Your power supply should be Tip Negative / Sleeve Positive. That's the same as your standard pedals (Boss etc), and you can safely daisy-chain your supply to this pedal. Now... GO ROCK!

PedalParts.co.uk