

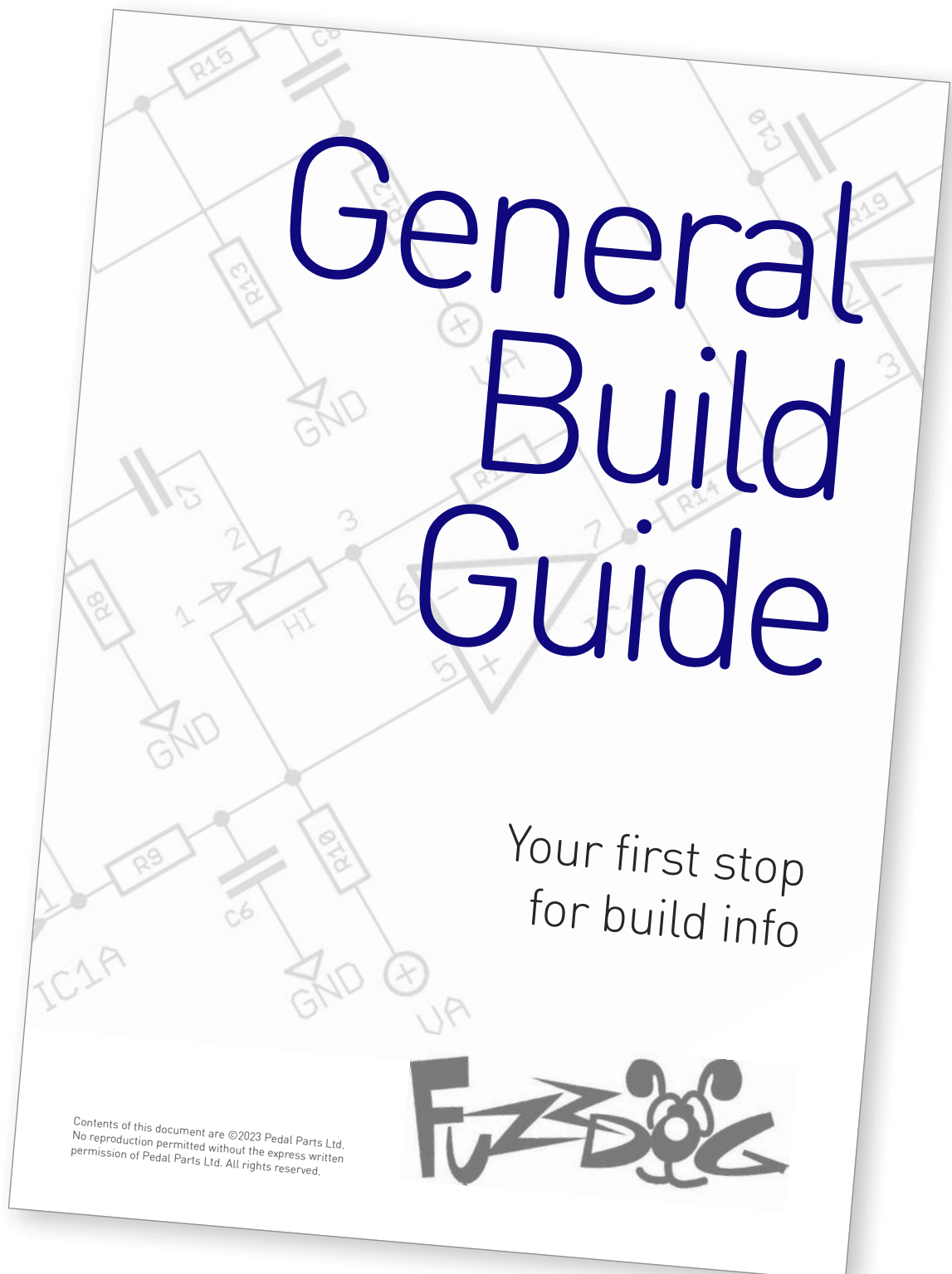
Ominous Cab Sim

Emulate your speakerbox
without the loud-loud

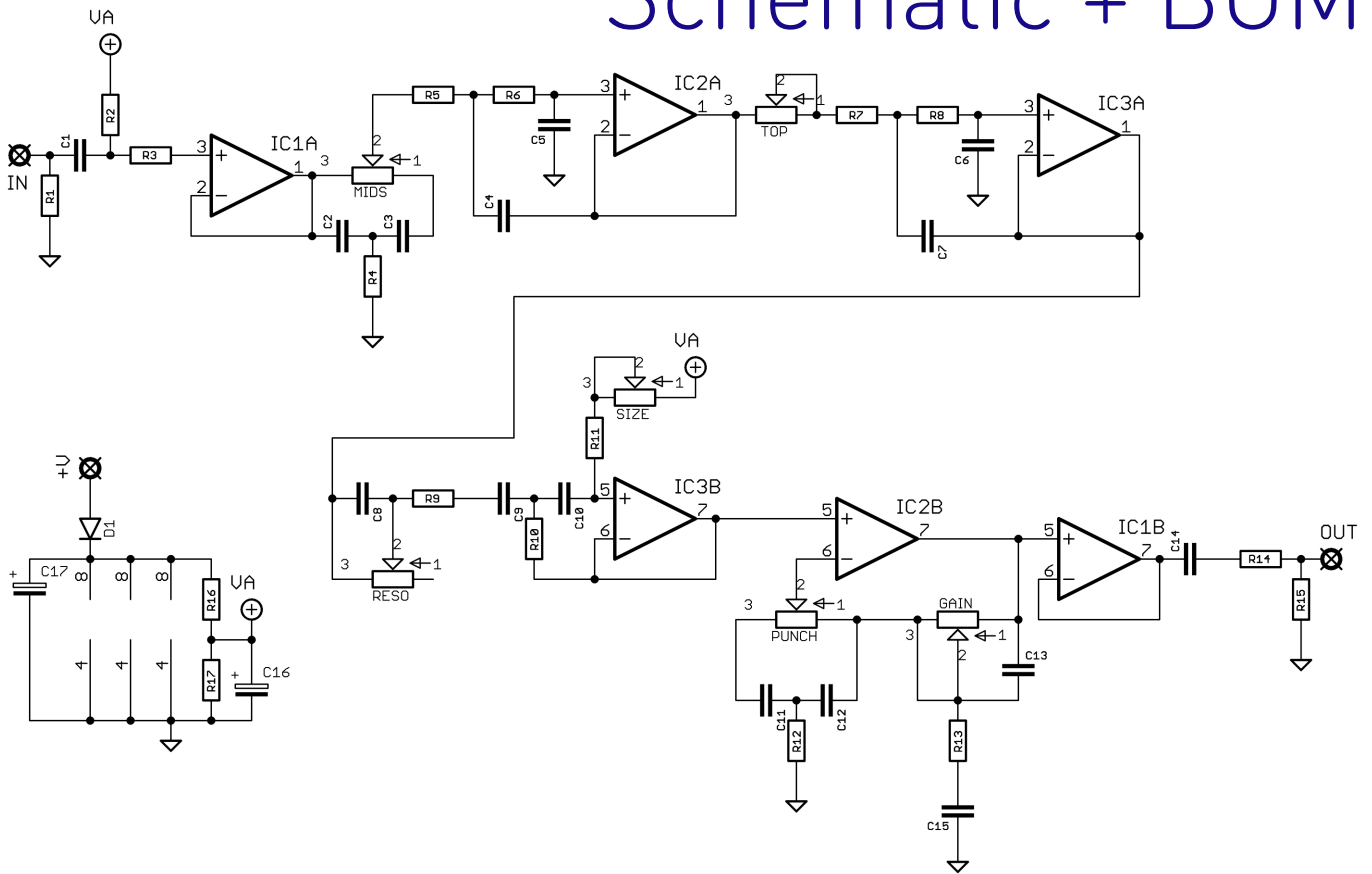


Before you dig in, ensure you download and read the **General Build Guide**.

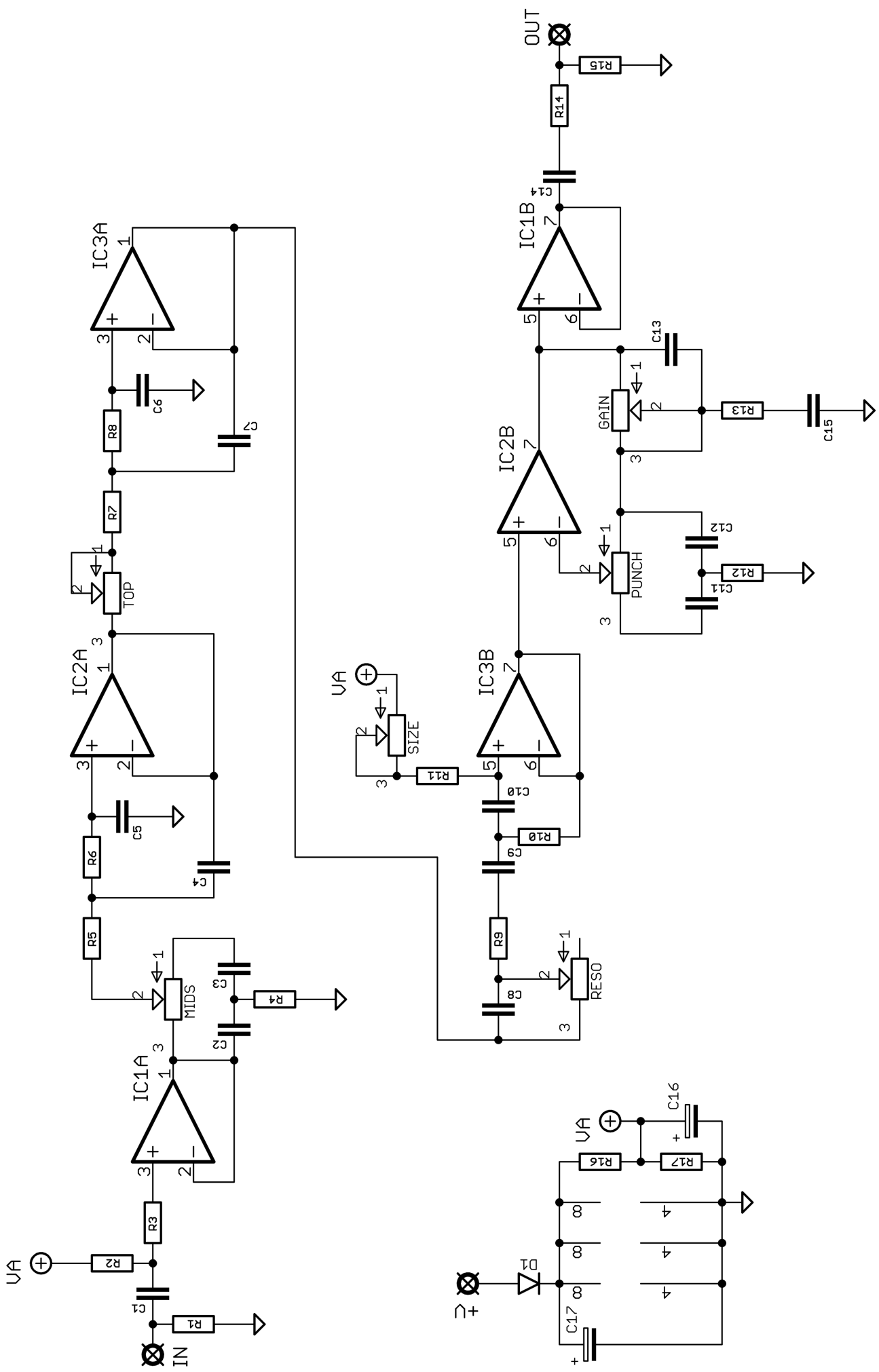
It contains all the information you need for a successful outcome.

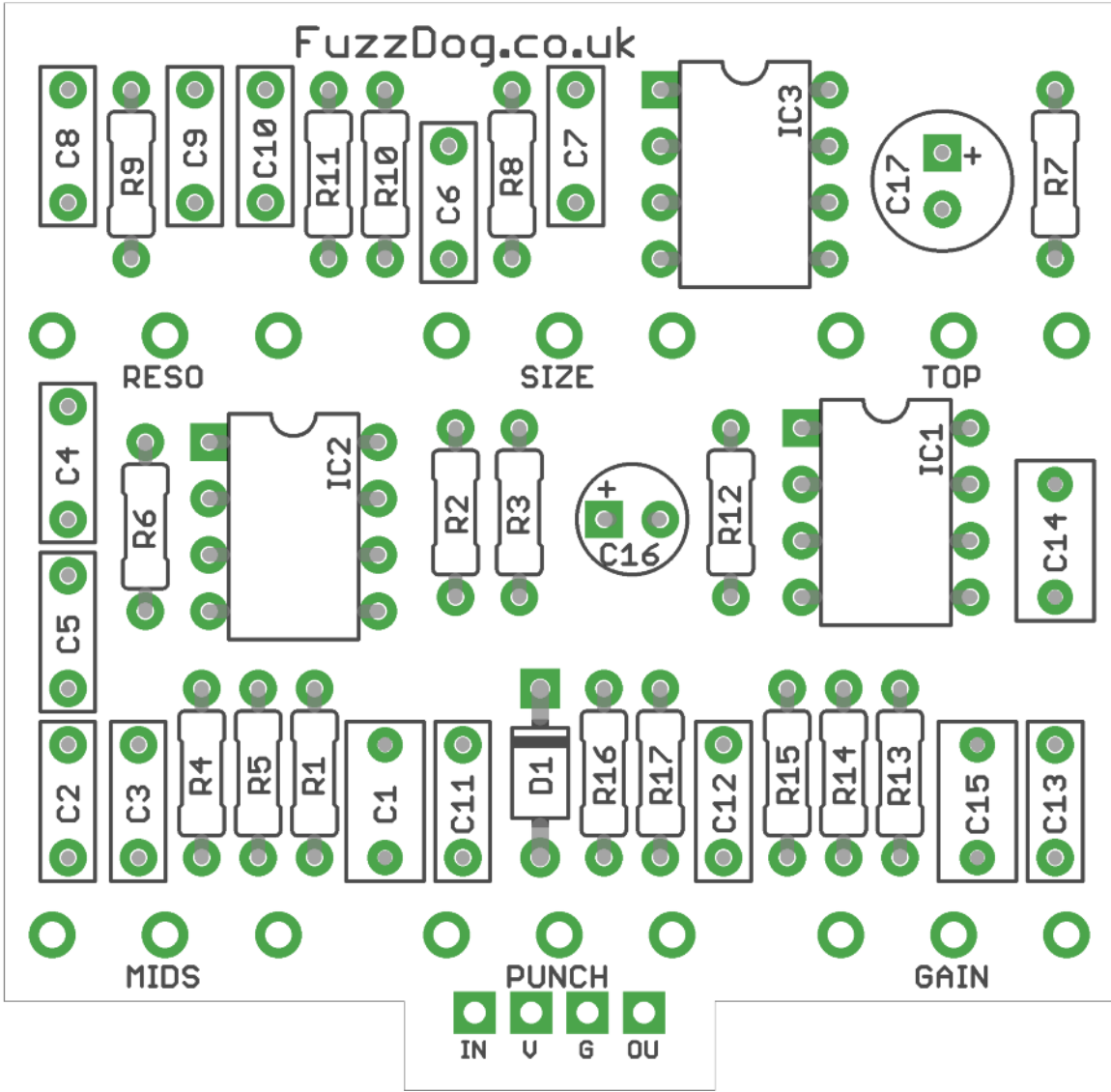


Schematic + BOM



R1	1M	C1	470n	IC1-3	TL072
R2	1M	C2	100n	D1	1N5817
R3	10K	C3	100n	GAIN	100KA
R4	1K	C4	4n7	MIDS	10KA
R5	22K	C5	470p	PUNCH	100KB
R6	10K	C6	1n	RESO	100KB
R7	4K7	C7	8n2	SIZE	500KA
R8	10K	C8	10n	TOP	100KB
R9	1K	C9	47n		
R10	4K7	C10	47n		
R11	100K	C11	5n6		
R12	15K	C12	18n		
R13	10K	C13	3n3		
R14	10K	C14	470n		
R15	100K	C15	470n		
R16	33K	C16	22u elec		
R17	33K	C17	100u elec		



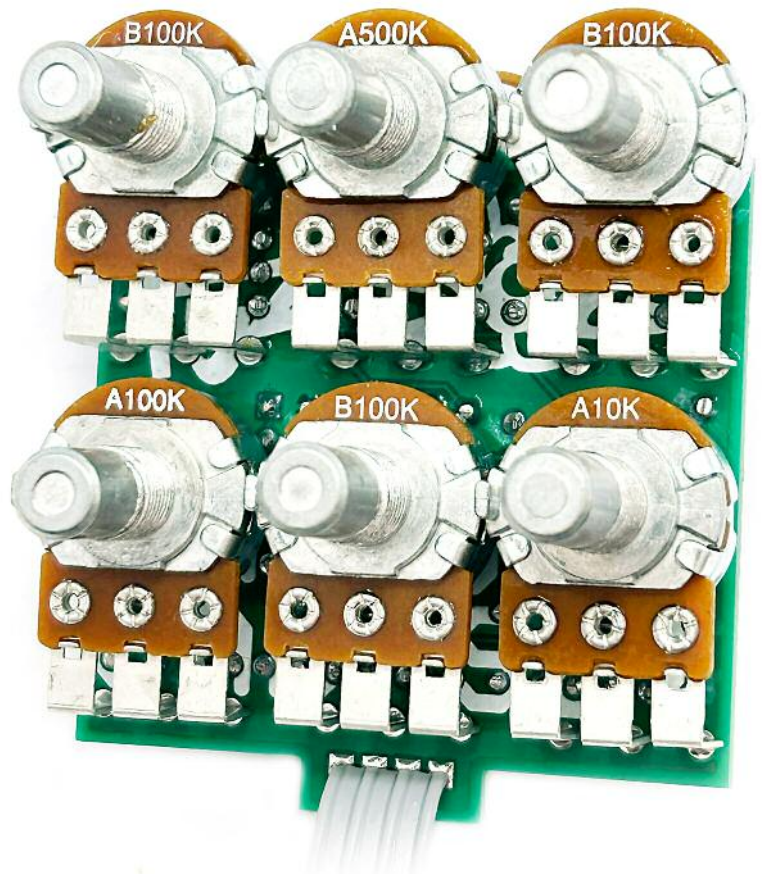


PCB layout ©2024, Pedal Parts Ltd.

Snap the small metal tag off the pots so they can be mounted flush in the box.

You should solder all other board-mounted components before you solder the pots.

Once they're in place you'll have no access to much of the board.



Drilling template

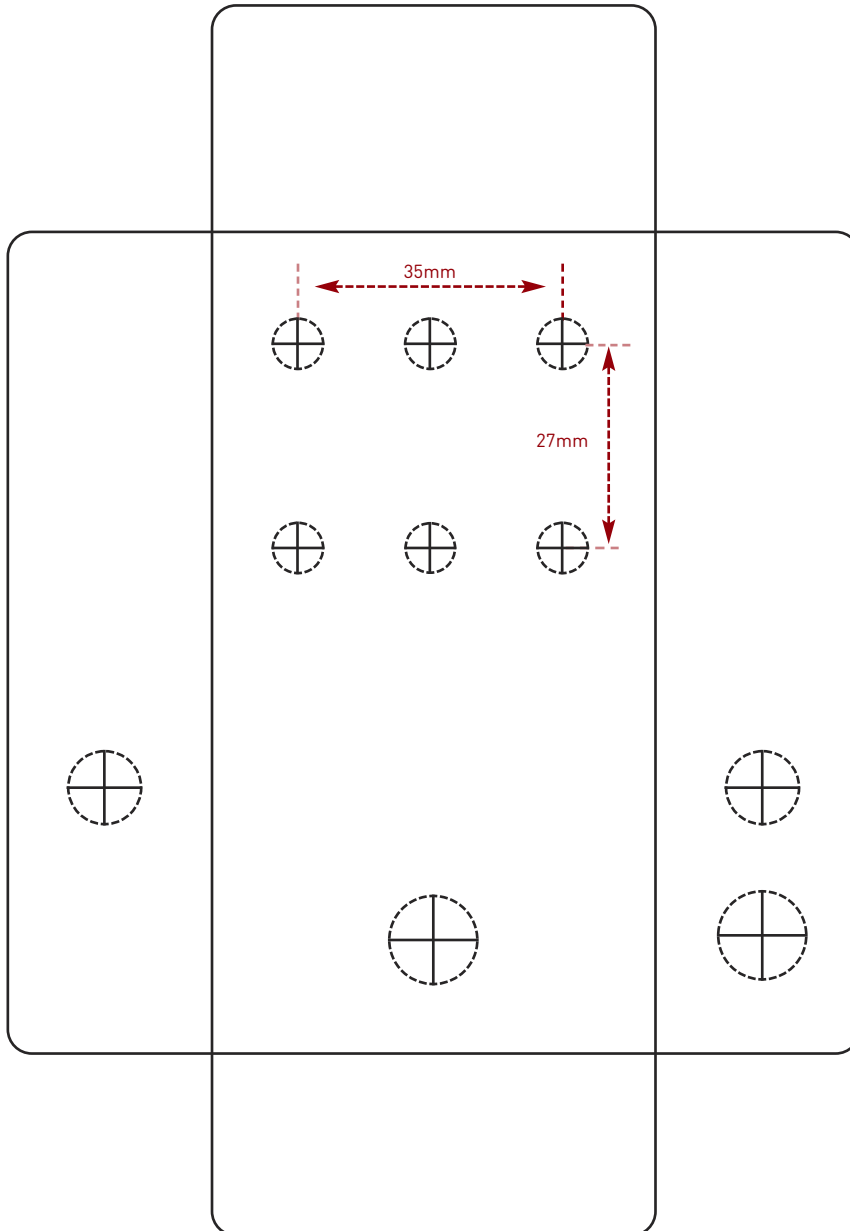
Hammond 1590B - 60 x 111 x 31mm

Drill sizes listed are minimum.

It's a good idea to add 1mm to anything mounted on the PCB that'll poke through the front of the enclosure.

Drill sizes:

Pots	7mm
Jacks	10mm
Footswitch	12mm
DC Socket	12mm
Toggle switches	6mm
Rotary switches	10mm



This template is a rough guide only. You should ensure correct marking of your enclosure before drilling. You use this template at your own risk.

Pedal Parts Ltd can accept no responsibility for incorrect drilling of enclosures.

FuzzDog.co.uk