

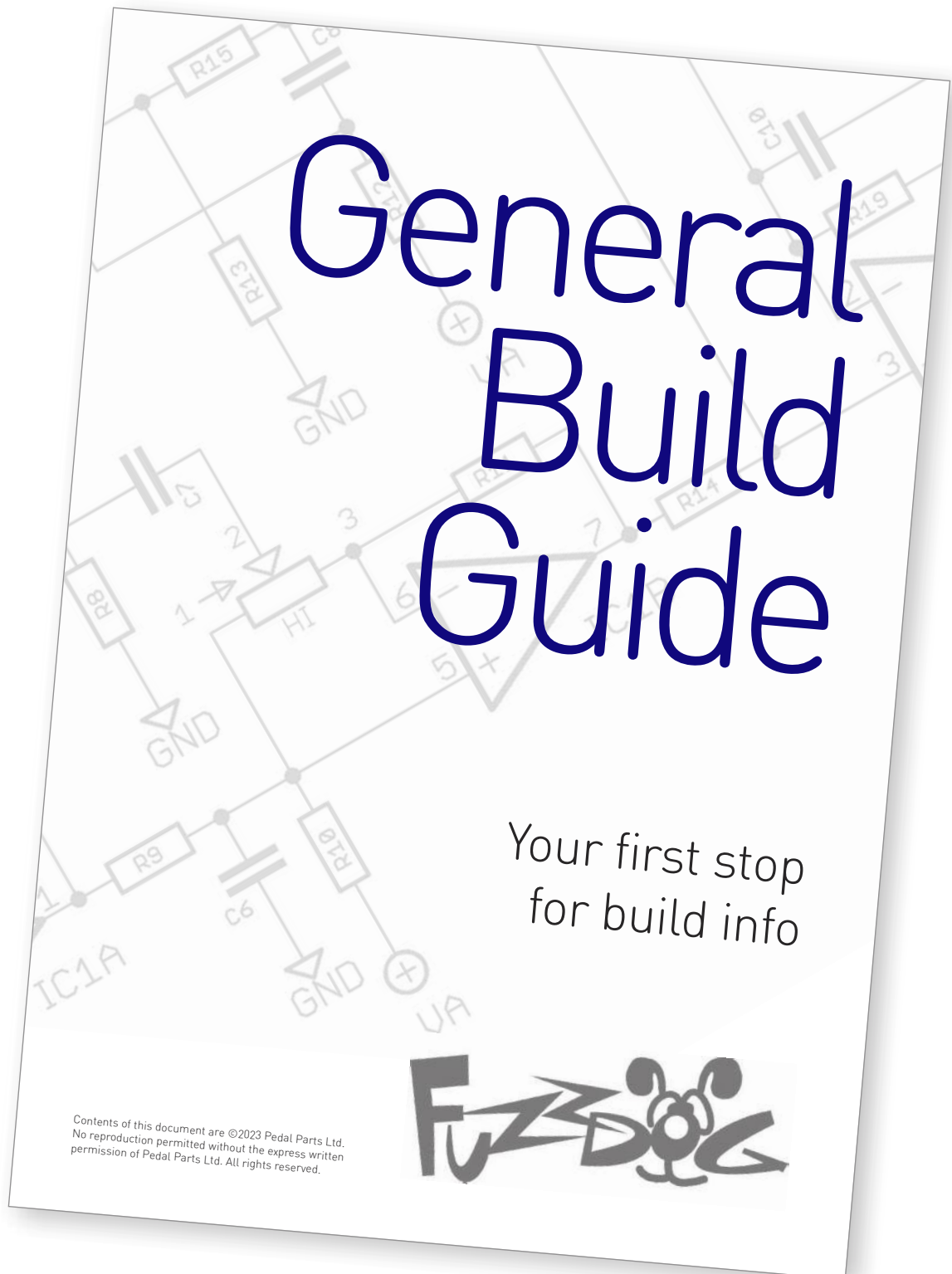
Lonely Vox Club Fuzz

Buzz box based on the onboard fuzz from Vox UL730 and 7120 amps

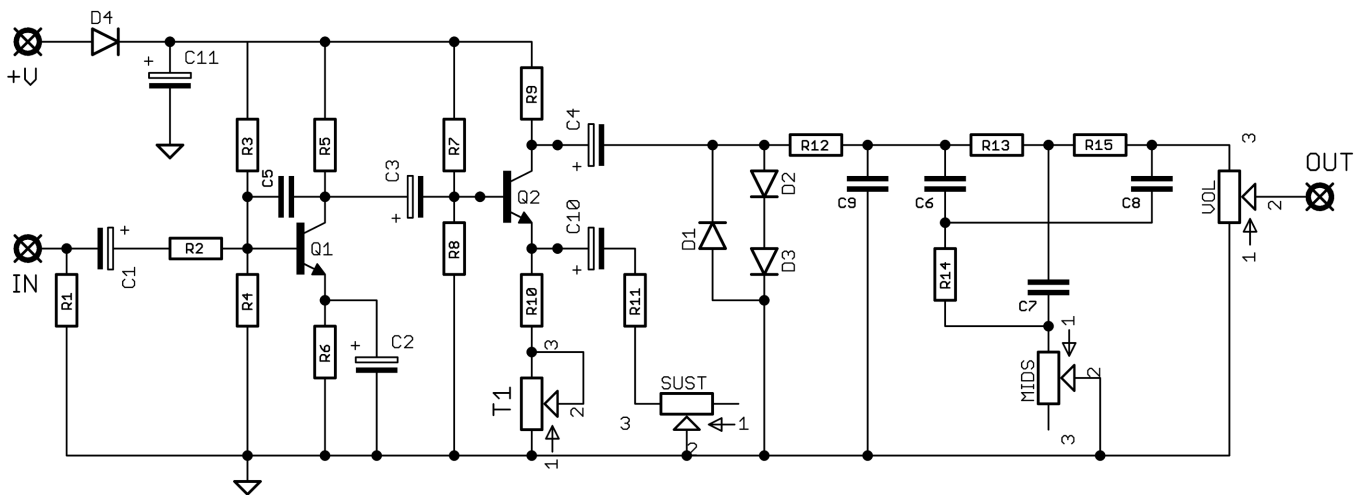


Before you dig in, ensure you download and read the **General Build Guide**.

It contains all the information you need for a successful outcome.

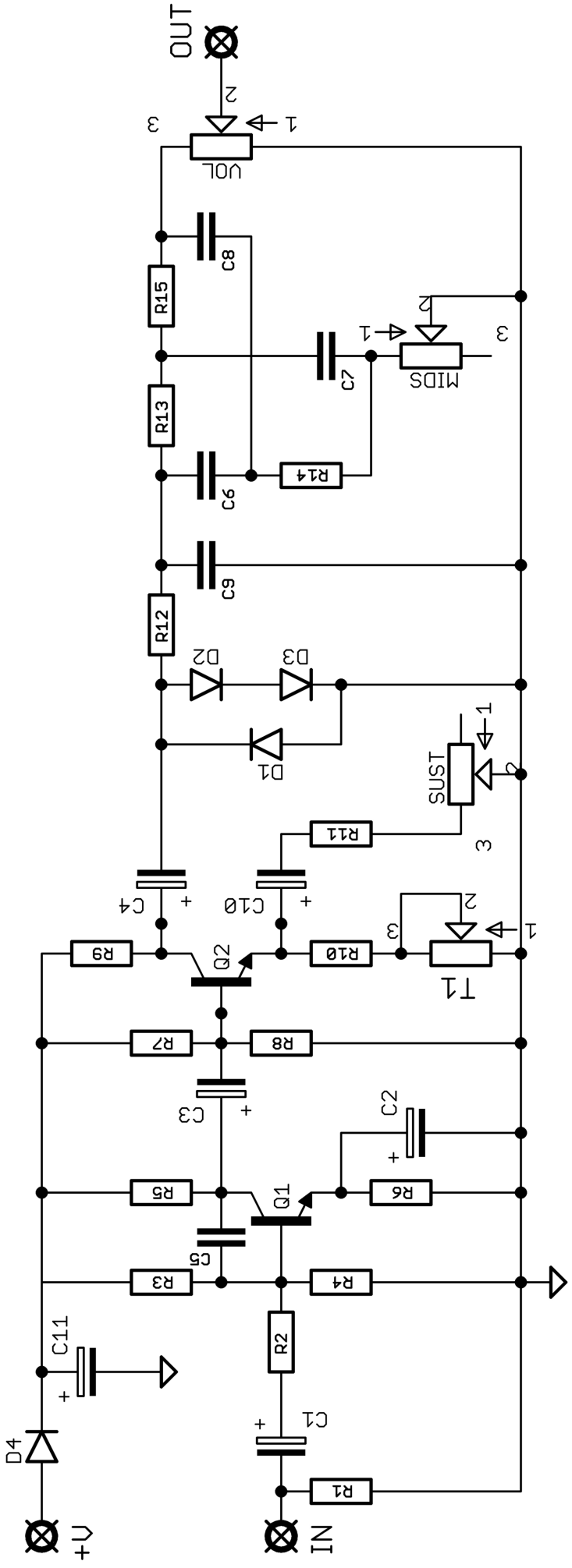


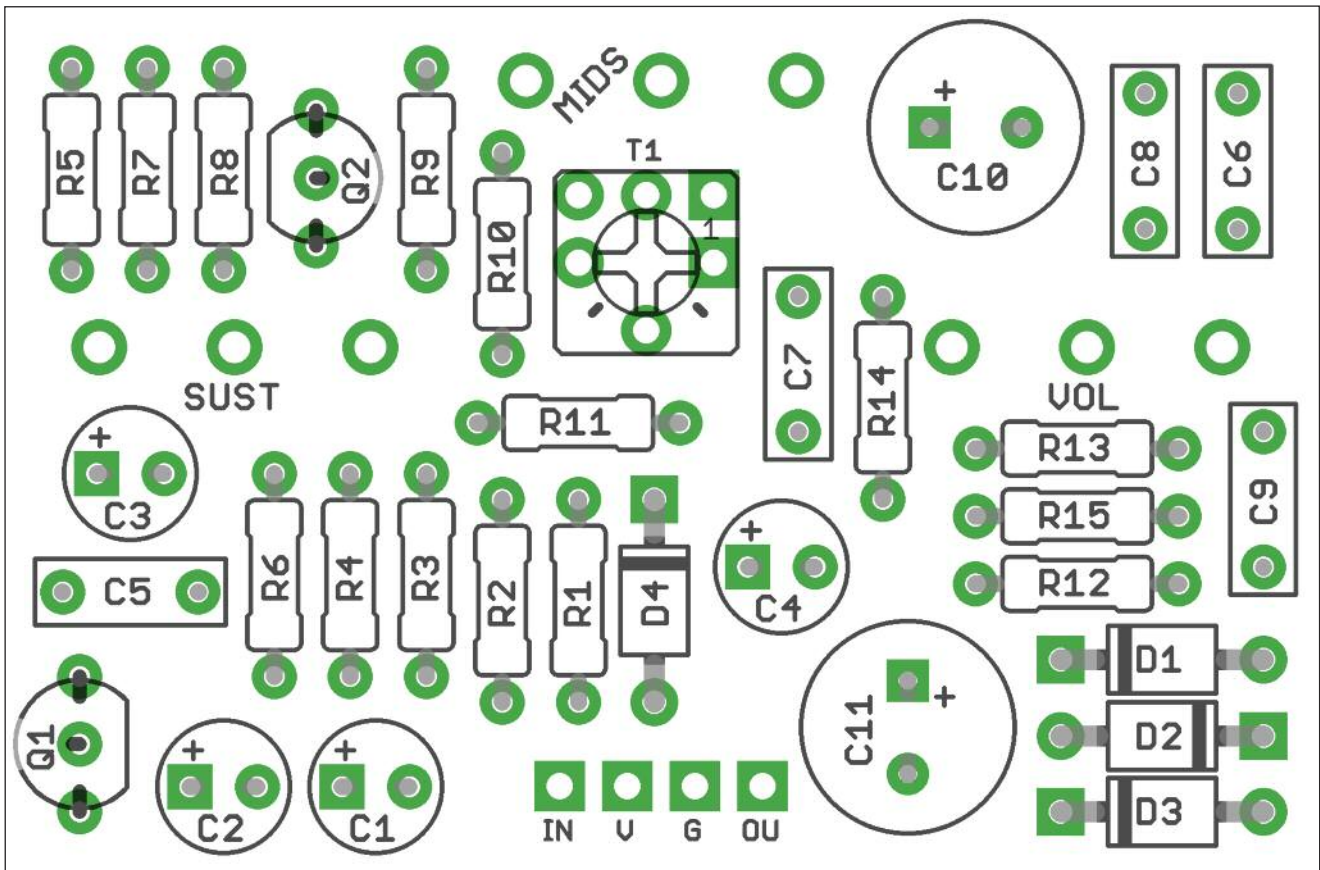
Schematic + BOM



R1	1M	C1	2u2 elec	D1-3	1N4001
R2	33K	C2	10u elec	D4	1N5817
R3	220K	C3	2u2 elec	Q1	2N5088*
R4	100K	C4	1u elec	Q2	PN2222
R5	22K	C5	100p	T1	1K trimmer
R6	10K	C6	22n	SUS	5KB
R7	68K	C7	56n	MIDS	10KA
R8	47K	C8	22n	VOL	250KB
R9	3K3	C9	10n		
R10	1K	C10	220u elec		
R11	33R	C11	220u elec		
R12	4K7				
R13	18K				
R14	10K				
R15	18K				

*BC319 in original, but there's nothing remarkable about that. 2N5088 is a perfect substitute.





Snap the small metal tag off the pots so they can be mounted flush in the box.

You should solder all other board-mounted components before you solder the pots.

Once they're in place you'll have no access to much of the board.

Trimmer Adjustment

There's no voltage to aim for here. Adjust until you get your preferred balance of gain versus gating.



Drilling template

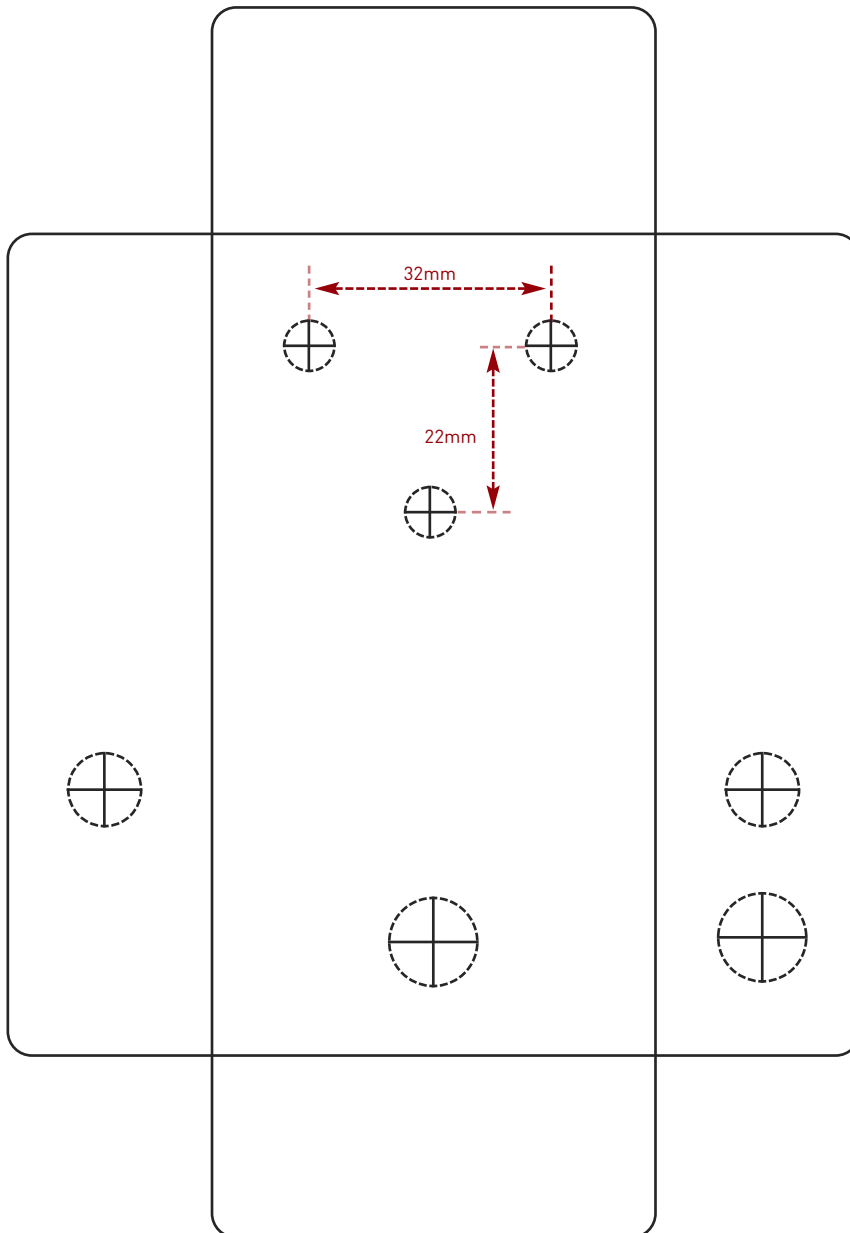
Hammond 1590B - 60 x 111 x 31mm

Drill sizes listed are minimum.

It's a good idea to add 1mm to anything mounted on the PCB that'll poke through the front of the enclosure.

Drill sizes:

Pots	7mm
Jacks	10mm
Footswitch	12mm
DC Socket	12mm
Toggle switches	6mm
Rotary switches	10mm



This template is a rough guide only. You should ensure correct marking of your enclosure before drilling. You use this template at your own risk.

Pedal Parts Ltd can accept no responsibility for incorrect drilling of enclosures.

FuzzDog.co.uk