

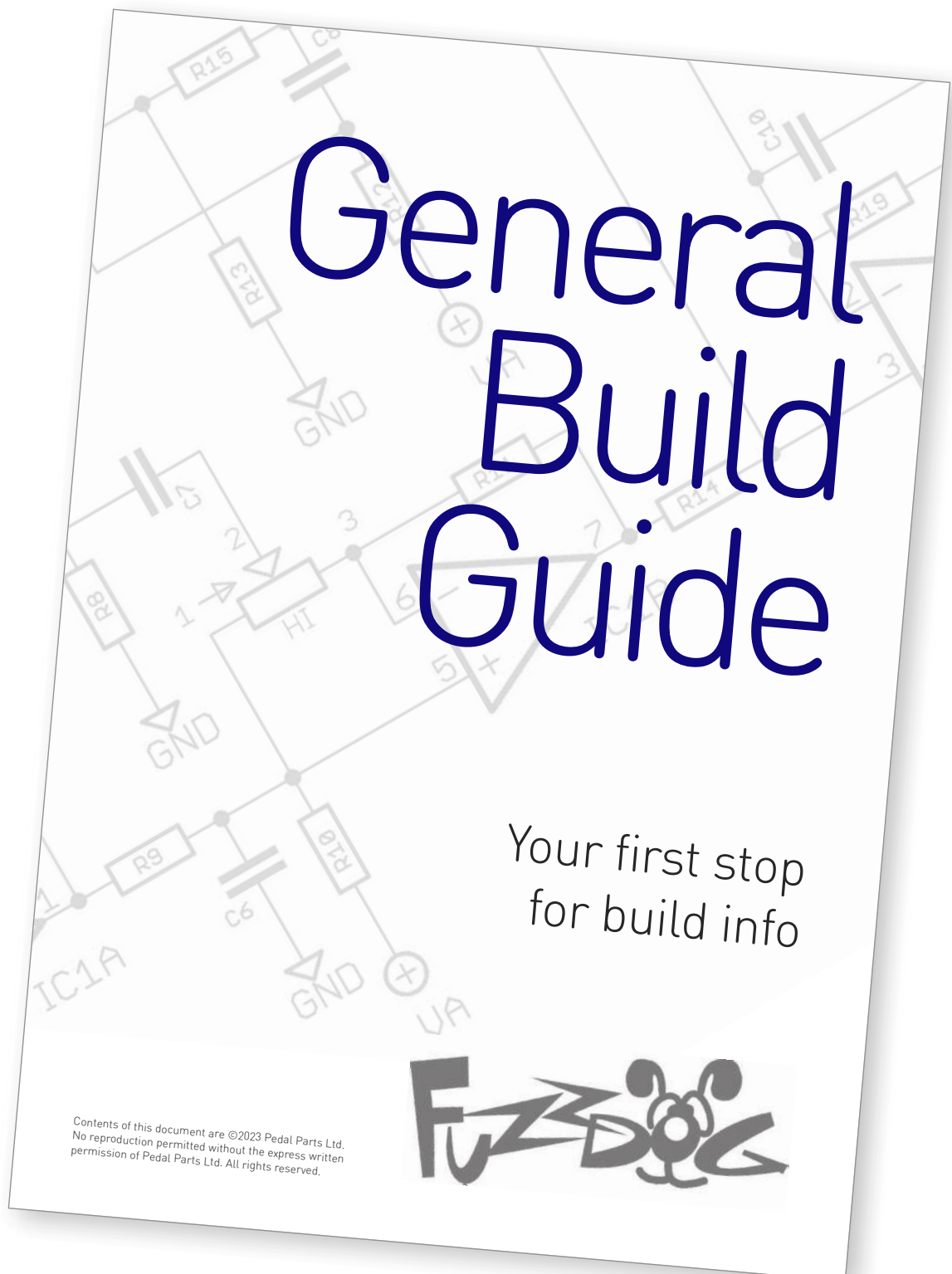
Invading Cannibal Ladybirds

As mad as it sounds...

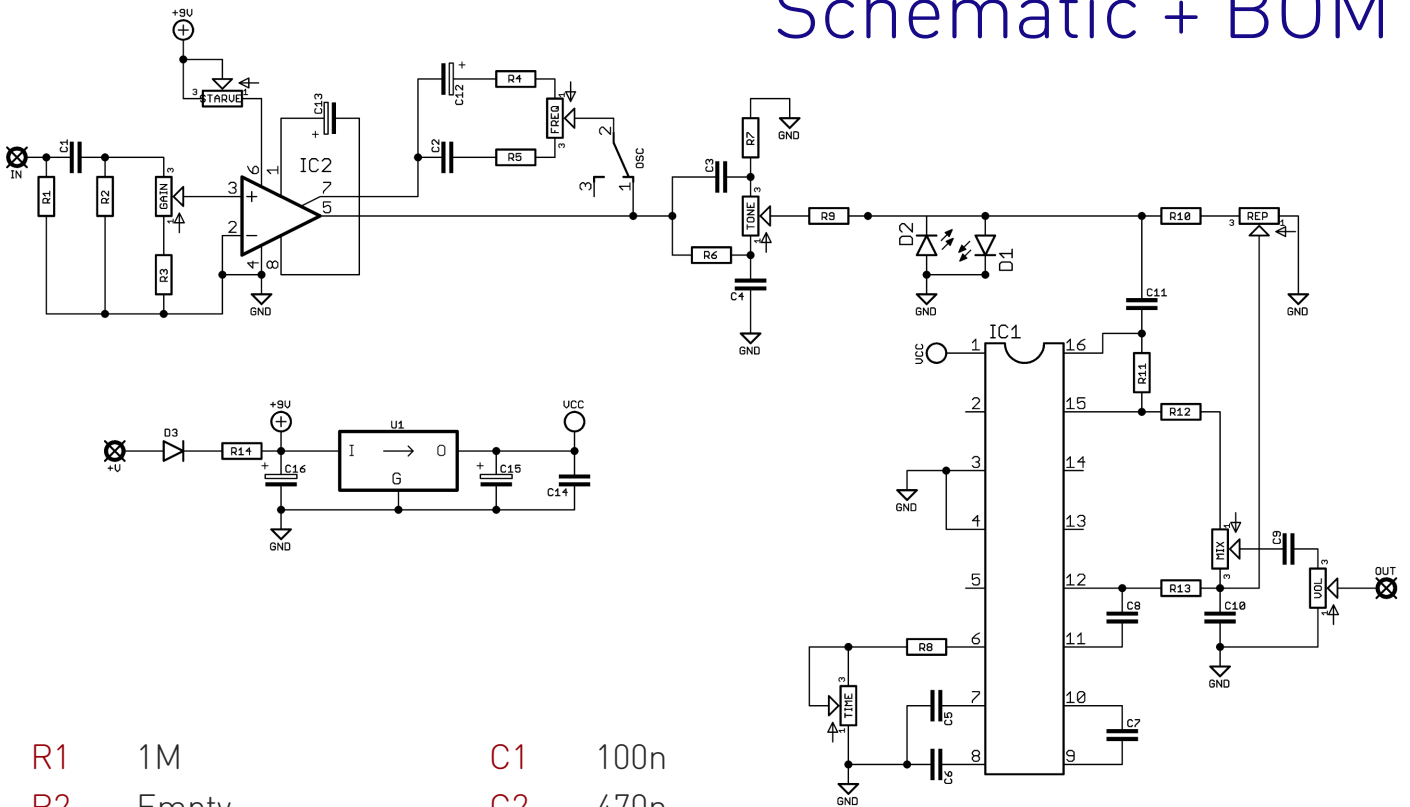


Before you dig in, ensure you download and read the **General Build Guide**.

It contains all the information you need for a successful outcome.

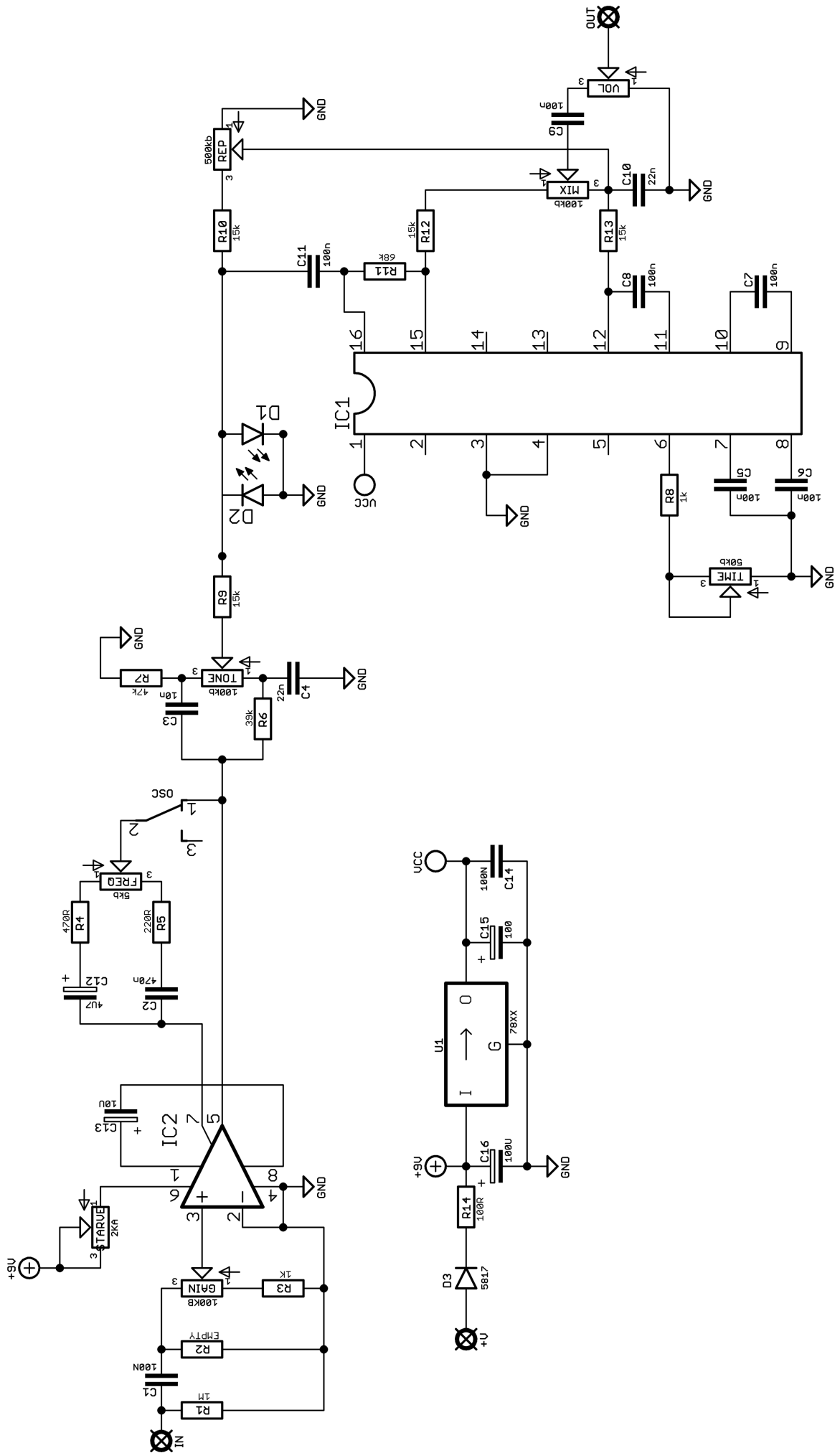


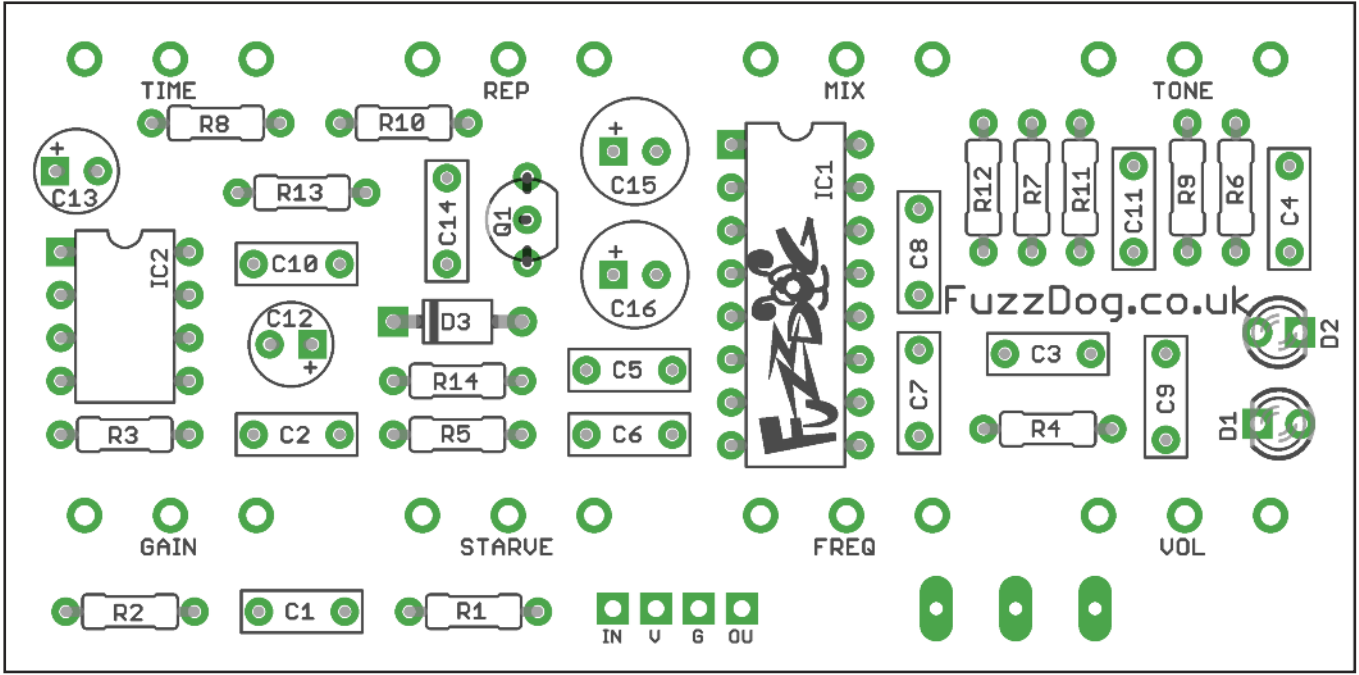
Schematic + BOM



R1	1M	C1	100n	D1-2	3mm Red LED
R2	Empty	C2	470n	D3	1N5817
R3	1K	C3	10n	IC1	PT2399
R4	470R	C4	22n	IC2	LM386-N1
R5	220R	C5	100n	U1	78L05
R6	39K	C6	100n	FREQ	5KB
R7	47K	C7	100n	GAIN	100KB
R8	1K	C8	100n	MIX	100KB
R9	15K	C9	100n	REP	500KB
R10	15K	C10	22n	STRV	2KA
R11	68K	C11	100n	TIME	50KB
R12	15K	C12	4u7 elec	TONE	100KB
R13	15K	C13	10u elec	VOL	100KA
R14	100R	C14	100n	OSC	SPDT ON-ON*
		C15	100u elec		
		C16	100u elec		

*Wire it as a footswitch
if you wanna

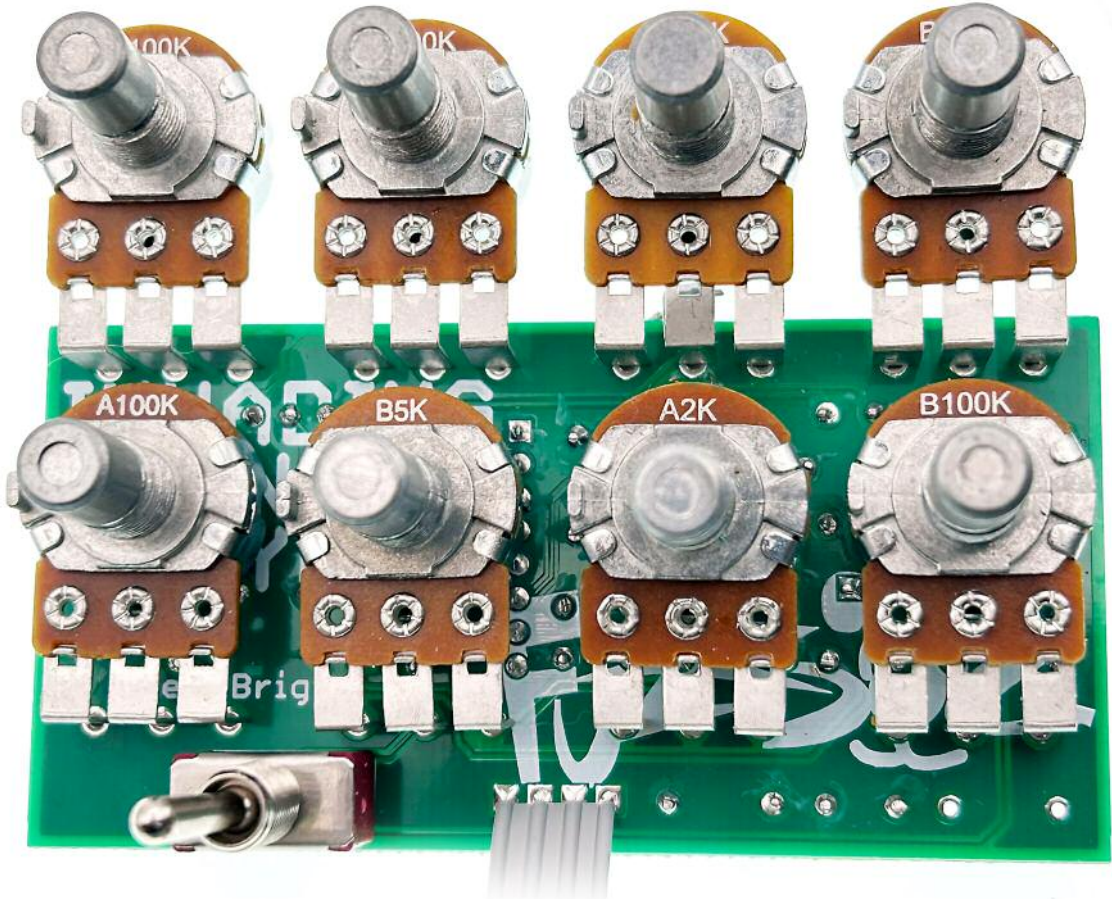




Snap the small metal tag off the pots so they can be mounted flush in the box.

You should solder all other board-mounted components before you solder the pots.

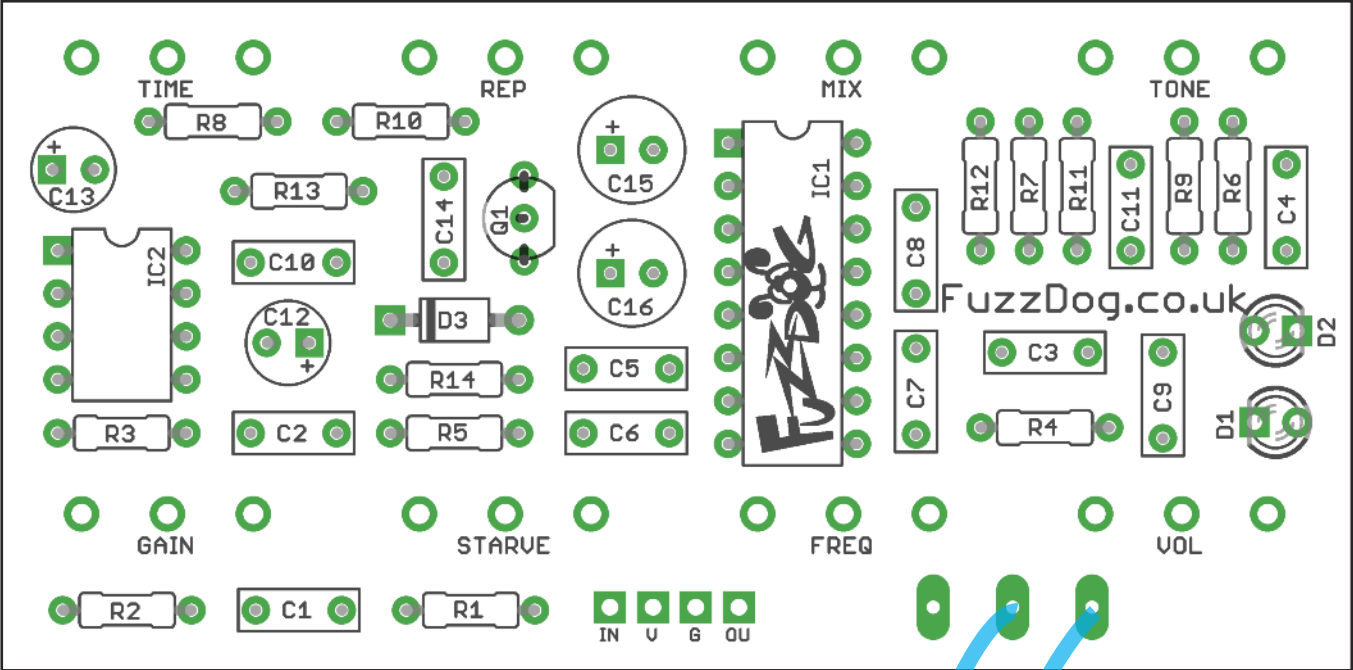
Once they're in place you'll have no access to much of the board.



OSC footswitch

Why not?

Momentary SPDT



Drilling template

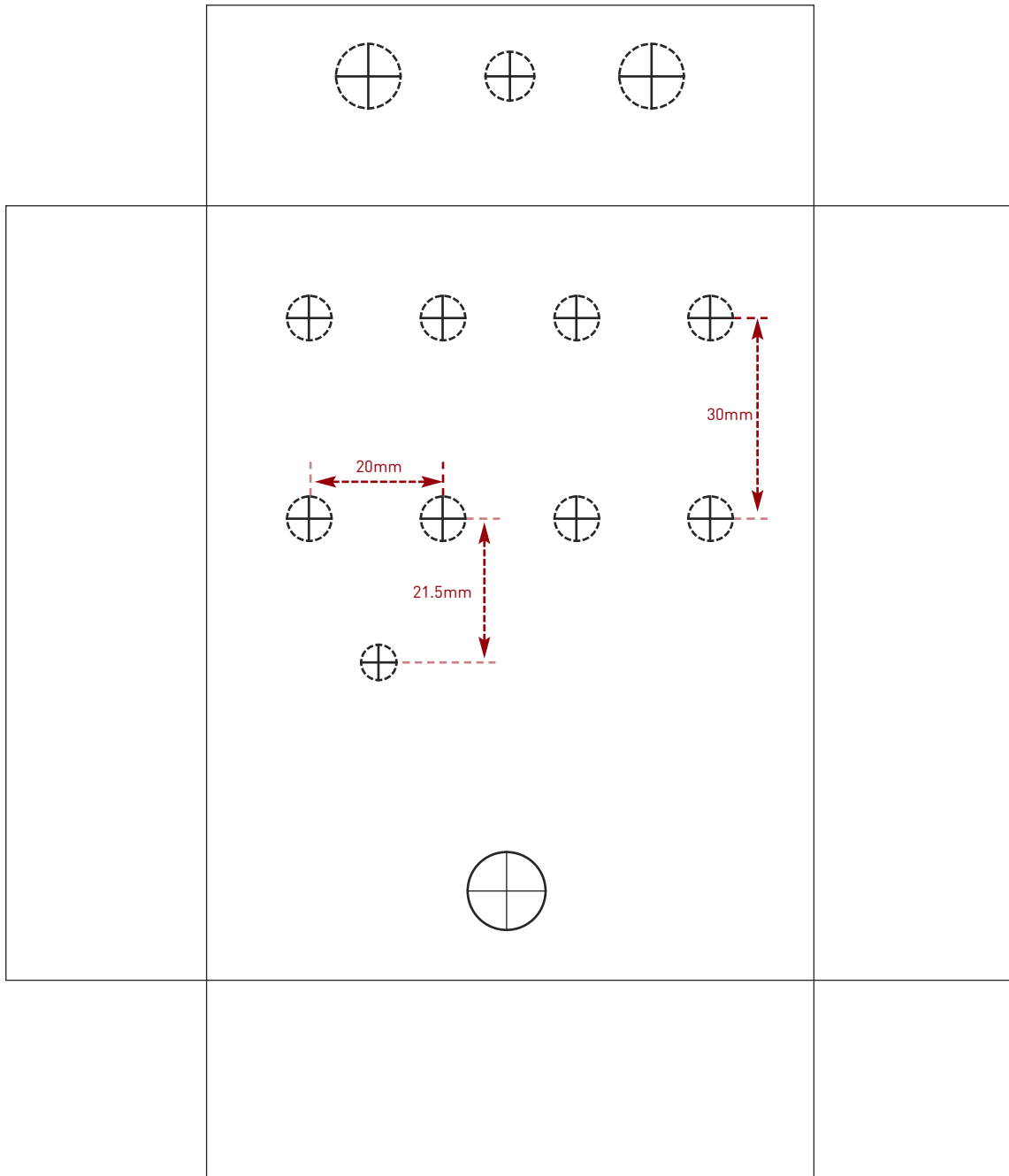
Hammond 1590BB

Drill sizes listed are minimum.

It's a good idea to add 1mm to anything mounted on the PCB that'll poke through the front of the enclosure.

Drill sizes:

Pots	7mm
Jacks	10mm
Footswitch	12mm
DC Socket	12mm
Toggle switches	6mm
Rotary switches	10mm



This template is a rough guide only. You should ensure correct marking of your enclosure before drilling. You use this template at your own risk.

Pedal Parts Ltd can accept no responsibility for incorrect drilling of enclosures.

FuzzDog.co.uk