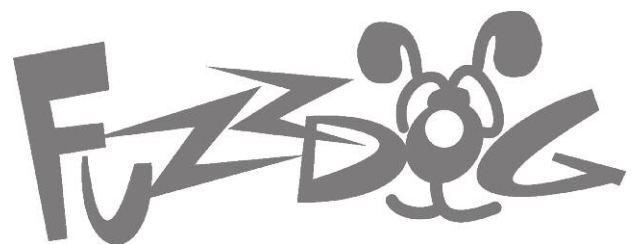
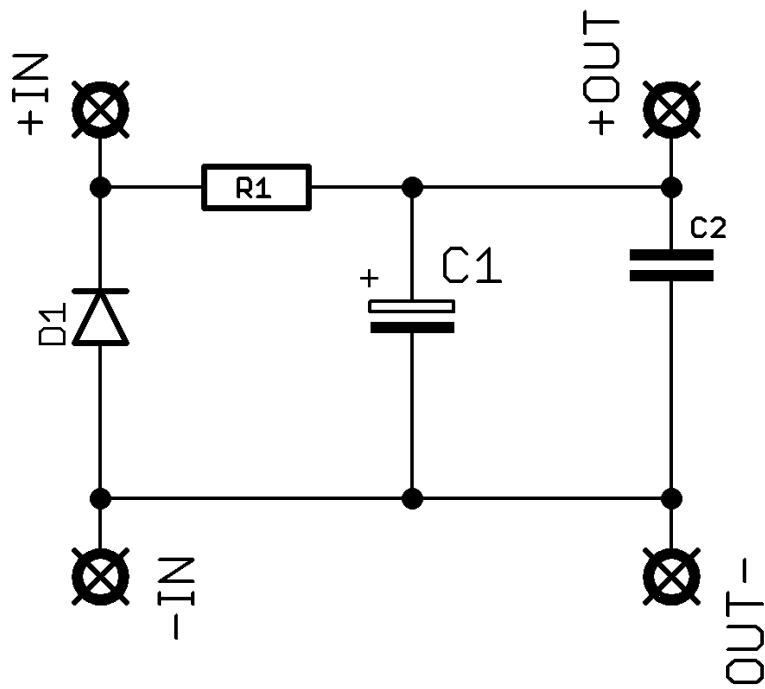


HumBuster v2

Kill the noise!

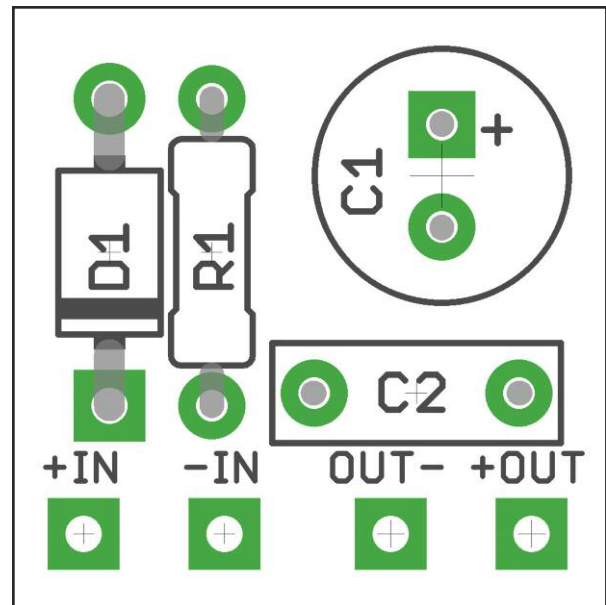


Schematic

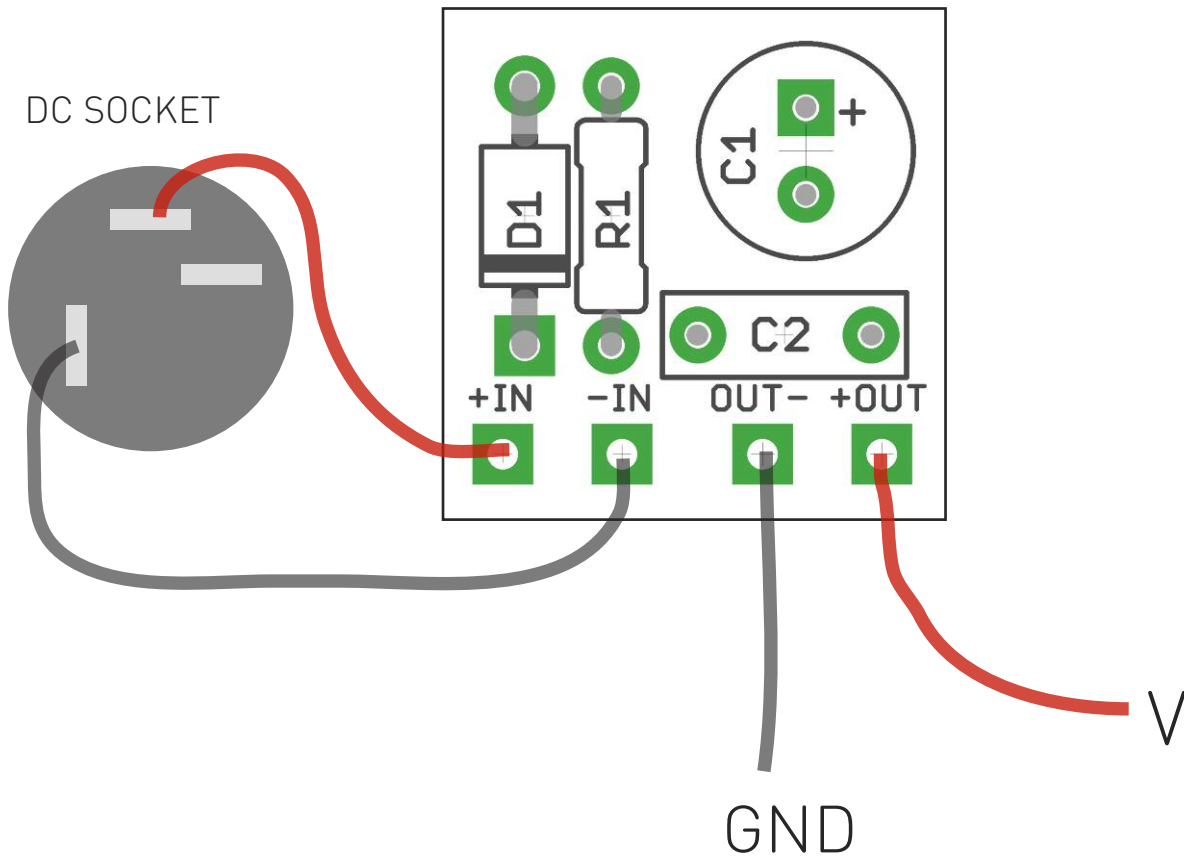


BOM

- R1** 100R minimum 1/2W rated
- C1** 100u minimum 50V rated
- C2** 47n minimum 50V rated
- D1** 1N4002 (or higher)



Wiring within a pedal



Simply place the HumBuster circuit in between your DC Socket and the rest of the build.

OUT- becomes your SUPPLY GROUND

OUT+ becomes your SUPPLY +V

It's that simple.

PedalParts.co.uk