

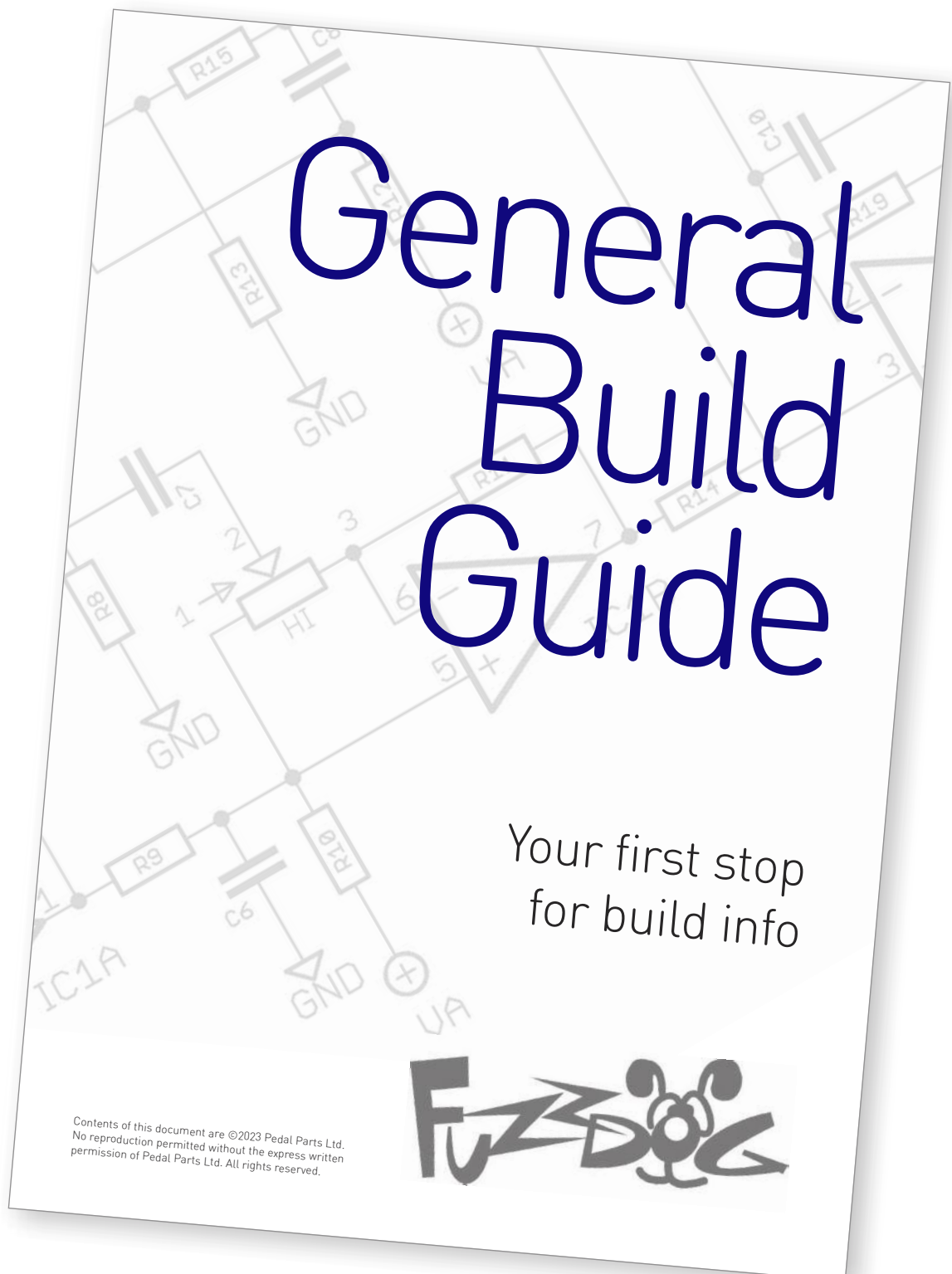
Heavy Screamer

808 modded for
max metal moxy

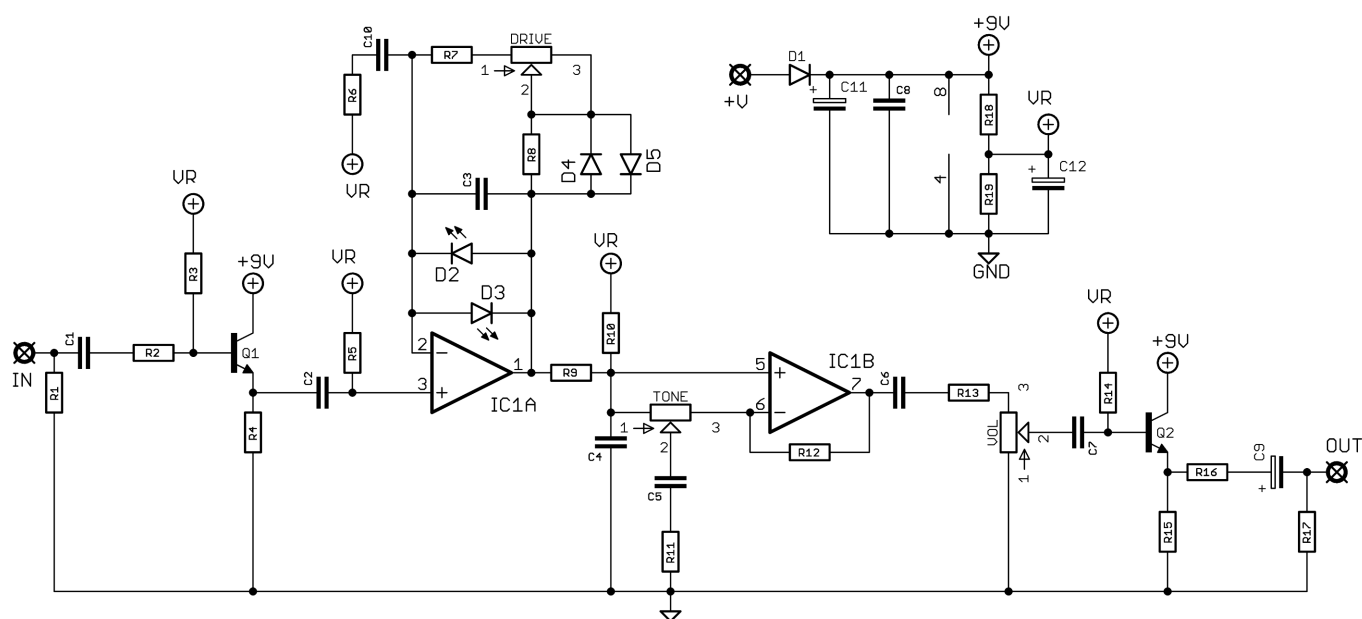


Before you dig in, ensure you download and read the **General Build Guide**.

It contains all the information you need for a successful outcome.

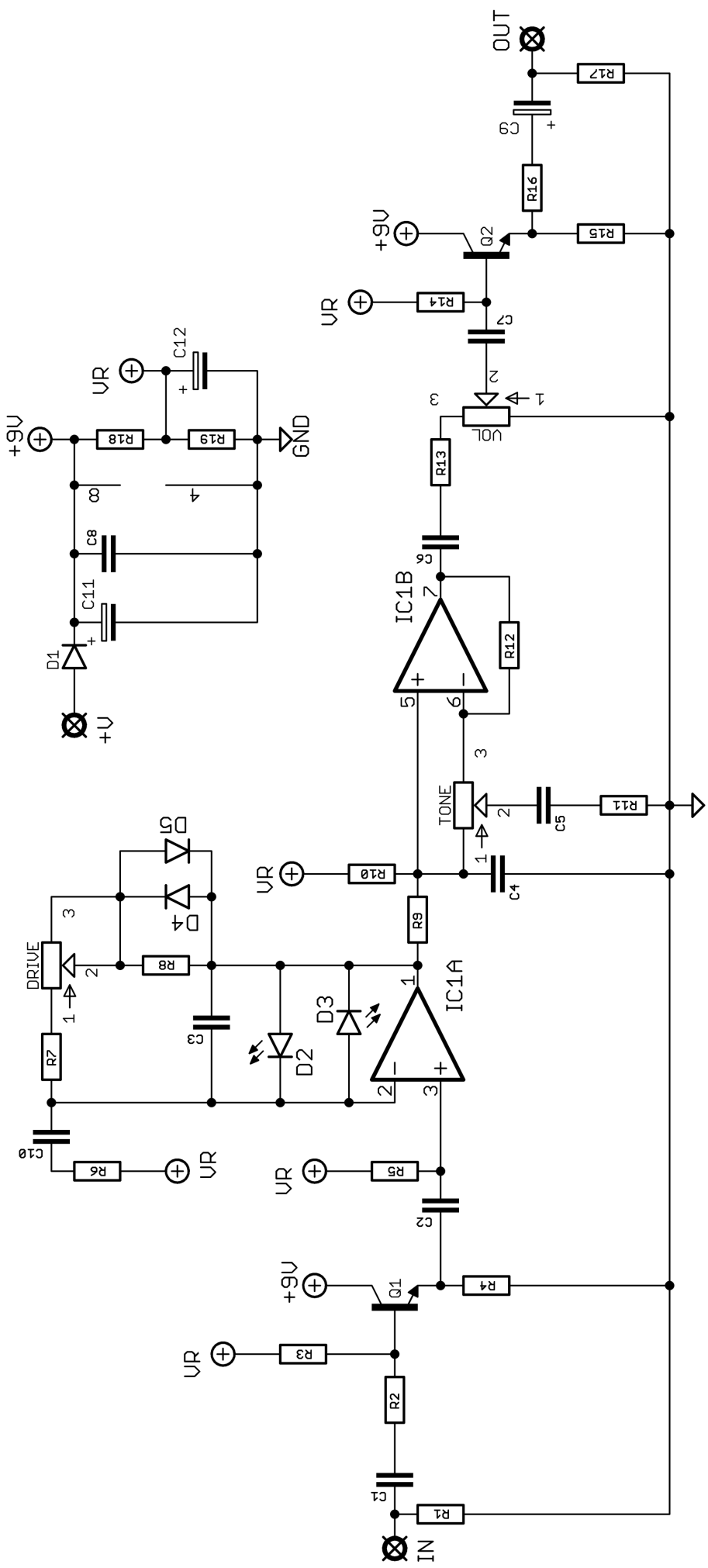


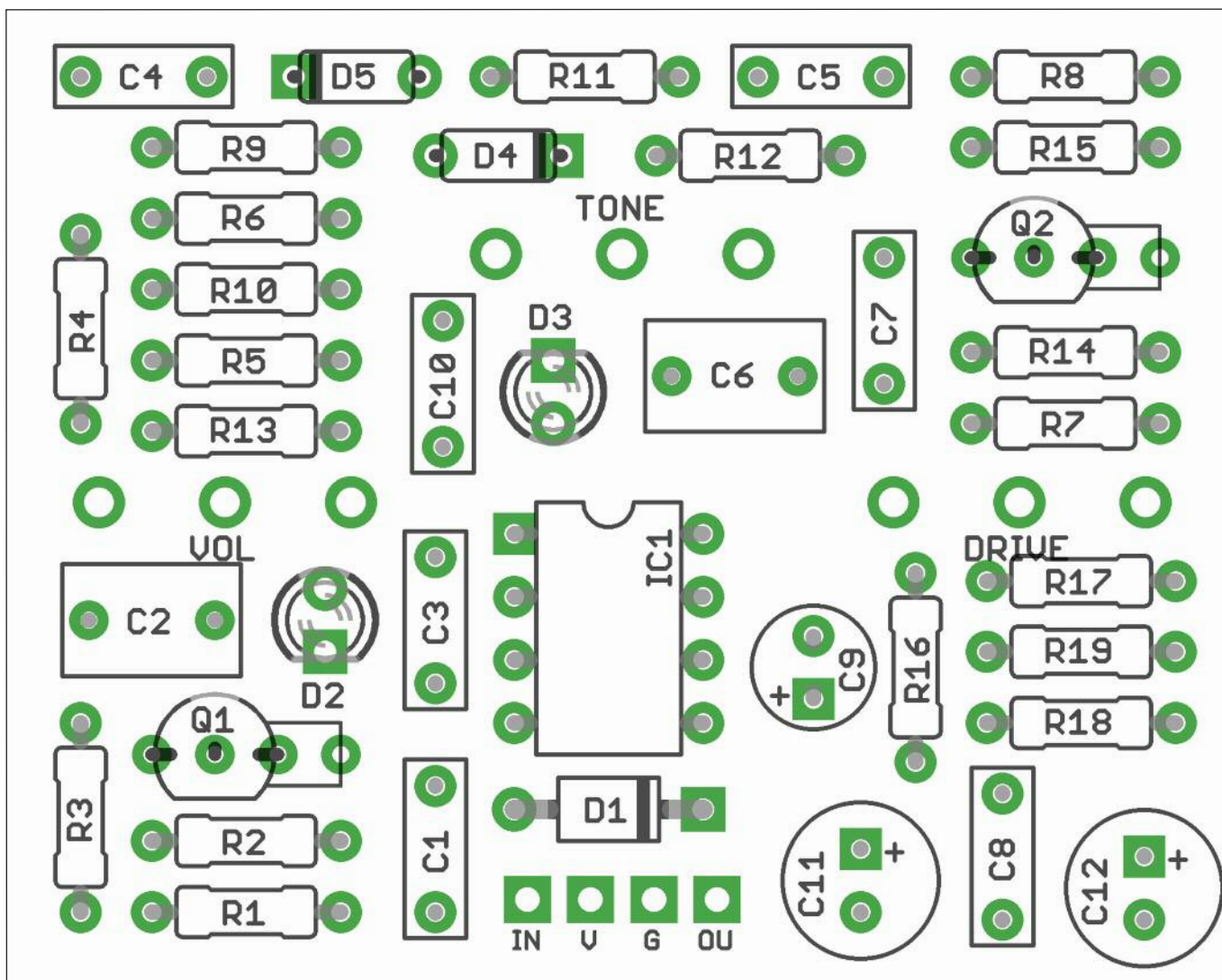
Schematic + BOM



R1	2M2	C1	47n	D1	1N5817
R2	1K	C2	1u	D2-3	3mm red LED
R3	510K	C3	51p	D4-5	1N4148
R4	10K	C4	220n	Q1-2	2SC1815*
R5	10K	C5	220n	IC1	4558
R6	1K8	C6	1u	GAIN	500KA
R7	33K	C7	100n	TONE	20KW
R8	220K	C8	100n	VOL	100KB
R9	1K	C9	10u elec		
R10	10K	C10	100n		
R11	220R	C11	100u elec		
R12	1K	C12	100u elec		
R13	1K				
R14	510K				
R15	10K				
R16	10K				
R17	10K				
R18	10K				
R19	10K				

*Other medium gain BJTs will be fine - 2N3904, 2N5088.
The outline of the Q1-2 spots on the PCB is correct for these transistors (EBC pinout). 2SC1815 are ECB, so need to mount using the extra pad - see the front cover image. Those are 2SC1815. More details on page 5.



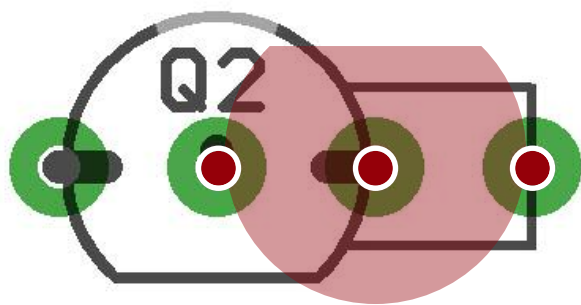


Snap the small metal tag off the pots so they can be mounted flush in the box.

You should solder all other board-mounted components before you solder the pot. Once they're in place you'll have no access to much of the board.

Transistors

Standard EBC mount as per the outline on the PCB. 2SC1815 mount as shown below.



Drilling template

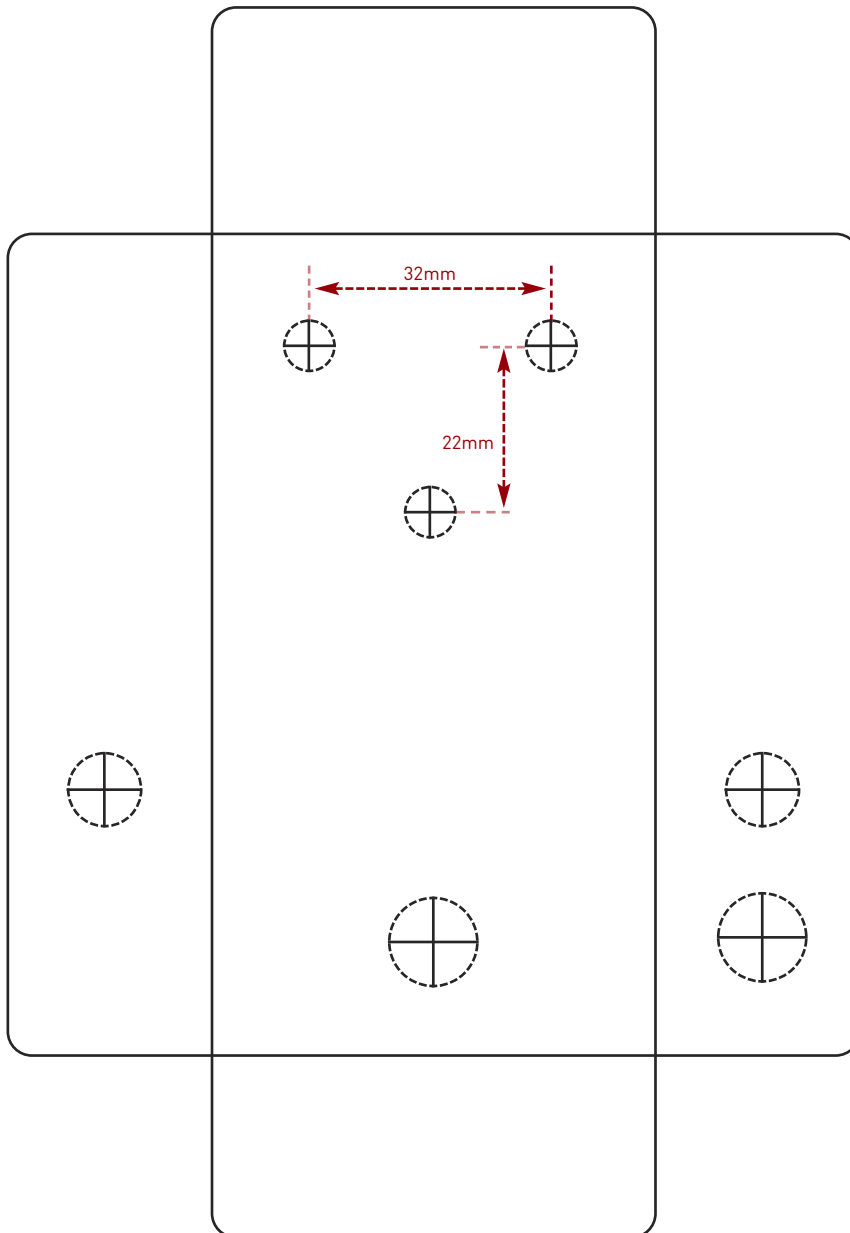
Hammond 1590B - 60 x 111 x 31mm

Drill sizes listed are minimum.

It's a good idea to add 1mm to anything mounted on the PCB that'll poke through the front of the enclosure.

Drill sizes:

Pots	7mm
Jacks	10mm
Footswitch	12mm
DC Socket	12mm
Toggle switches	6mm
Rotary switches	10mm



This template is a rough guide only. You should ensure correct marking of your enclosure before drilling. You use this template at your own risk.

Pedal Parts Ltd can accept no responsibility for incorrect drilling of enclosures.

FuzzDog.co.uk