

Grinder

Tweaky, touch-sensitive
discrete distortion device

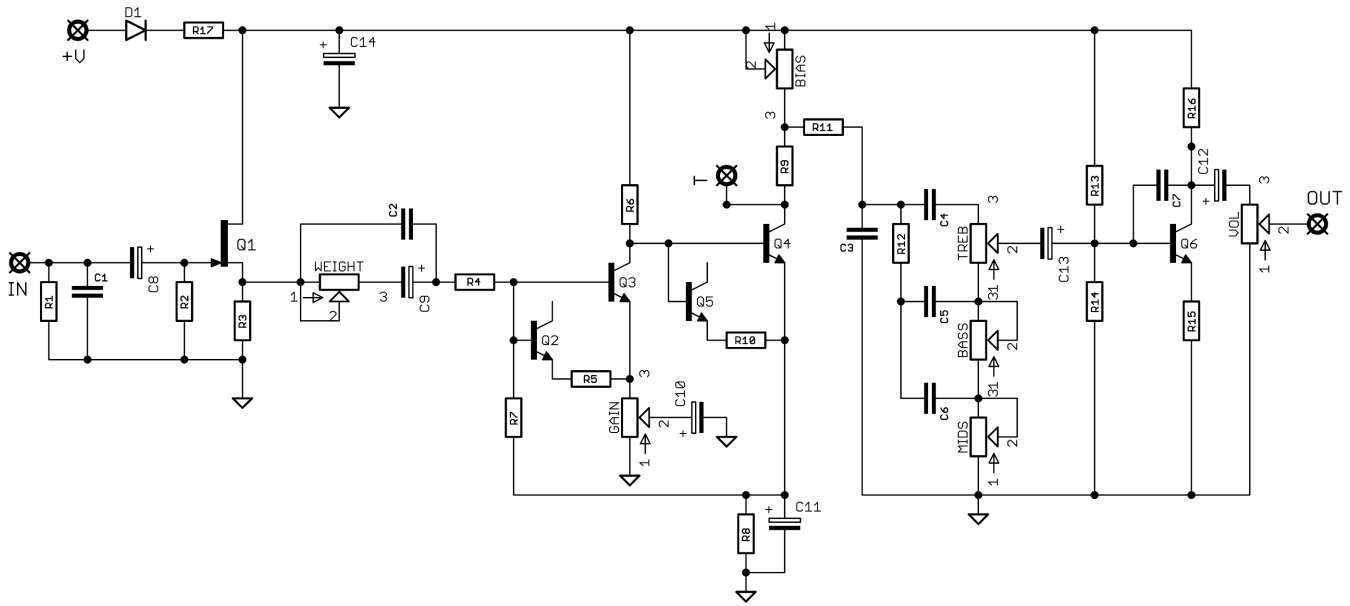


Before you dig in, ensure you download and read the **General Build Guide**.

It contains all the information you need for a successful outcome.

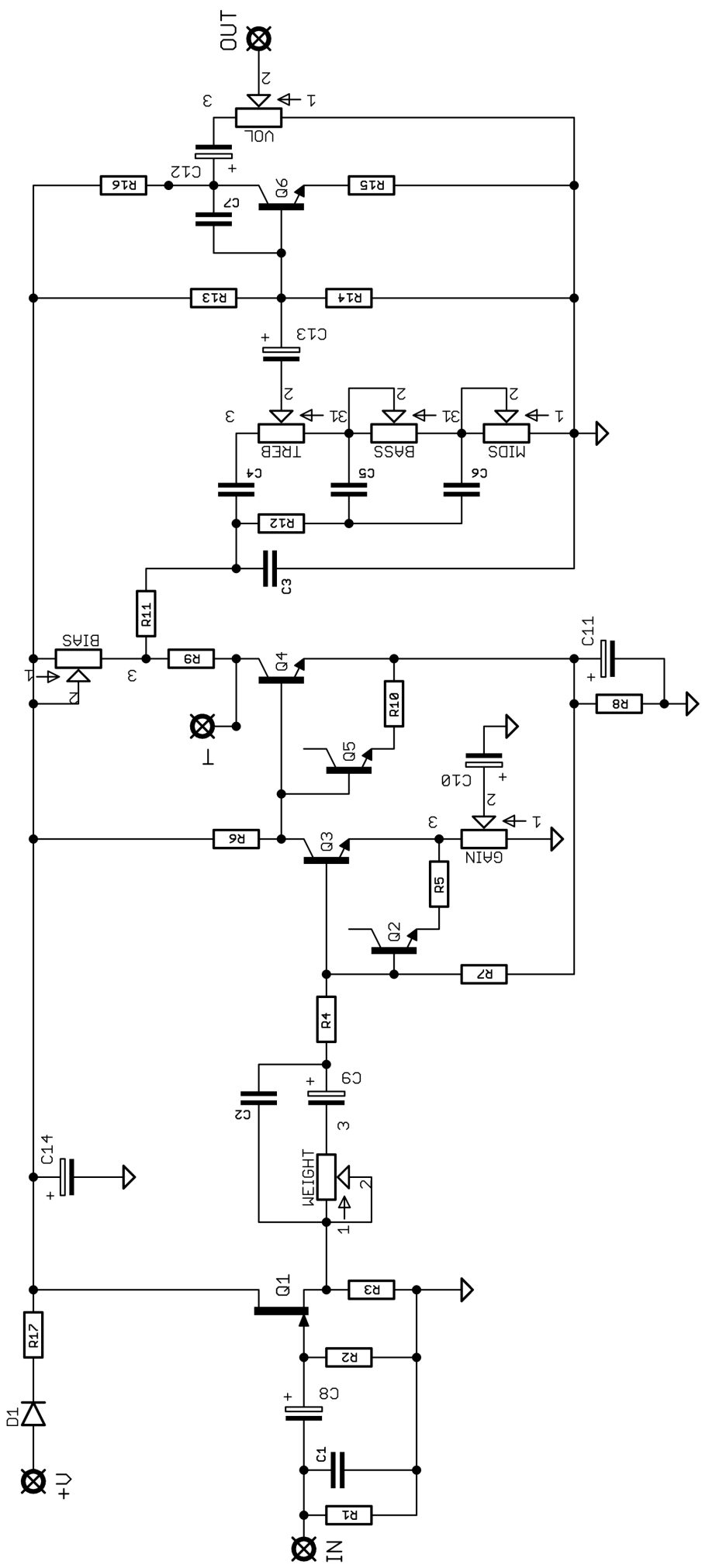


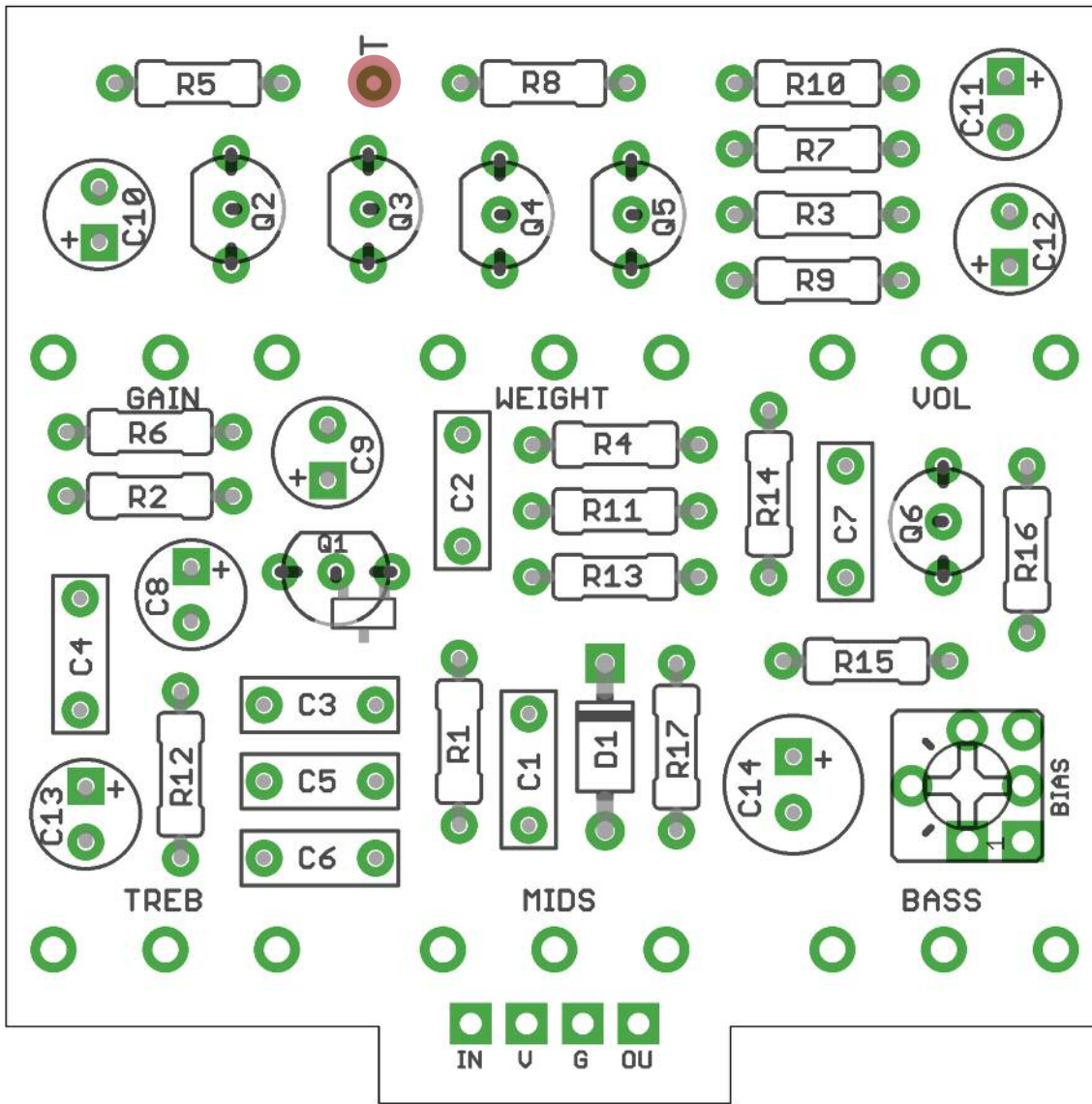
Schematic + BOM



R1	1M	C1	100p	Q1	2N5457*
R2	1M	C2	22n	Q2-6	2N3904
R3	4K7	C3	10n	D1	1N5817
R4	4K7	C4	470p	BASS	100KA
R5	10K	C5	220n	GAIN	5KB
R6	33K	C6	47n	MID	10KB
R7	100K	C7	220p	TREB	100KA
R8	1K	C8	2u2 elec	VOL	100KA
R9	1K	C9	10u elec	WEIGHT	100KC
R10	4K7	C10	22u elec	BASS	100KA
R11	4K7	C11	22u elec	BIAS	10K trimmer
R12	100K	C12	1u elec		
R13	470K	C13	1u elec		
R14	47K	C14	100u elec		
R15	560R				
R16	10K				
R17	100R				

*Original is 2N5103.





PCB layout ©2024, Pedal Parts Ltd.

Snap the small metal tag off the pots so they can be mounted flush in the box.

You should solder all other board-mounted components before you solder the pots.

Once they're in place you'll have no access to much of the board.

BIASING

Adjust the trimmer while measuring the voltage on the T pad.

Original units are set at 5.1V



Drilling template

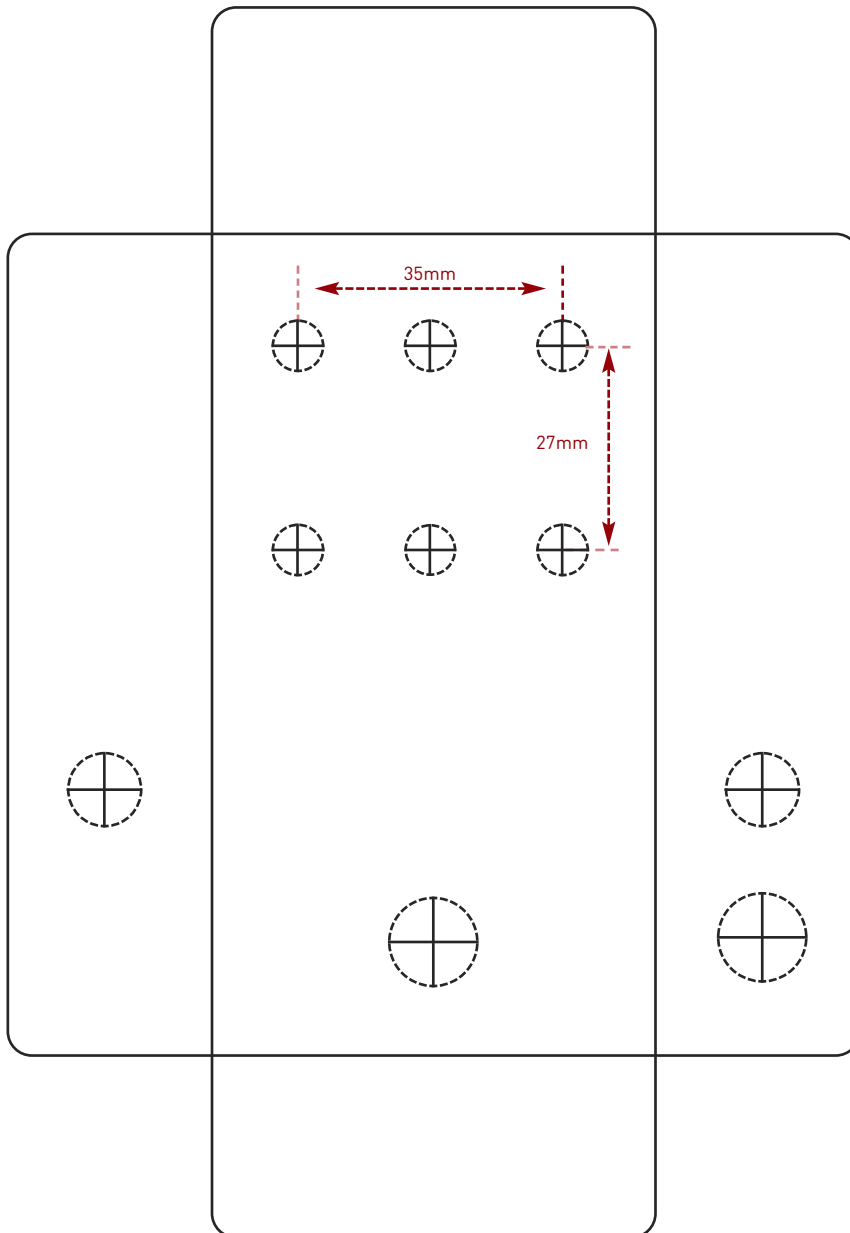
Hammond 1590B - 60 x 111 x 31mm

Drill sizes listed are minimum.

It's a good idea to add 1mm to anything mounted on the PCB that'll poke through the front of the enclosure.

Drill sizes:

Pots	7mm
Jacks	10mm
Footswitch	12mm
DC Socket	12mm
Toggle switches	6mm
Rotary switches	10mm



This template is a rough guide only. You should ensure correct marking of your enclosure before drilling. You use this template at your own risk.

Pedal Parts Ltd can accept no responsibility for incorrect drilling of enclosures.

FuzzDog.co.uk