

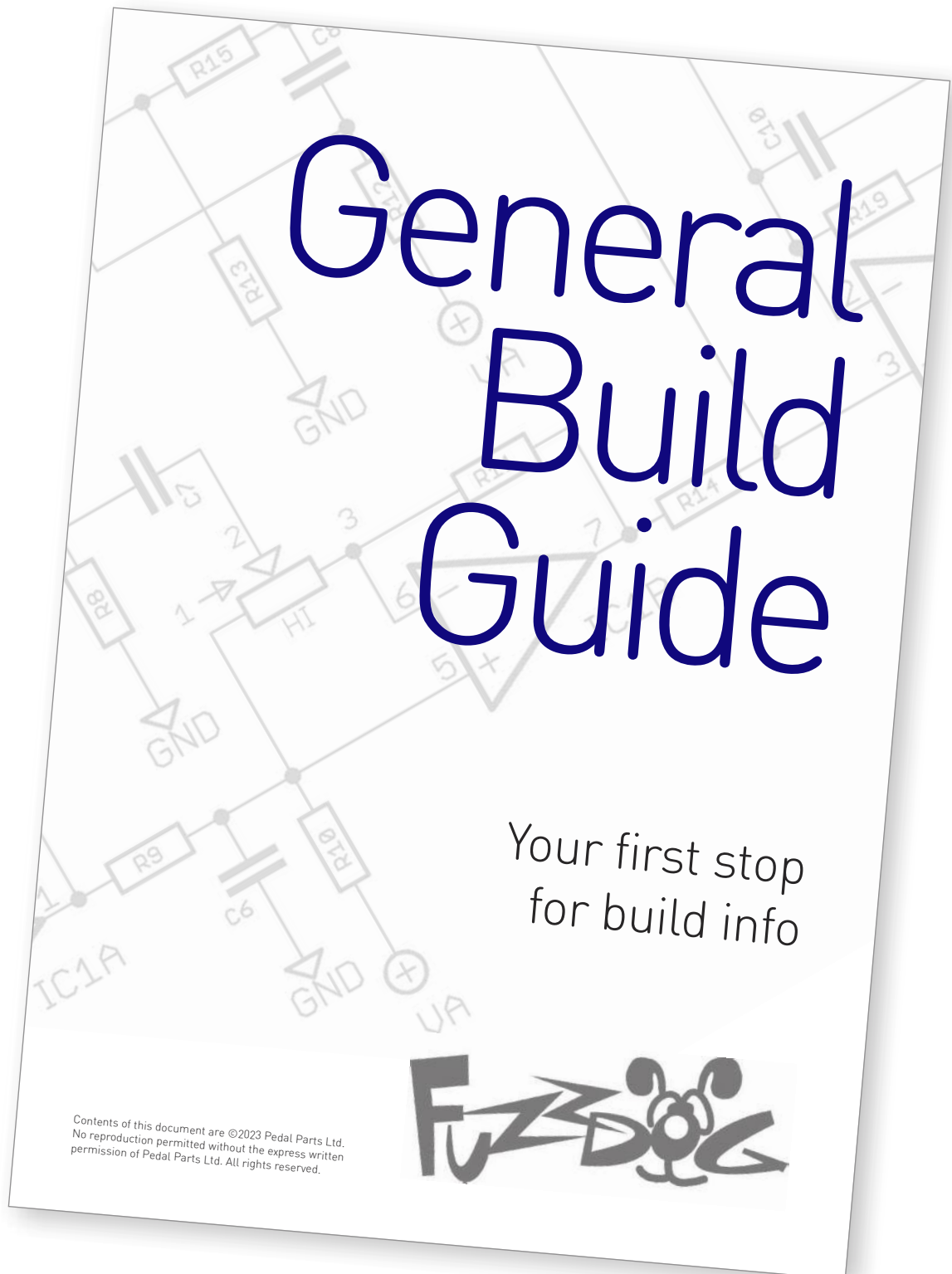
Gory Digit

Mash up of a Tube Sound Fuzz
and a Cry Baby

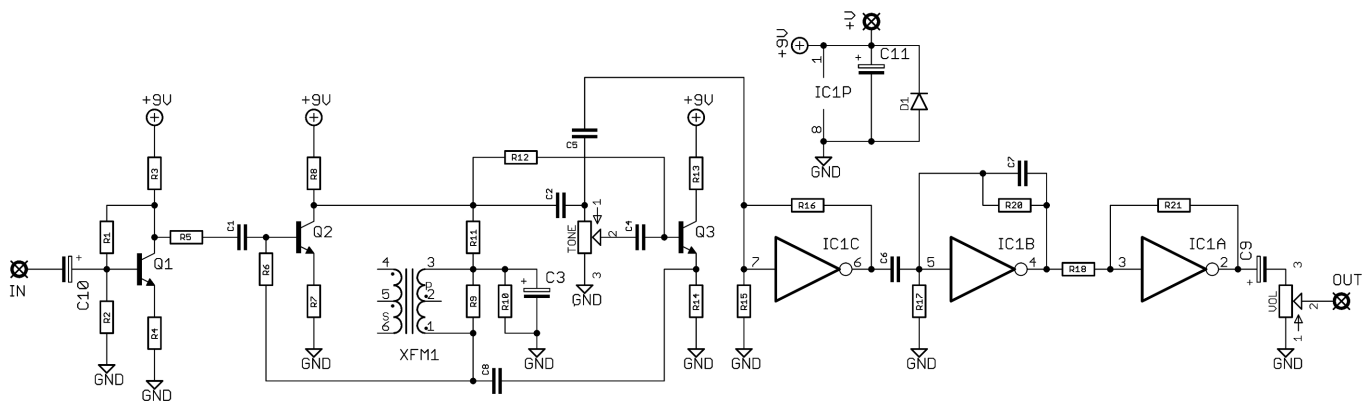


Before you dig in, ensure you download and read the **General Build Guide**.

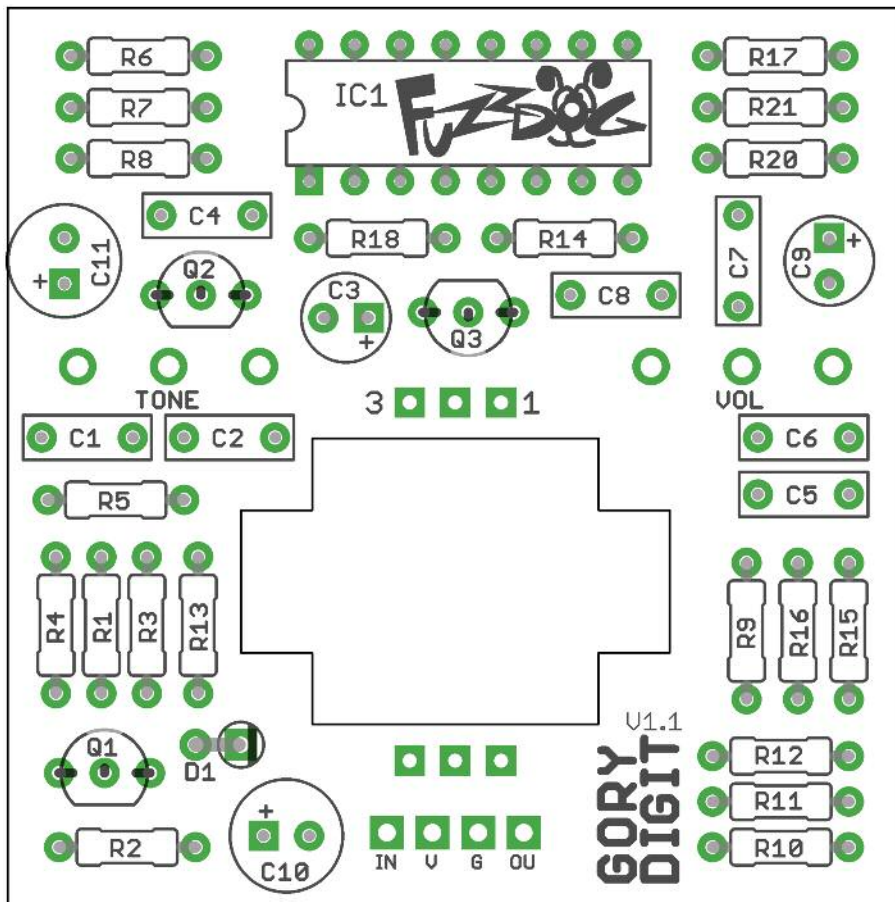
It contains all the information you need for a successful outcome.



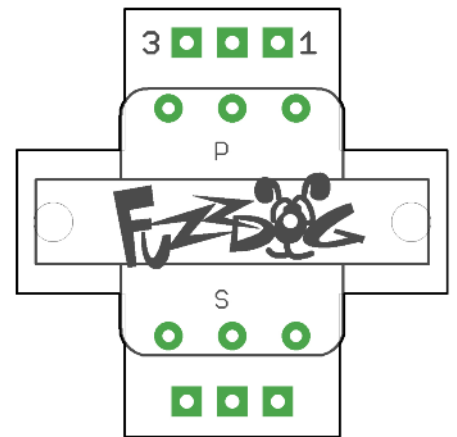
Schematic + BOM



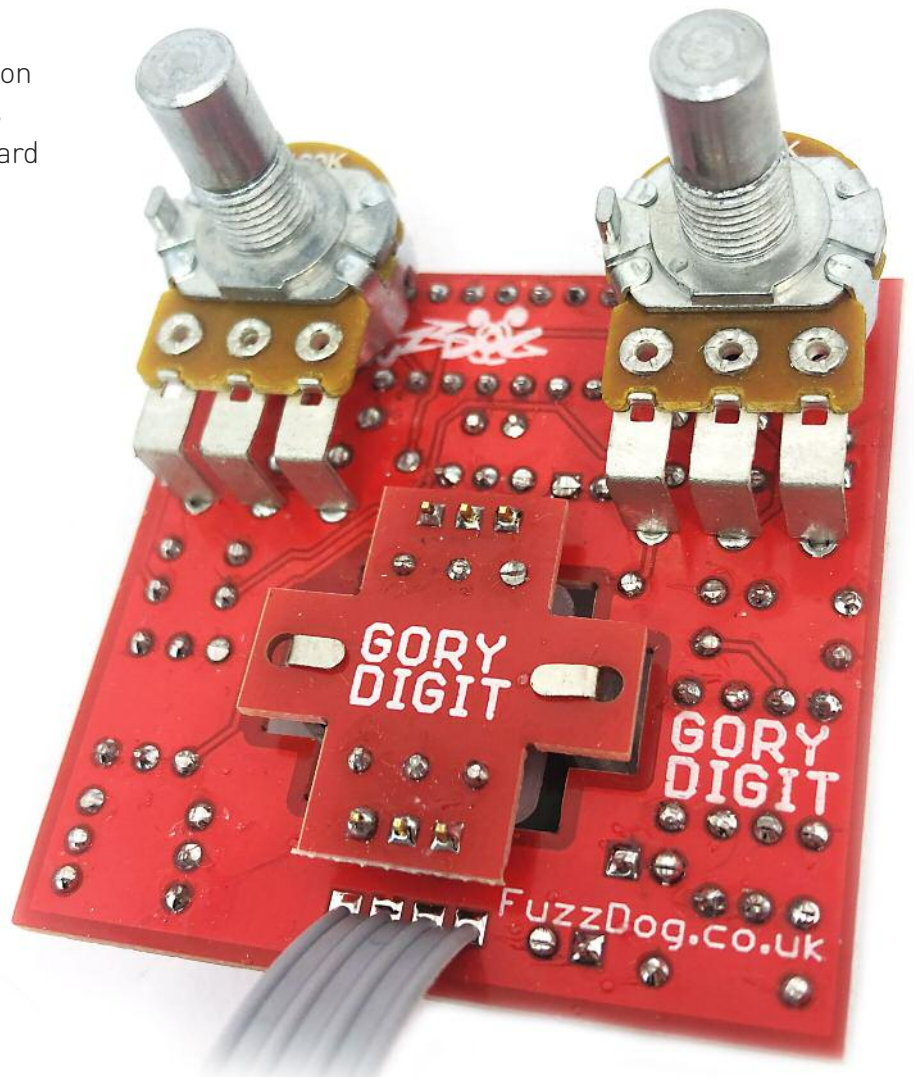
R1	470K	C1	10n	D1	1N4001
R2	220K	C2	220n	Q1	2N5088
R3	10K	C3	4u7 elec	Q2-3	2N5210
R4	150R	C4	220n	IC1	CD4049UBE
R5	68K	C5	100n	TONE	100KB
R6	1K5	C6	100n	VOL	100KA
R7	470R	C7	22p	XFM1	42TM013
R8	22K	C8	22n		
R9	330K	C9	4u7 elec		
R10	82K	C10	22u elec		
R11	470K	C11	47u elec		
R12	470K				
R13	1K				
R14	10K				
R15	1M5				
R16	150K				
R17	2M2				
R18	220K				
R20	150K				
R21	22K				



PCB layout © 2023 Pedal Parts Ltd.



As you can see on the cover image, the transformer switch is mounted on a separate daughterboard. This has been designed to mount with standard header pins (2 x 3-way).



Drilling template

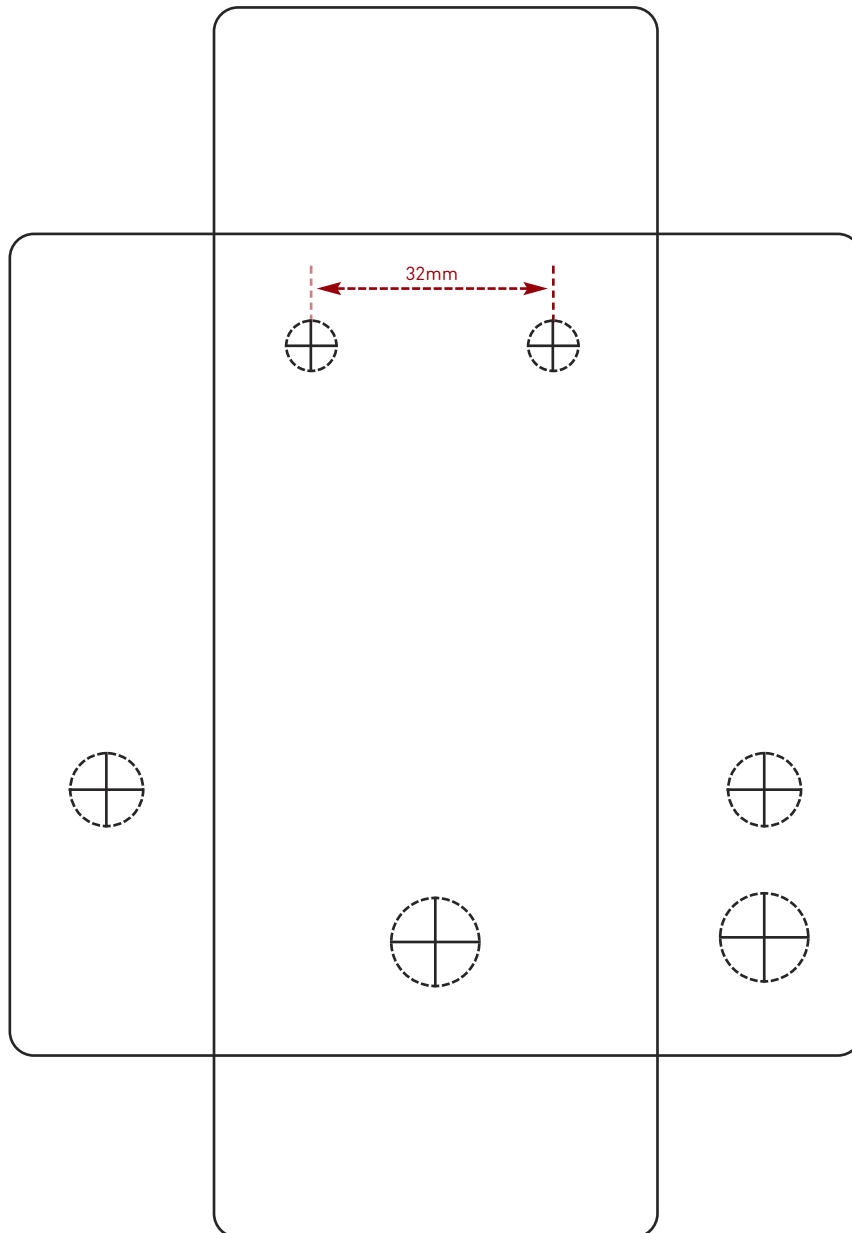
Hammond 1590B - 60 x 111 x 31mm

Drill sizes listed are minimum.

It's a good idea to add 1mm to anything mounted on the PCB that'll poke through the front of the enclosure.

Drill sizes:

Pots	7mm
Jacks	10mm
Footswitch	12mm
DC Socket	12mm
Toggle switches	6mm
Rotary switches	10mm



This template is a rough guide only. You should ensure correct marking of your enclosure before drilling. You use this template at your own risk.

Pedal Parts Ltd can accept no responsibility for incorrect drilling of enclosures.

FuzzDog.co.uk