

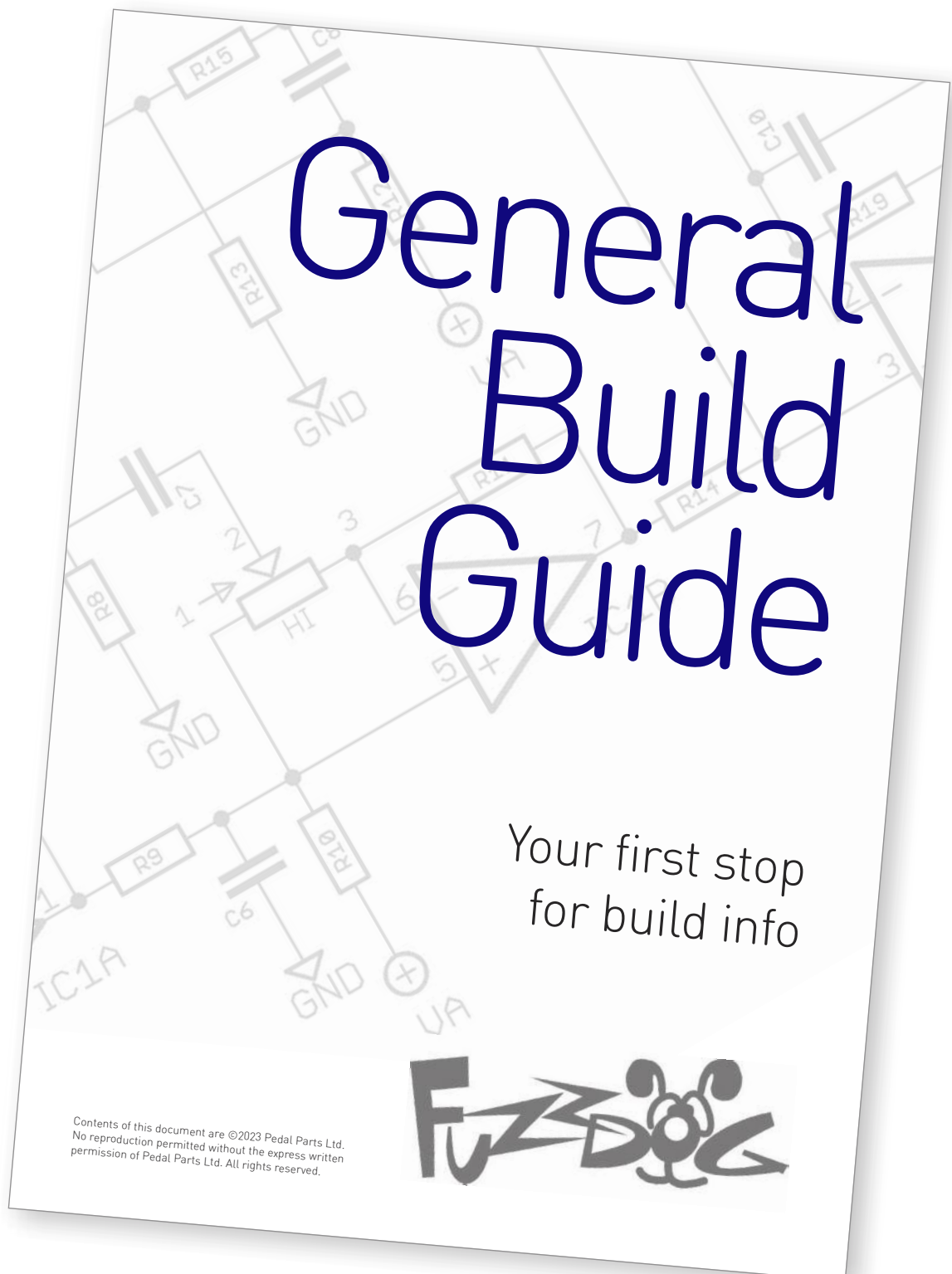
Four-Knob God

Expanded and filthier signature
version of the One-Knob God

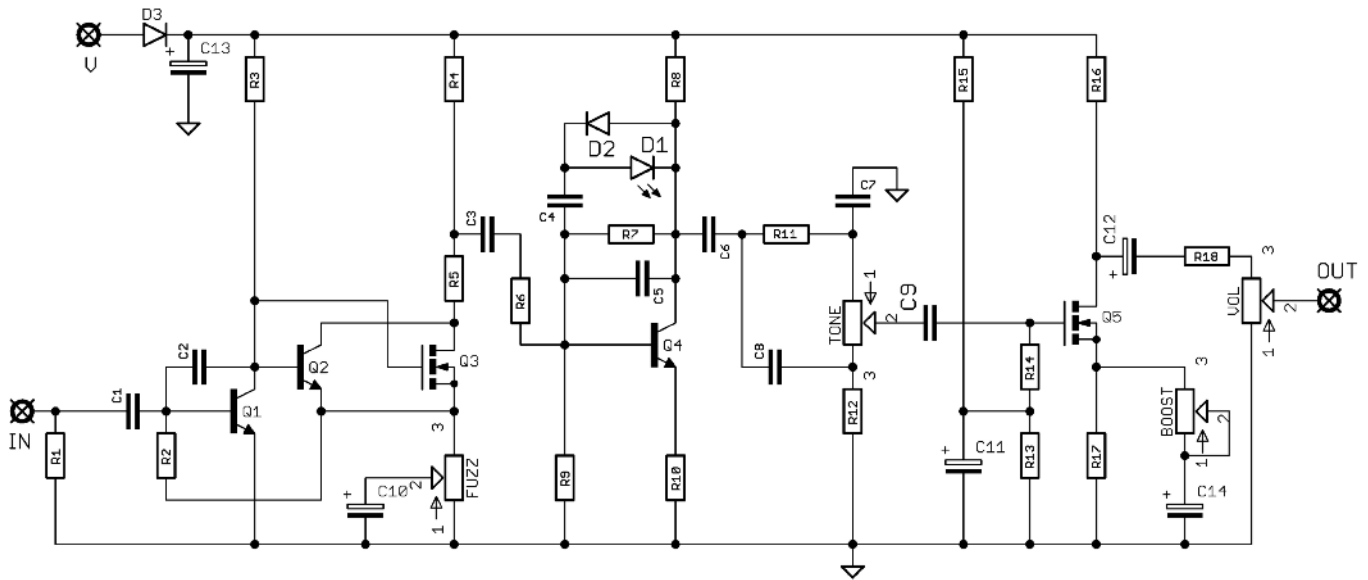


Before you dig in, ensure you download and read the **General Build Guide**.

It contains all the information you need for a successful outcome.



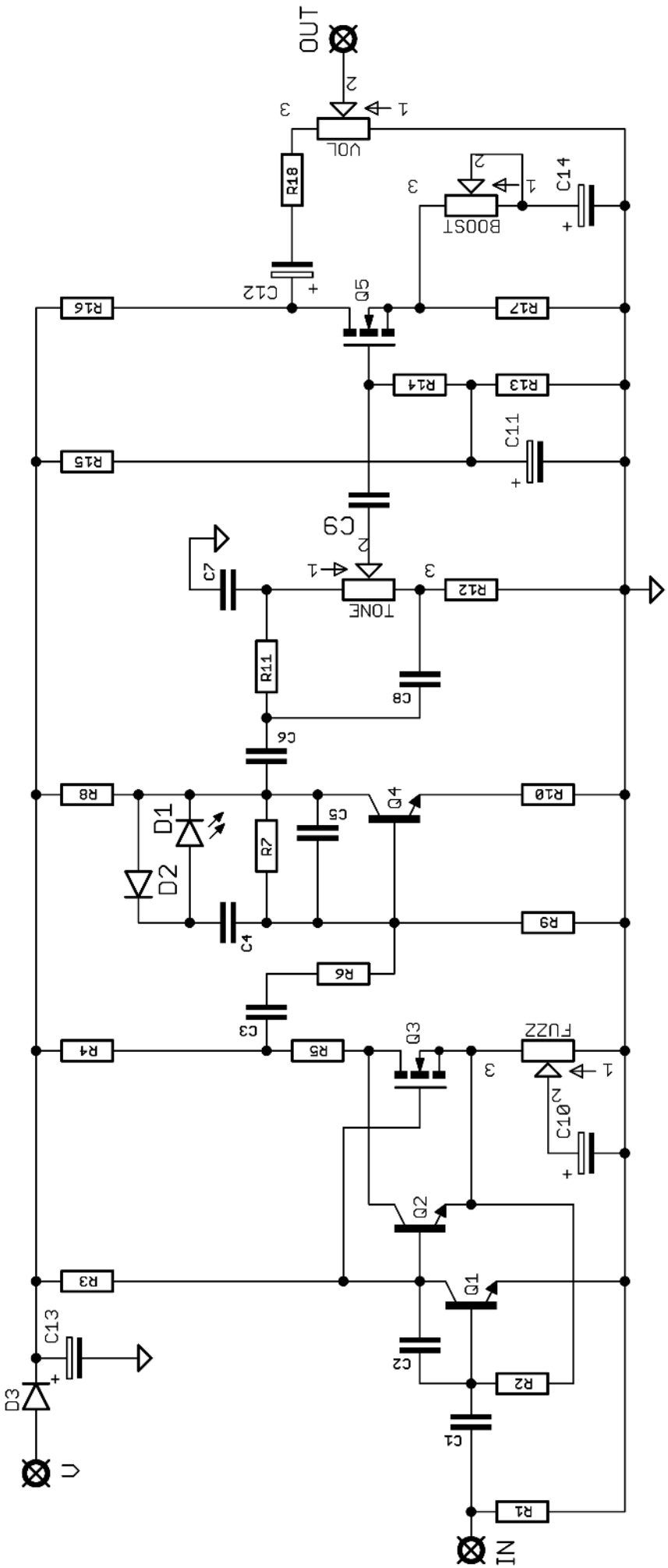
Schematic + BOM

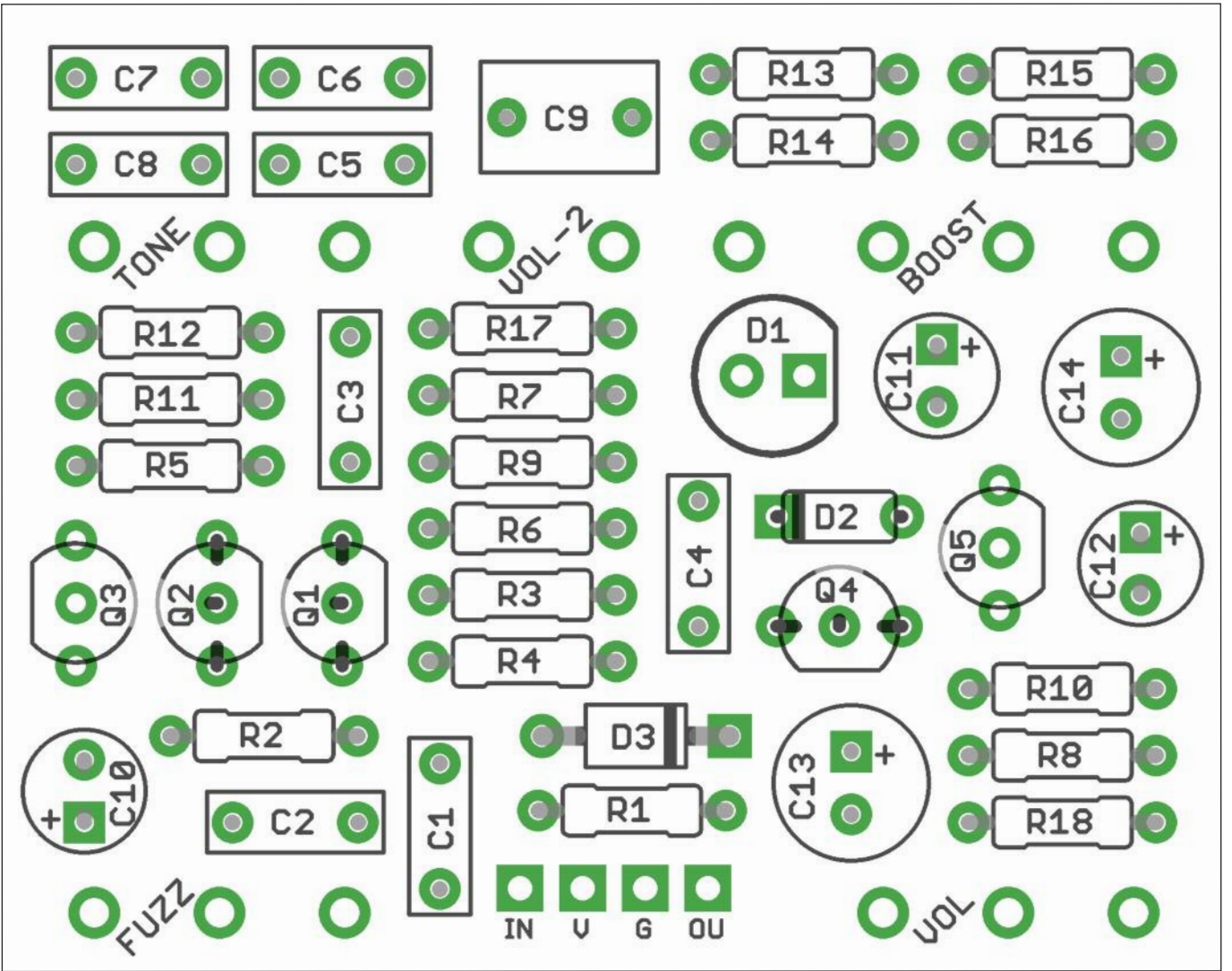


R1	1M	C1	33n	D1	3mm Red LED
R2	100K	C2	820p	D2	1N4148
R3	27K	C3	100n	D3	1N5817
R4	820R	C4	100n	Q1	PN2222
R5	5K1	C5	470p	Q2	2N3904
R6	33K	C6	100n	Q3	BS170
R7	470K	C7	4n7	Q4	2N5088
R8	15K	C8	4n7	Q5	BS170
R9	100K	C9	1u		
R10	47R	C10	10u elec		
R11	33K	C11	10u elec	VOL	100KB
R12	33K	C12	10u elec	FUZZ	1KC
R13	100K	C13	100u elec	BOOST	5KC
R14	1M	C14	100u elec	TONE	100KB
R15	62K				
R16	2K7				
R17	2K7				
R18	330R				

Feel free to play around with other BJT transistors in Q1, 2 and 4.

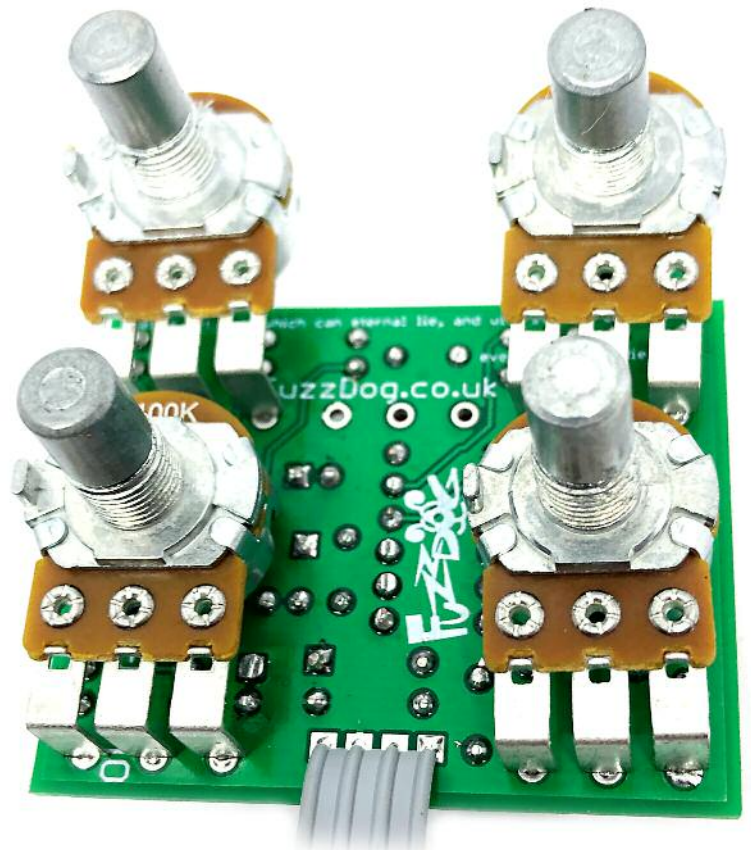
VOL-2 stays empty.





Snap the small metal tag off the pots so they can be mounted flush in the box.

You should solder all other board-mounted components before you solder the pot. Once they're in place you'll have no access to much of the board.



Drilling template

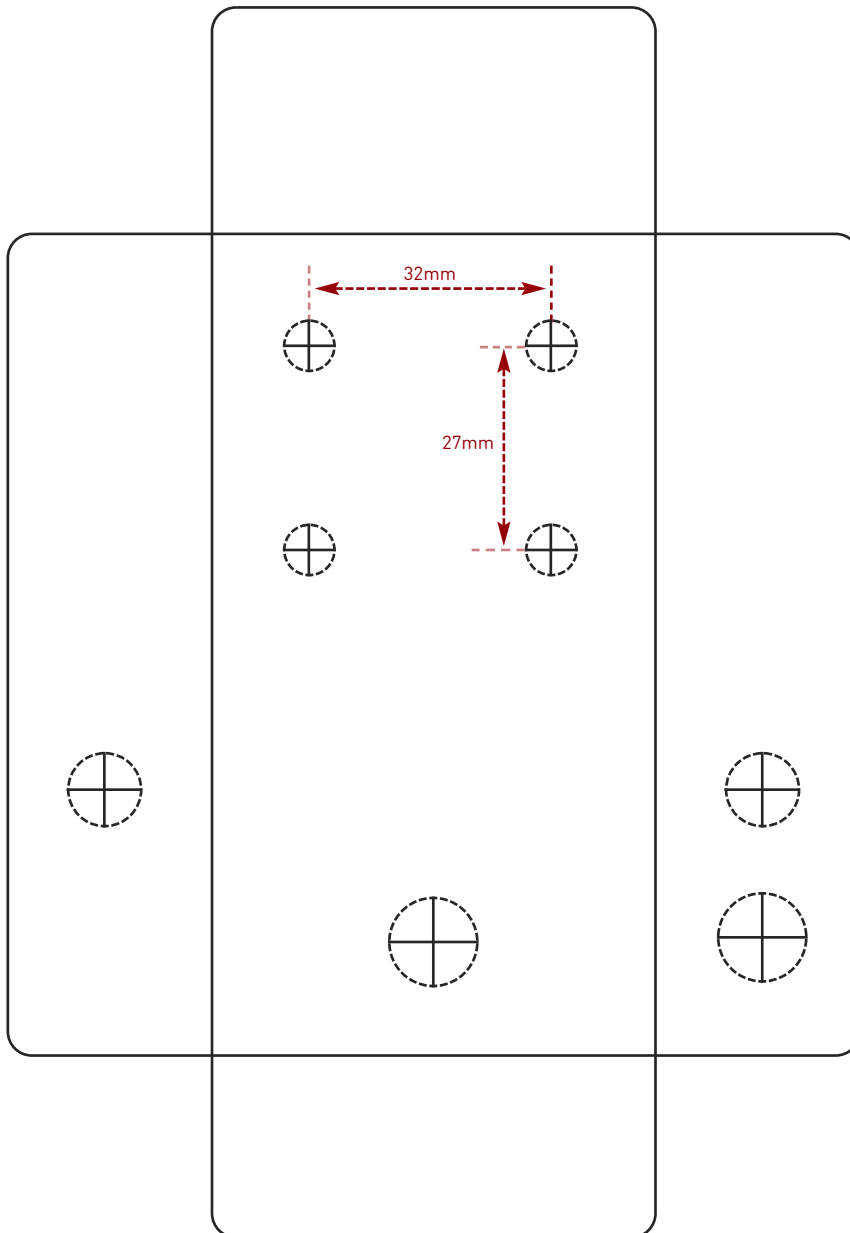
Hammond 1590B - 60 x 111 x 31mm

Drill sizes listed are minimum.

It's a good idea to add 1mm to anything mounted on the PCB that'll poke through the front of the enclosure.

Drill sizes:

Pots	7mm
Jacks	10mm
Footswitch	12mm
DC Socket	12mm
Toggle switches	6mm
Rotary switches	10mm



This template is a rough guide only. You should ensure correct marking of your enclosure before drilling. You use this template at your own risk.

Pedal Parts Ltd can accept no responsibility for incorrect drilling of enclosures.

FuzzDog.co.uk