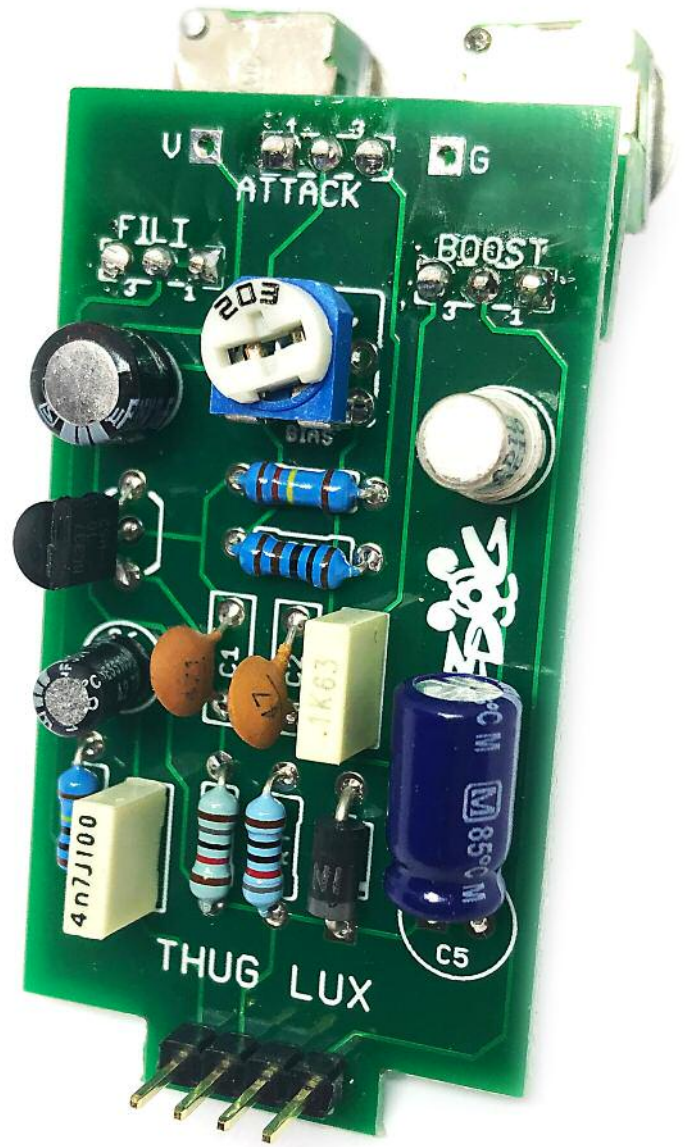


# FUZZPUP



## Thug Lux

Meaty tweakable  
fuzz beast



# IMPORTANT

## Before you start...

Grab the general build doc that covers all FuzzPup V2 builds.  
Most of the information you need for this build is in there.

Read it? OK, carry on.



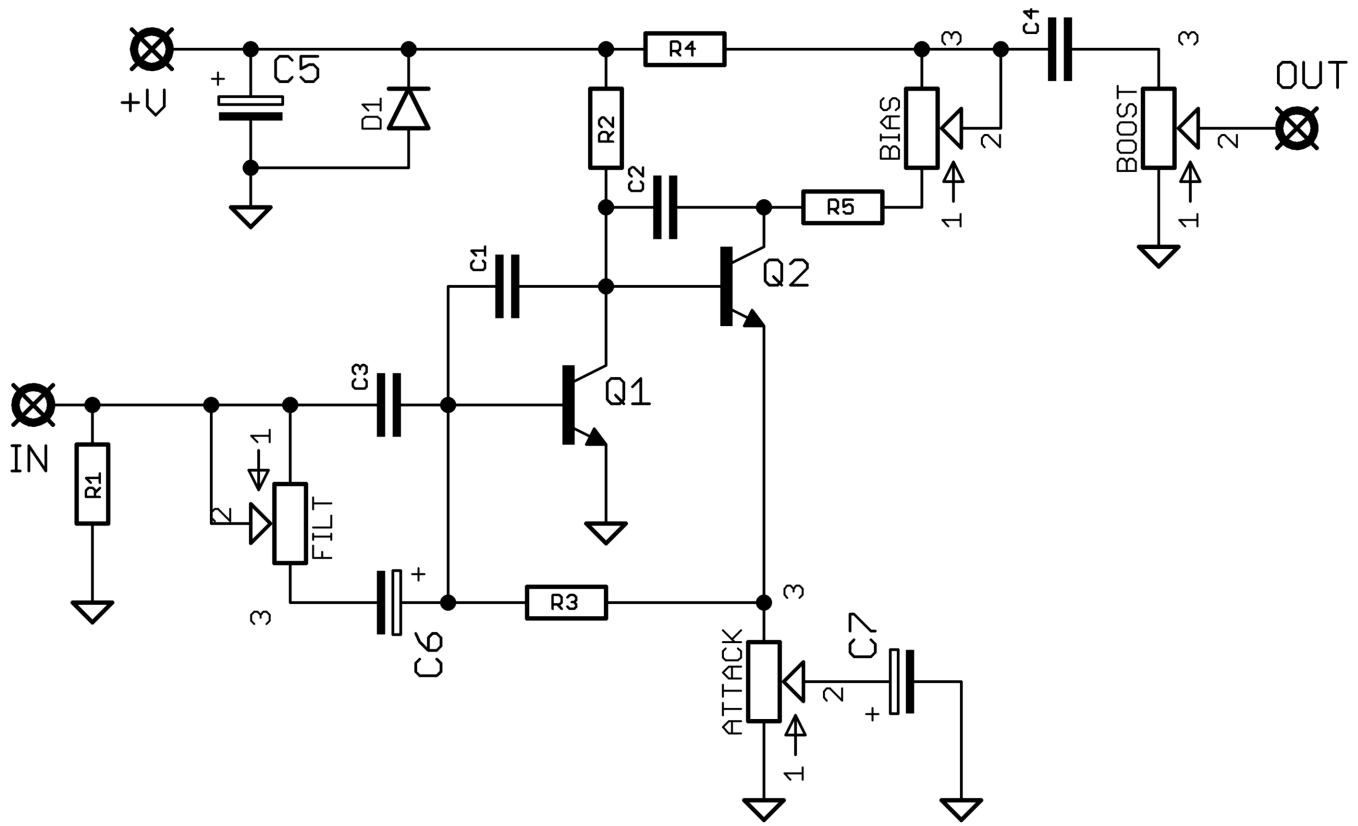
## FuzzPups v2

Lovely little boxes of joy with a  
standardised build pattern



Contents of this document are ©2022 Pedal Parts Ltd.  
No reproduction permitted without the express written  
permission of Pedal Parts Ltd. All rights reserved.

# Schematic + BOM

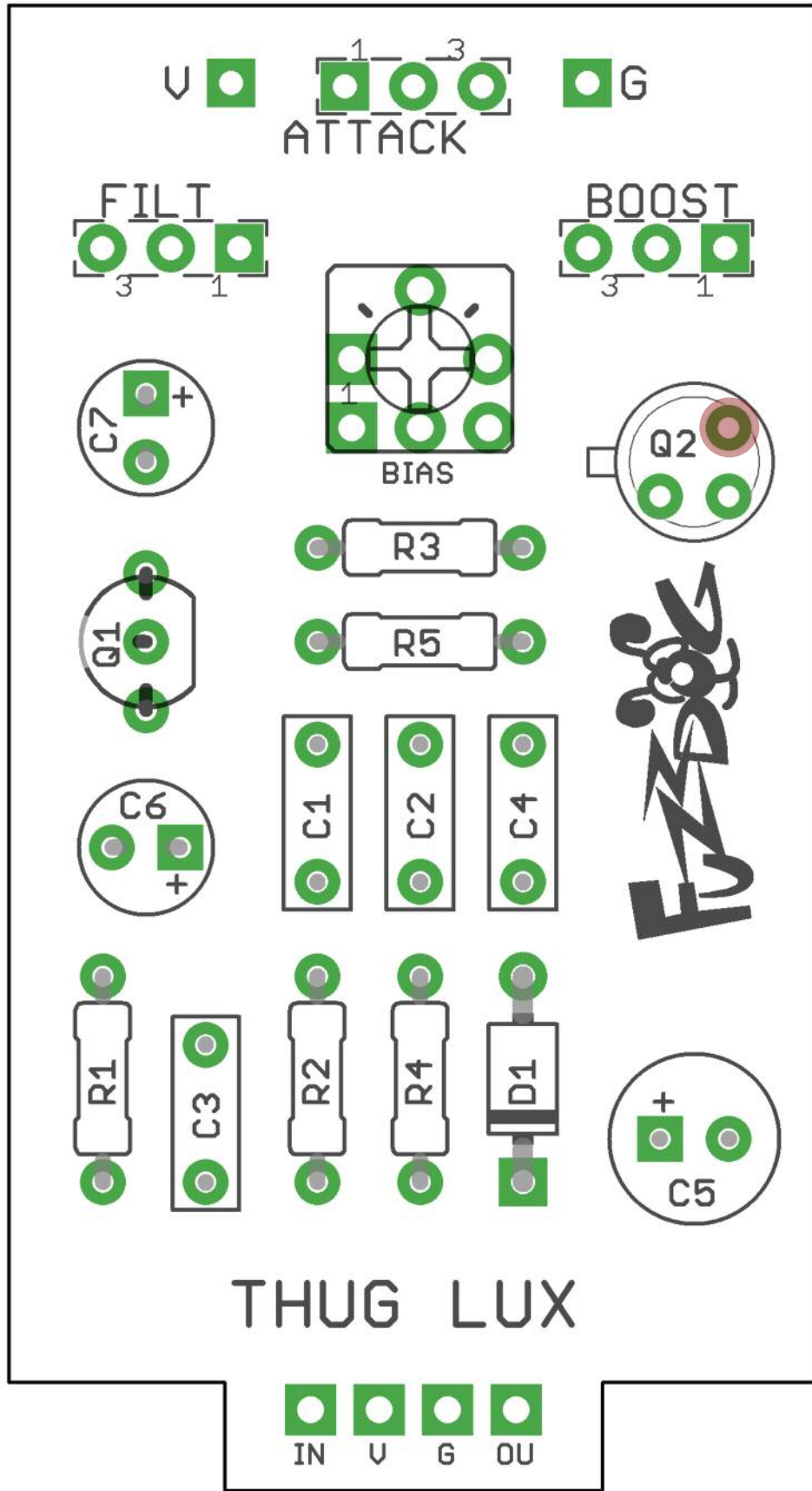


|      |             |    |           |      |          |
|------|-------------|----|-----------|------|----------|
| R1   | 1M          | C1 | 470p      | Q1   | BC337-17 |
| R2   | 18K         | C2 | 47p       | Q2   | BC107B   |
| R3   | 120K        | C3 | 47n       | D1   | 1N5817   |
| R4   | 820R        | C4 | 100n      |      |          |
|      |             | C5 | 100u elec |      |          |
| BIAS | 20K Trimmer | C6 | 1u elec   | FILT | 100KB    |
|      |             | C7 | 22u elec  | ATT  | 1KB      |
|      |             |    |           | VOL  | 500KB*   |

\*Labelled as BOOST on the PCB. It must have been a long day...

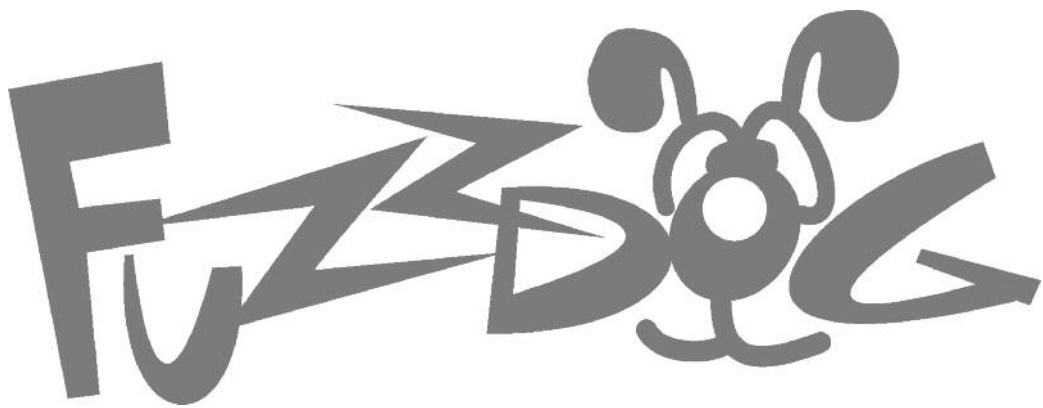
C5 should be placed flat against the PCB as shown on the cover image.

The trimmer is used to set the bias of Q2. This is best done by ear - tweak it until you get your preferred balance of fuzz vs gating. You can set it with a meter, measuring the voltage on the collector of Q2 (marked in red on next page). Aim for around half your supply voltage and again, adjust a little to taste.



Everything else you need is in the  
general build doc you've already read.

Head back to that.



**[FuzzDog.co.uk](http://FuzzDog.co.uk)**