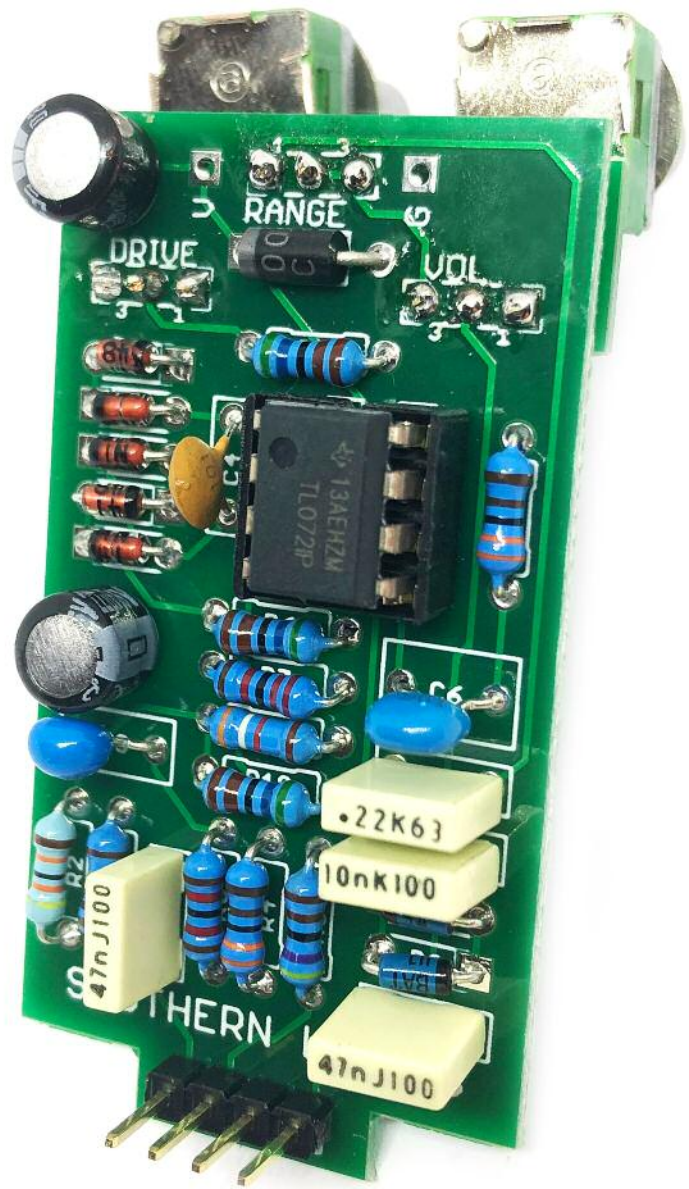


FUZZPUP



Southern Lights

One board,
two delightful drives.



IMPORTANT

Before you start...

Grab the general build doc that covers all FuzzPup V2 builds.
Most of the information you need for this build is in there.

Read it? OK, carry on.



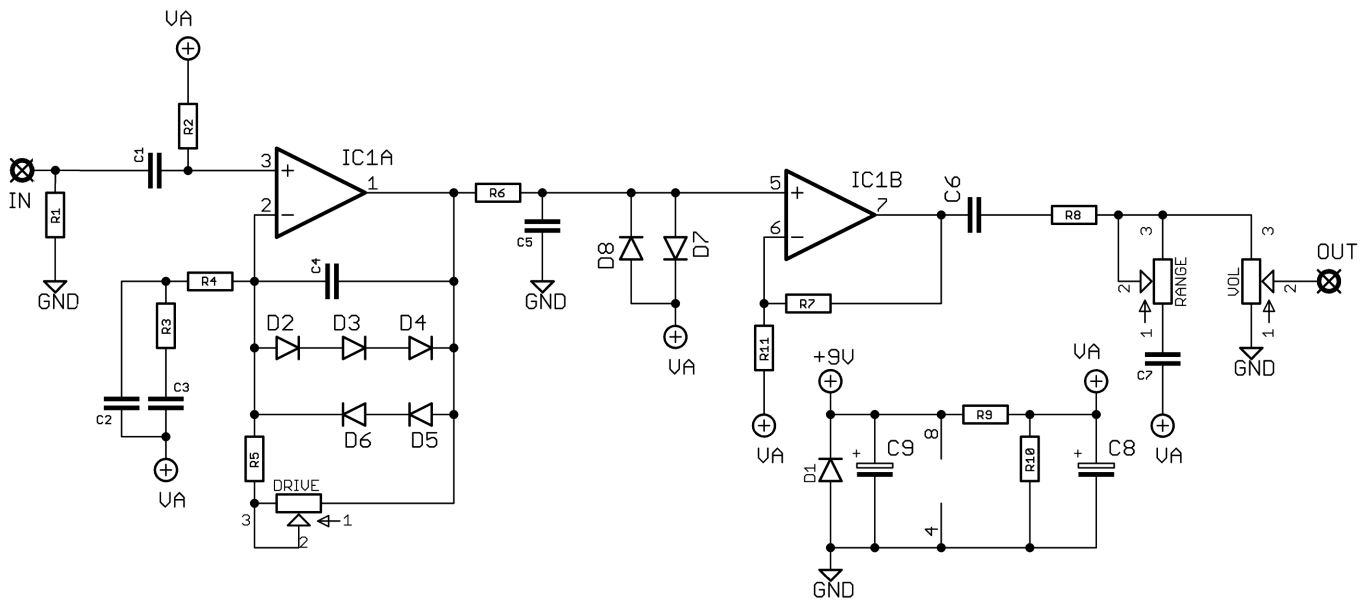
FuzzPups v2

Lovely little boxes of joy with a
standardised build pattern



Contents of this document are ©2022 Pedal Parts Ltd.
No reproduction permitted without the express written
permission of Pedal Parts Ltd. All rights reserved.

Schematic + BOM

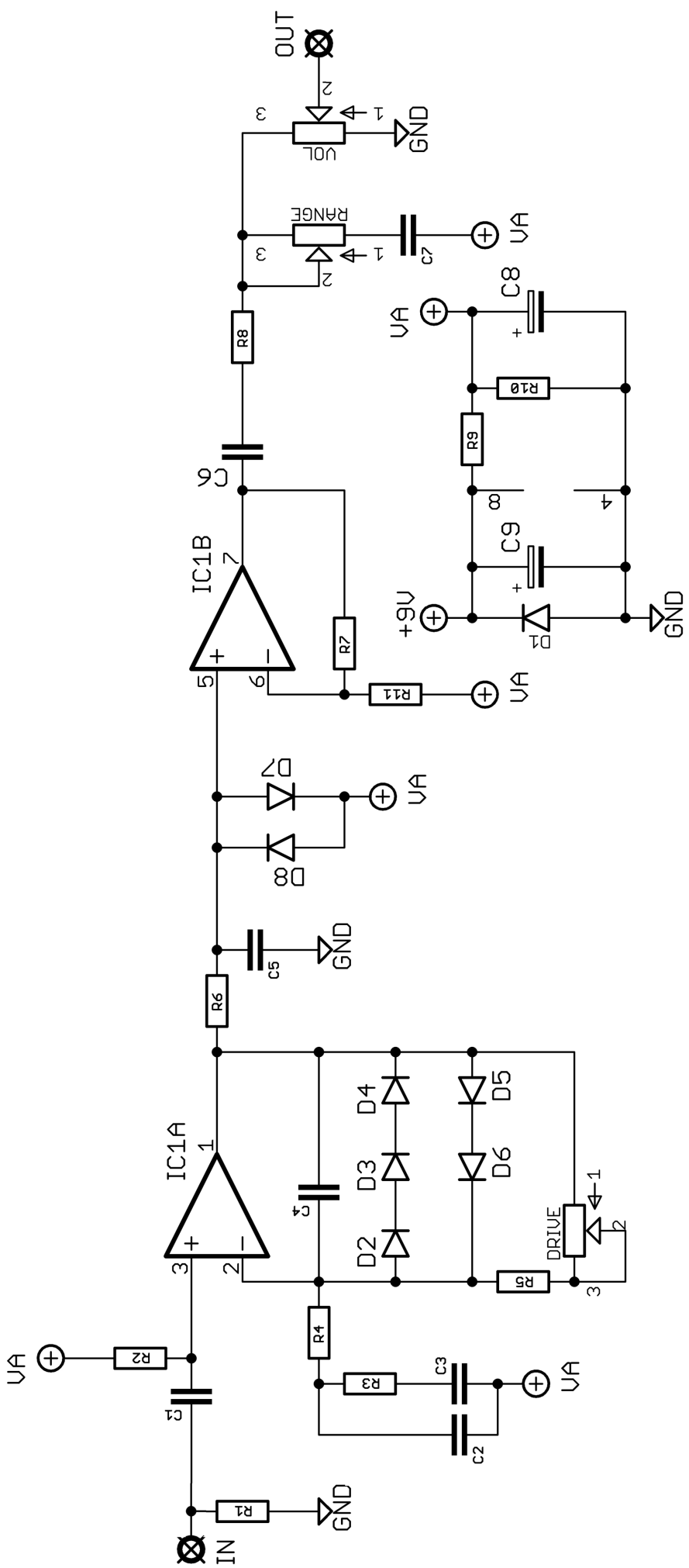


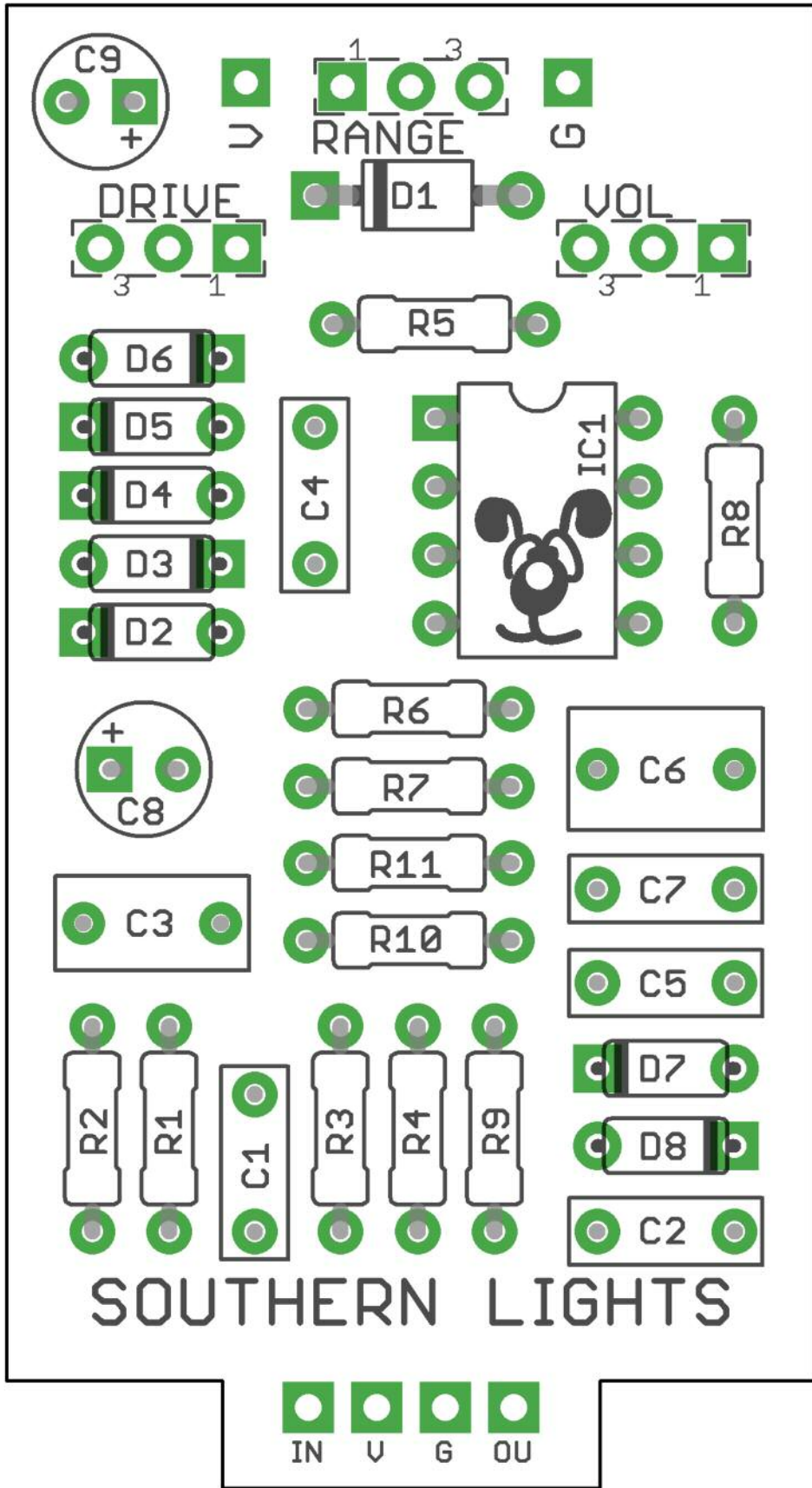
R1	1M	C1	47n	IC	OPA2134 (TL072)
R2	430K	C2	47n	D1	1N4001
R3	12K	C3	470n*	D2-6	1N4148
R4	3K3	C4	100p	D7-8	Empty (BAT41)
R5	5K6	C5	10n	GAIN	500KA (1MA)
R6	5K6	C6	1u*	RANGE	10KA
R7	4K7 (22K)	C7	220n	VOL	100KA (250KA)
R8	3K3	C8	22u elec**		
R9	4K7	C9	22u elec**		
R10	5K6				
R11	3K9				

These two circuits are very similar. Main values above are for the 186,282Mps Drive. Substitutions in blue give you the Southern.

*Film caps in these values tend to be quite big. Use MLCC (multi-layer ceramic) or just use a smaller value. There's really no need for these two caps to be bigger than 100nf.

**Originally 100uf, but good luck fitting those in. These are purely for power smoothing. 10-22uf are readily available in smaller heights and you'll notice no difference, honest.





Everything else you need is in the
general build doc you've already read.

Head back to that.



FuzzDog.co.uk