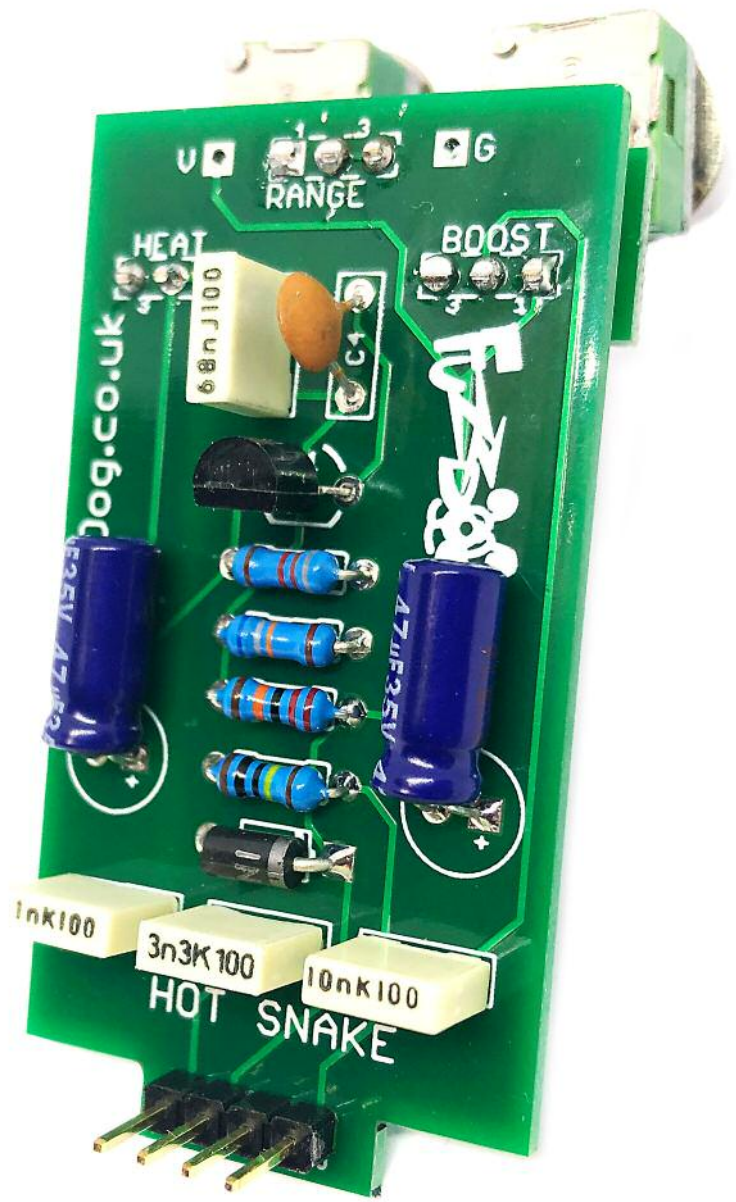


FUZZPUP



Hot Snake

Awesome little tweakable
treble booster



IMPORTANT

Before you start...

Grab the general build doc that covers all FuzzPup V2 builds.
Most of the information you need for this build is in there.

Read it? OK, carry on.



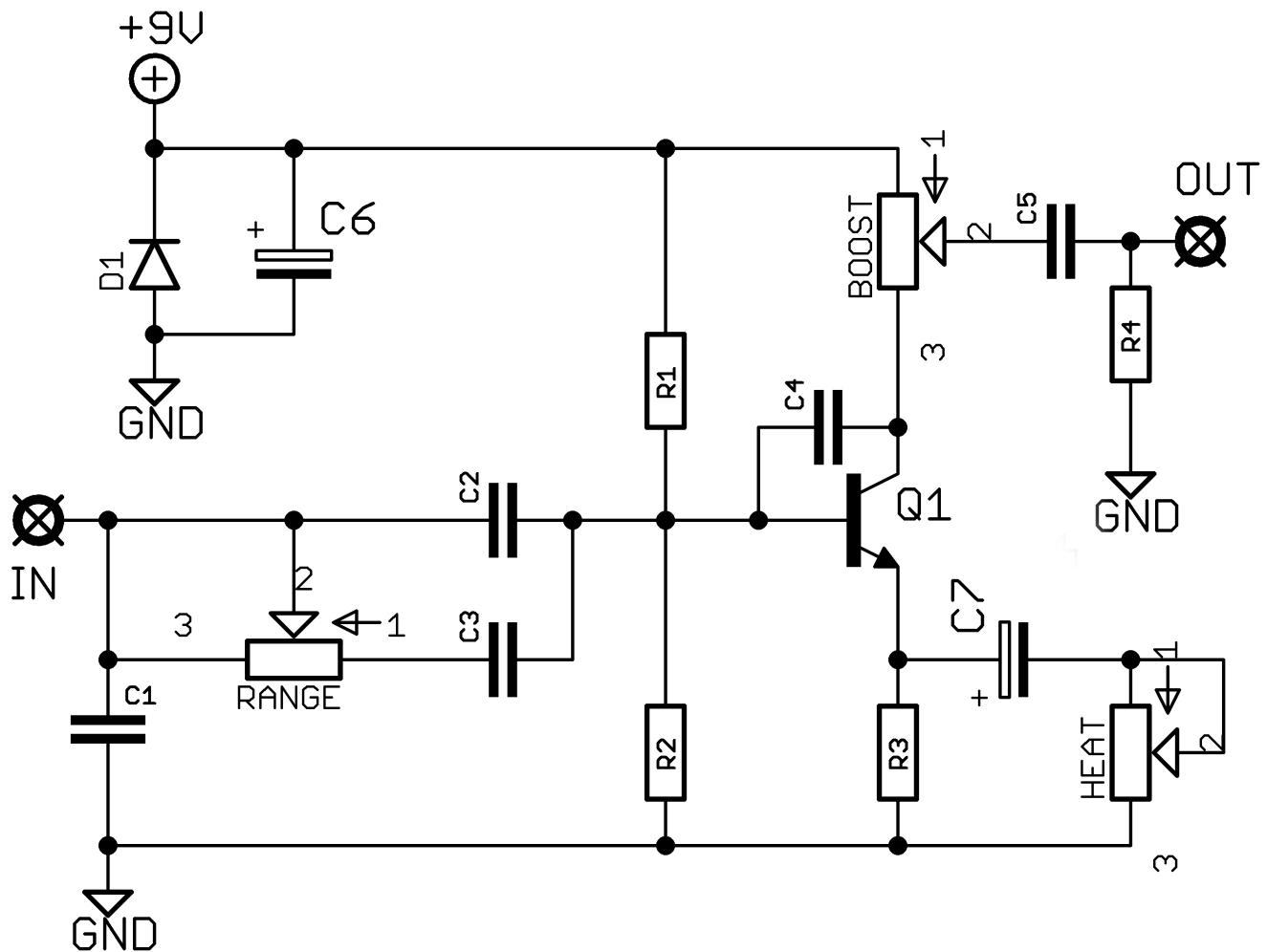
FuzzPups v2

Lovely little boxes of joy with a
standardised build pattern



Contents of this document are ©2022 Pedal Parts Ltd.
No reproduction permitted without the express written
permission of Pedal Parts Ltd. All rights reserved.

Schematic + BOM



R1	220K	C1	1n	D1	1N4001
R2	68K	C2	3n3	Q1	2N2222**
R3	8K2	C3	68n	BOOST	10KB
R4	1M*	C4	47p	HEAT	1KB
R5	2K2 (CLR)	C5	10n	RANGE	500KA
		C6	47u elec		
		C7	47u elec		

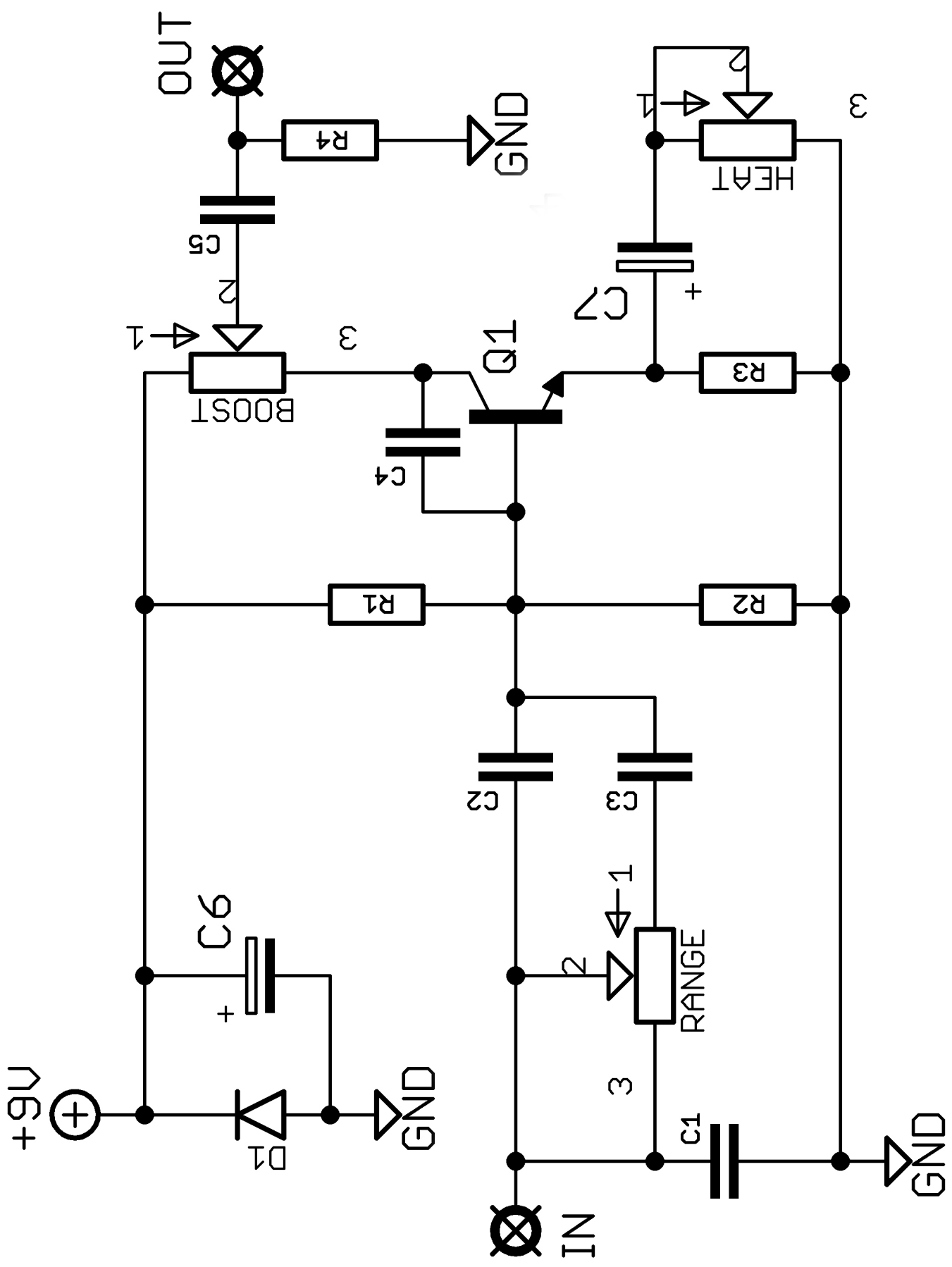
*R4 is an optional anti-pop resistor.

** Manufacturers can be very unhelpful sometimes. Different versions of 2N2222 may have different pinouts. Check your datasheet if sourcing your own parts.

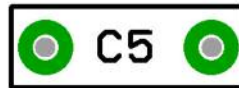
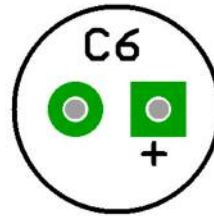
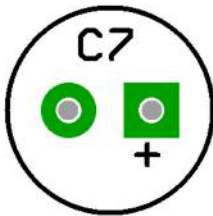
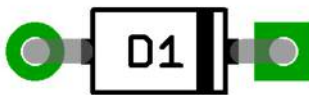
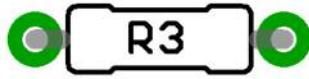
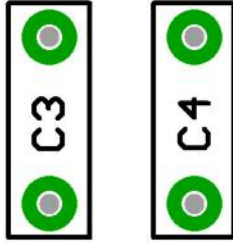
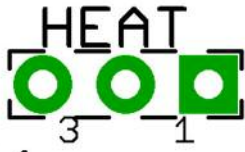
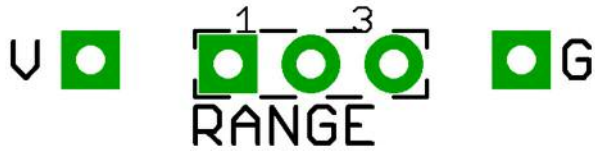
If you're building a FuzzDog kit, your transistors will be one of the following:

PN2222 - these should be mounted as per the component silkscreen on the PCB.

P2N2222 - these have the opposite pinout, and should be reversed.



FuzzDog.co.uk



HOT SNAKE



Everything else you need is in the
general build doc you've already read.

Head back to that.



FuzzDog.co.uk