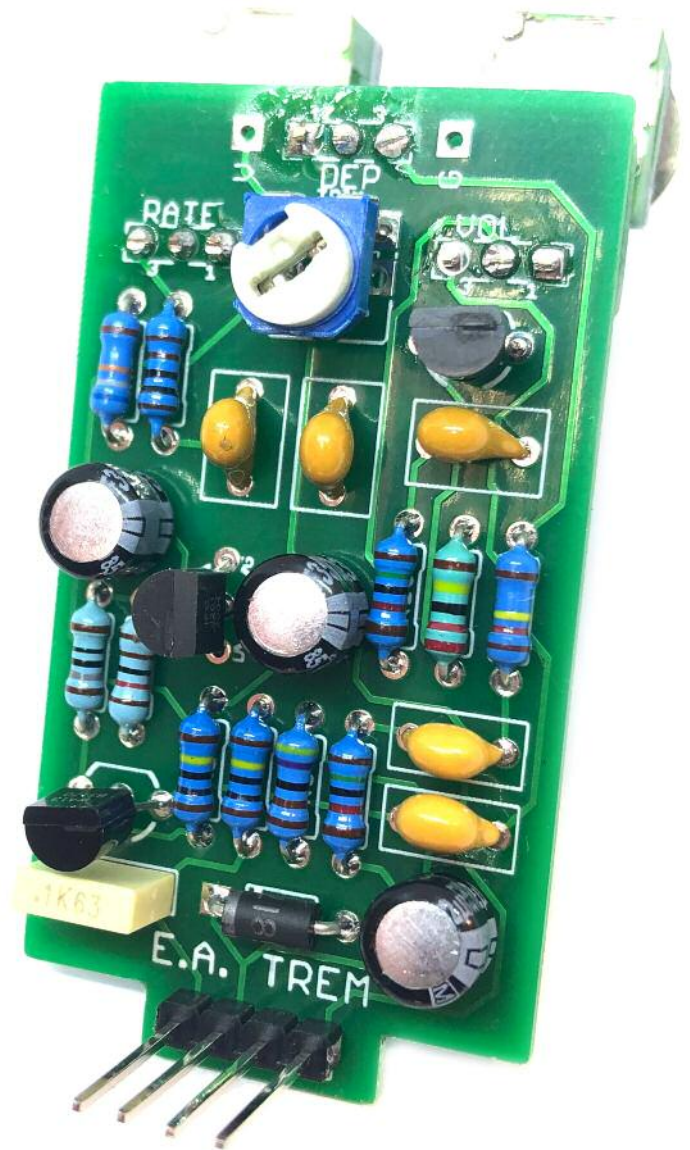


FUZZPUP



E.A. Trem

Nice wobble from
Electronic Arts



IMPORTANT

Before you start...

Grab the general build doc that covers all FuzzPup V2 builds.
Most of the information you need for this build is in there.

Read it? OK, carry on.



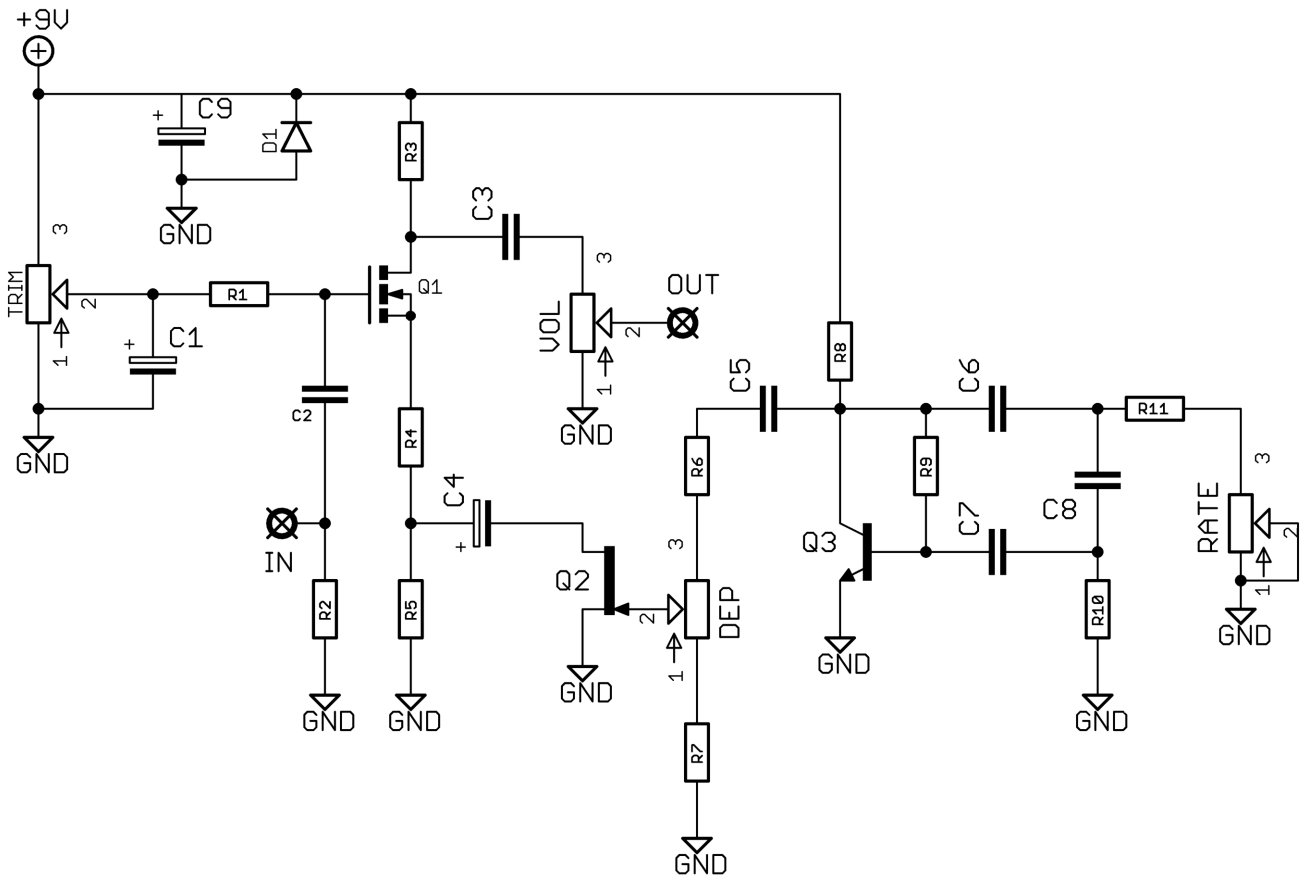
FuzzPups v2

Lovely little boxes of joy with a
standardised build pattern



Contents of this document are ©2022 Pedal Parts Ltd.
No reproduction permitted without the express written
permission of Pedal Parts Ltd. All rights reserved.

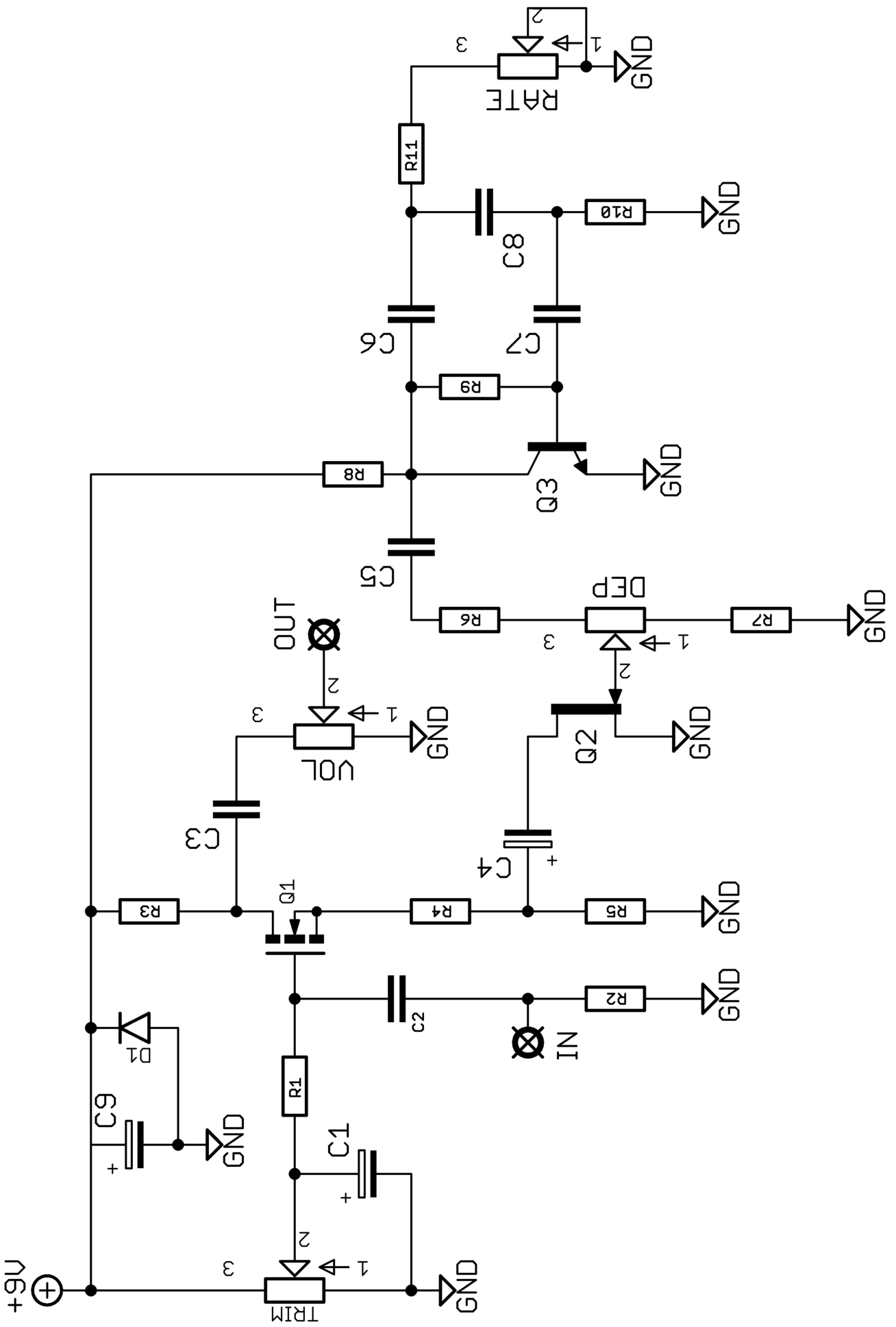
Schematic + BOM

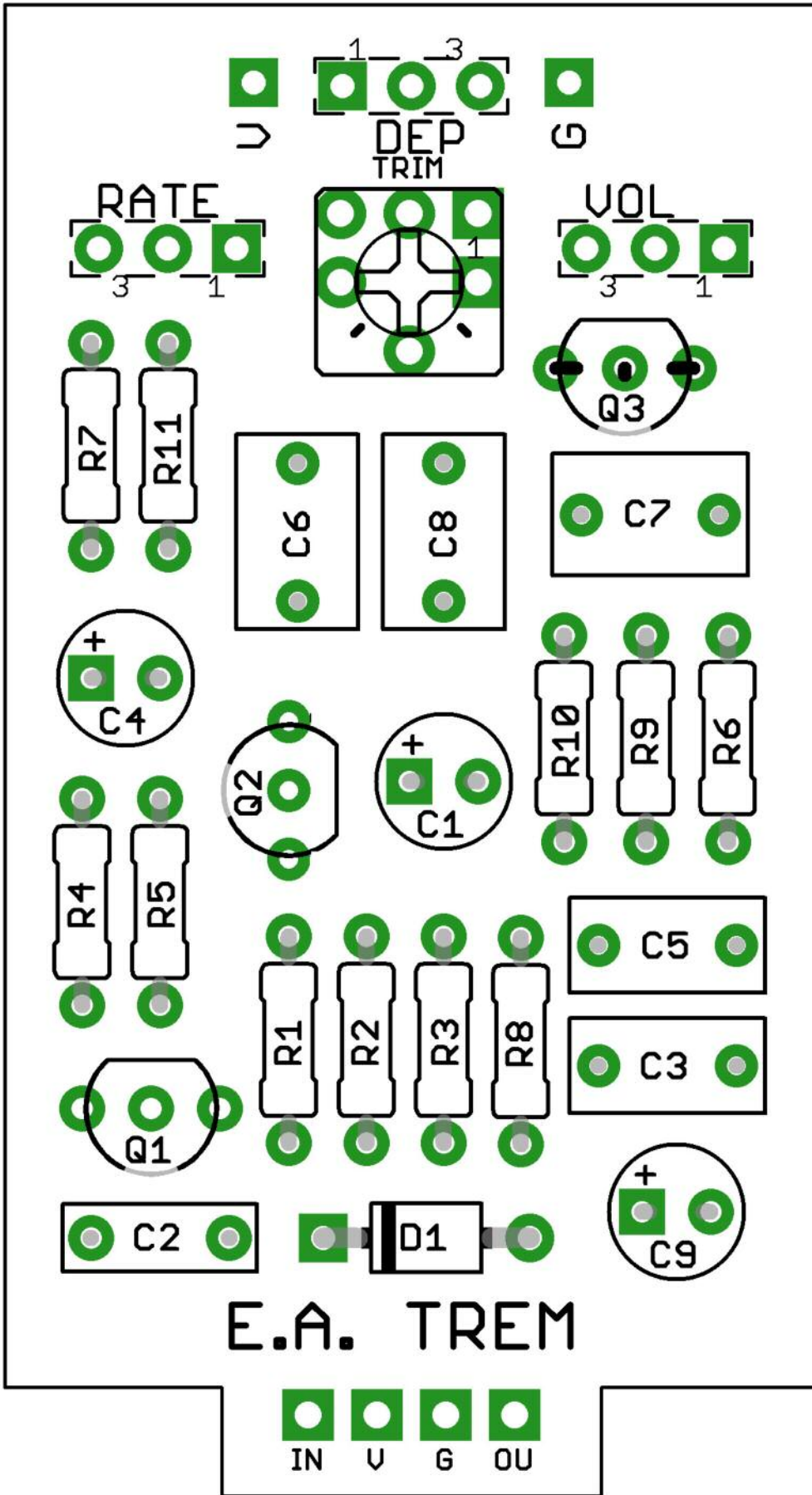


R1	1M	C1	22u elec*	Q1	BS170
R2	1M	C2	100n	Q2	J201
R3	4K7	C3	470n**	Q3	2N5088
R4	180R	C4	22u elec	D1	1N4001
R5	1K2	C5	470n	RATE	100KB
R6	120K	C6	1u**	DEP	250KB
R7	68K	C7	1u**	VOL	100KA
R8	15K	C8	1u**	TRIM	100K
R9	2M2	C9	22u elec*		
R10	15K				
R11	1K				

**These are power smoothing caps. Use the biggest value you can find that will physically fit height-wise, i.e. 7mm or under. Smaller values 10-22uf are readily available in smaller heights

**470n/1uf film caps tend to be quite big. Use MLCC (multi-layer ceramic).





Everything else you need is in the
general build doc you've already read.

Head back to that.



FuzzDog.co.uk