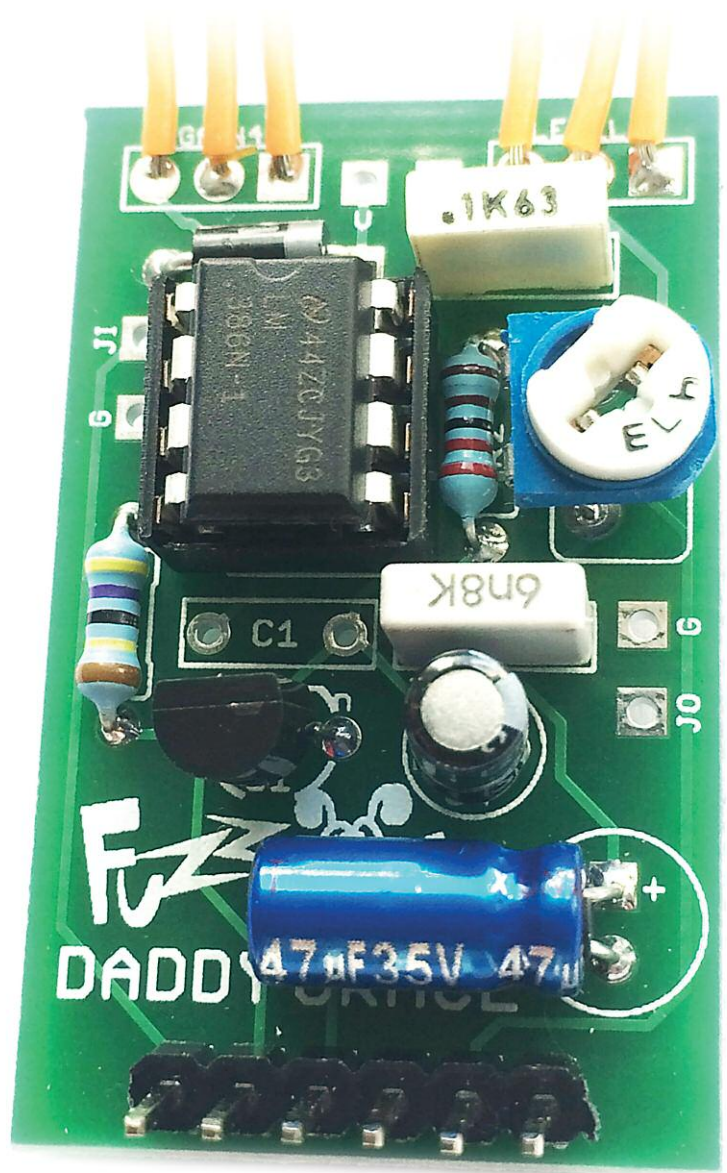
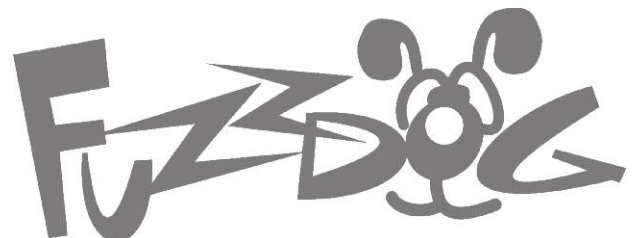


FUZZPUP



## Grace/Big Daddy

Great little Overdrive/Distortion circuits from RunOffGroove



# IMPORTANT

## Before you start...

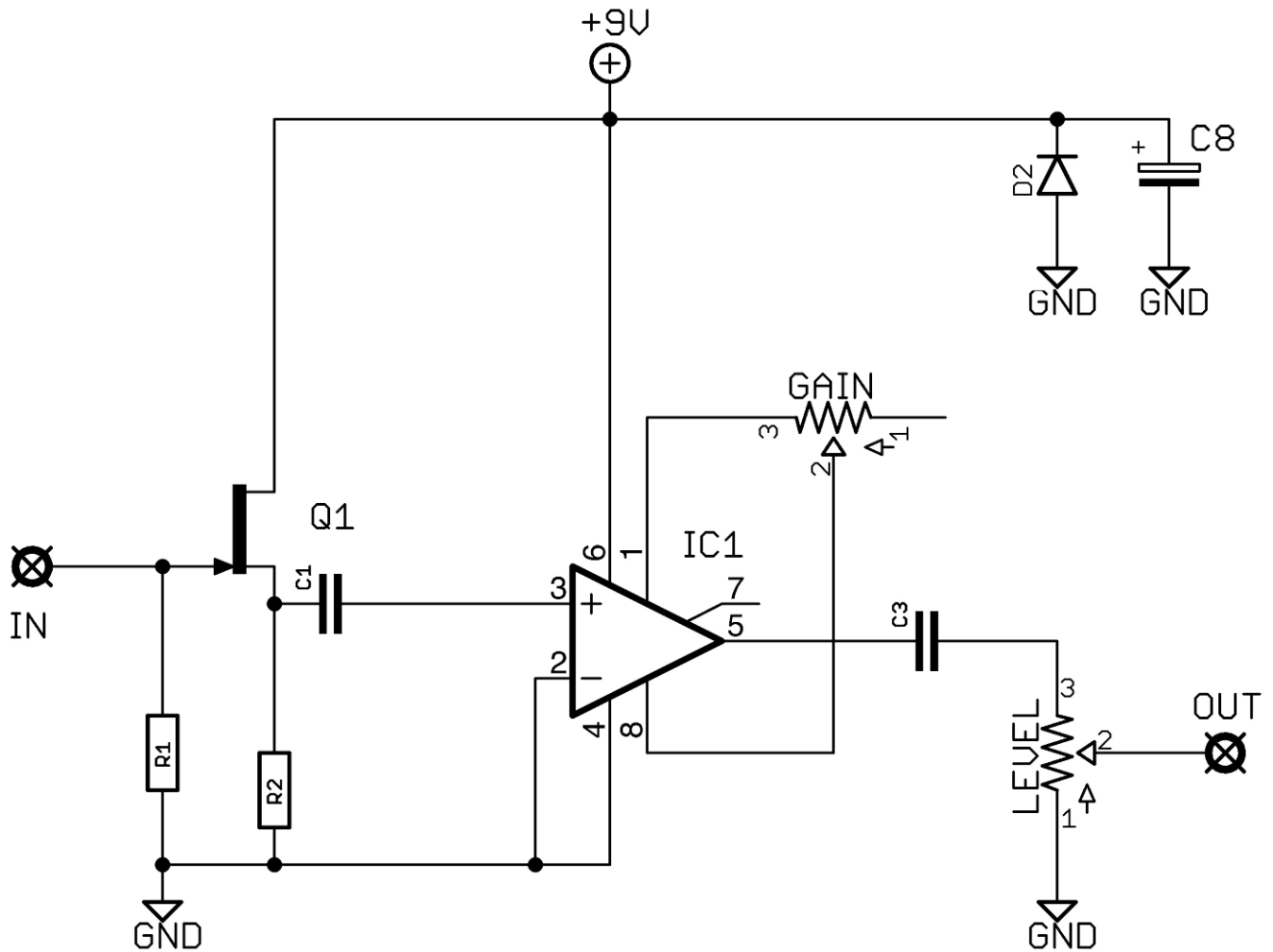
Grab the general build doc that covers all FuzzPup builds. Most of the information you need for this build is in there.

Read it? OK, carry on.



# GRACE

## Schematic + BOM



R1	4M7	IC1	LM386
R2	15K	Q1	J201*
R3	CLR (2K2)	D2	1N4001
C1	6n8	VOL	100KA
C2	Empty	GAIN	1KB
C3	100n	T1	Jumper**
C4	Empty		
C8	47u elec		

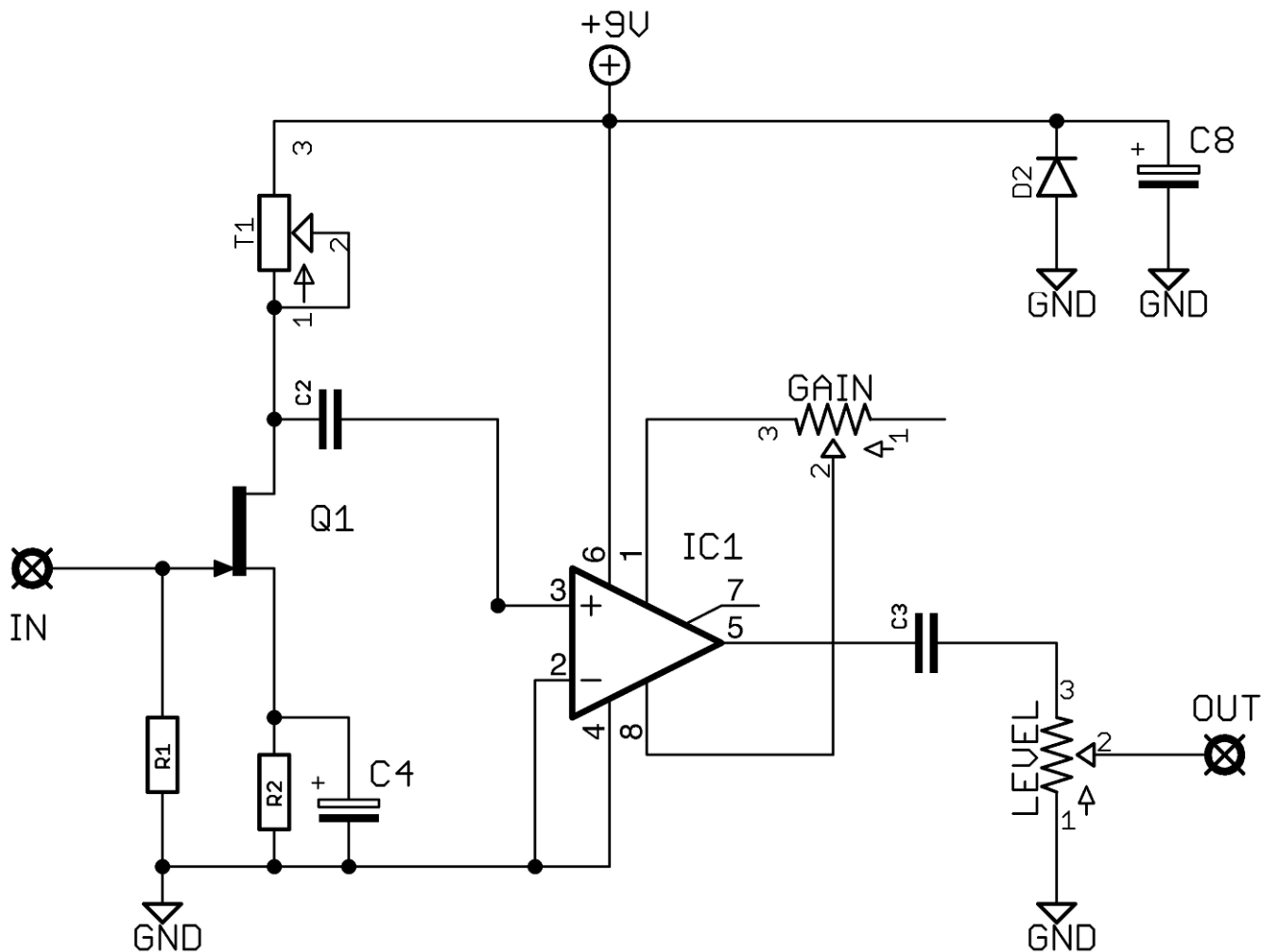
\*Other N Channel JFETs can be used, such as 2N5457.

\*\*See image on page 5 for jumper placement.

C8 should lay flat on the board as shown in the cover image.

# BIG DADDY

## Schematic + BOM



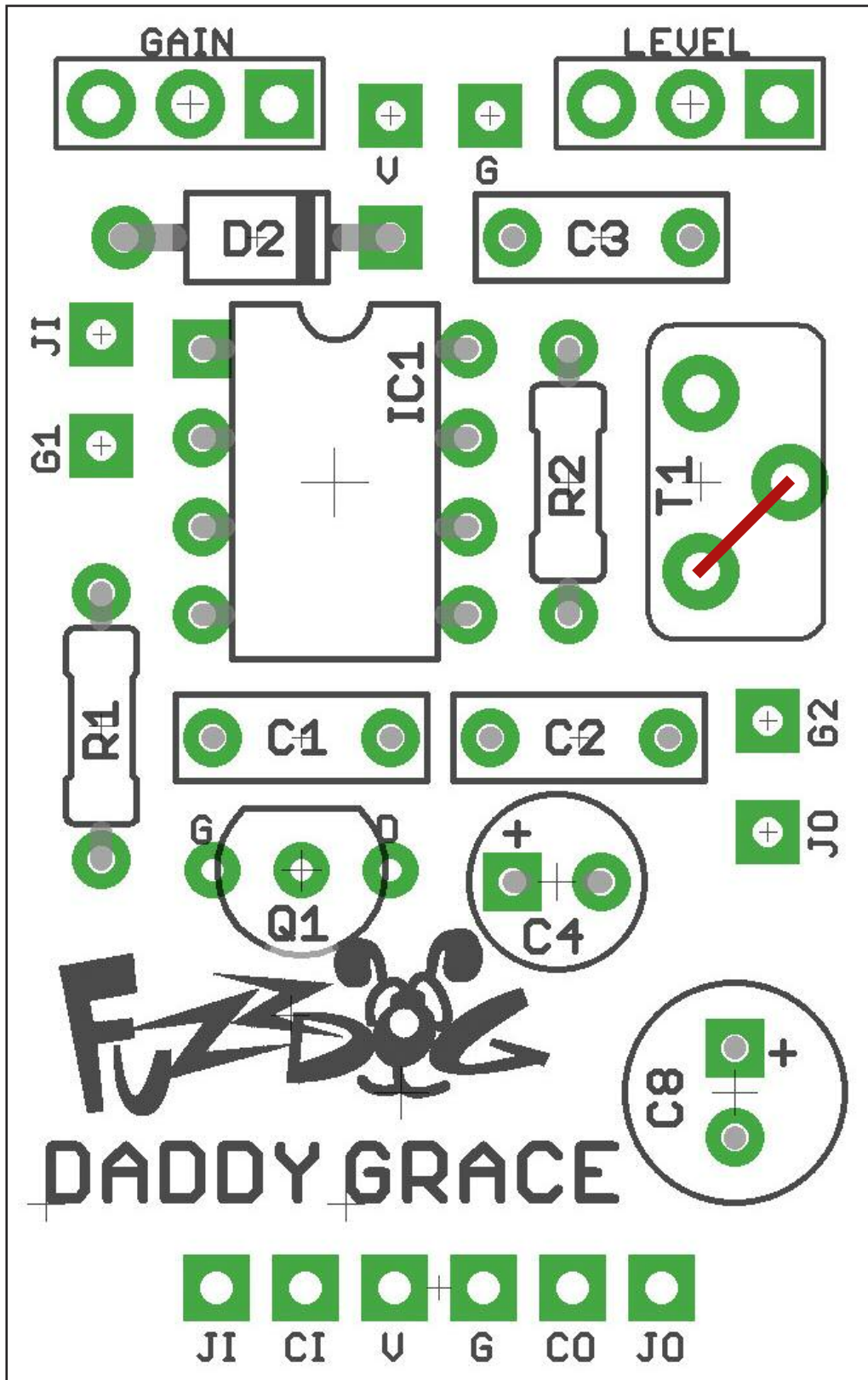
R1	4M7	IC1	LM386
R2	2K2	Q1	J201*
R3	CLR (2K2)	D2	1N4001
C1	Empty	VOL	100KA
C2	6n8	GAIN	1KB
C3	100n	T1	47K TRIM**
C4	2u2 elec		
C8	47u elec		

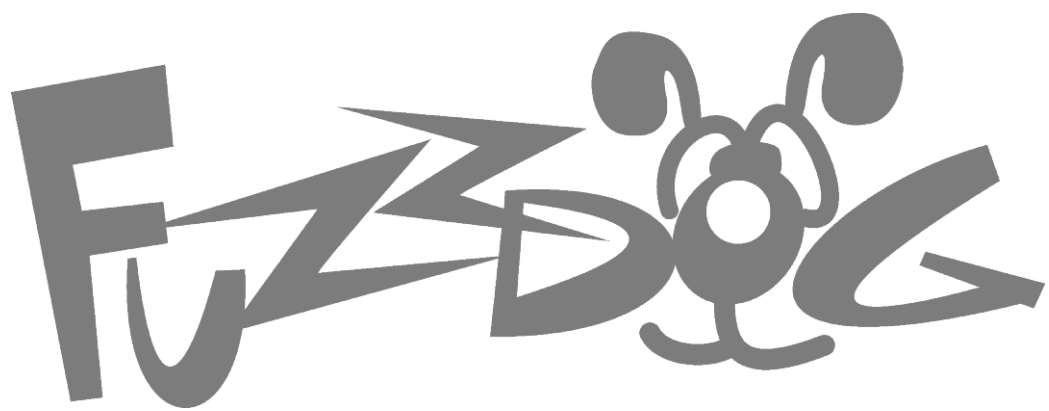
\*Other N Channel JFETs can be used, such as 2N5457.

\*\*Original uses a fixed 15K resistor here, but a trimmer gives you some adjustment. There's no magic number, simply adjust this until you get the tone you want.

C8 should lay flat on the board as shown in the cover image.

Place a jumper on T1 as shown if building the GRACE.





**[FuzzDog.co.uk](http://FuzzDog.co.uk)**