

# FUZZPUP



## Chilly Biscuit

Dynamic, pick-responsive  
distortion loveliness



# IMPORTANT

## Before you start...

Grab the general build doc that covers all FuzzPup V2 builds.  
Most of the information you need for this build is in there.

Read it? OK, carry on.



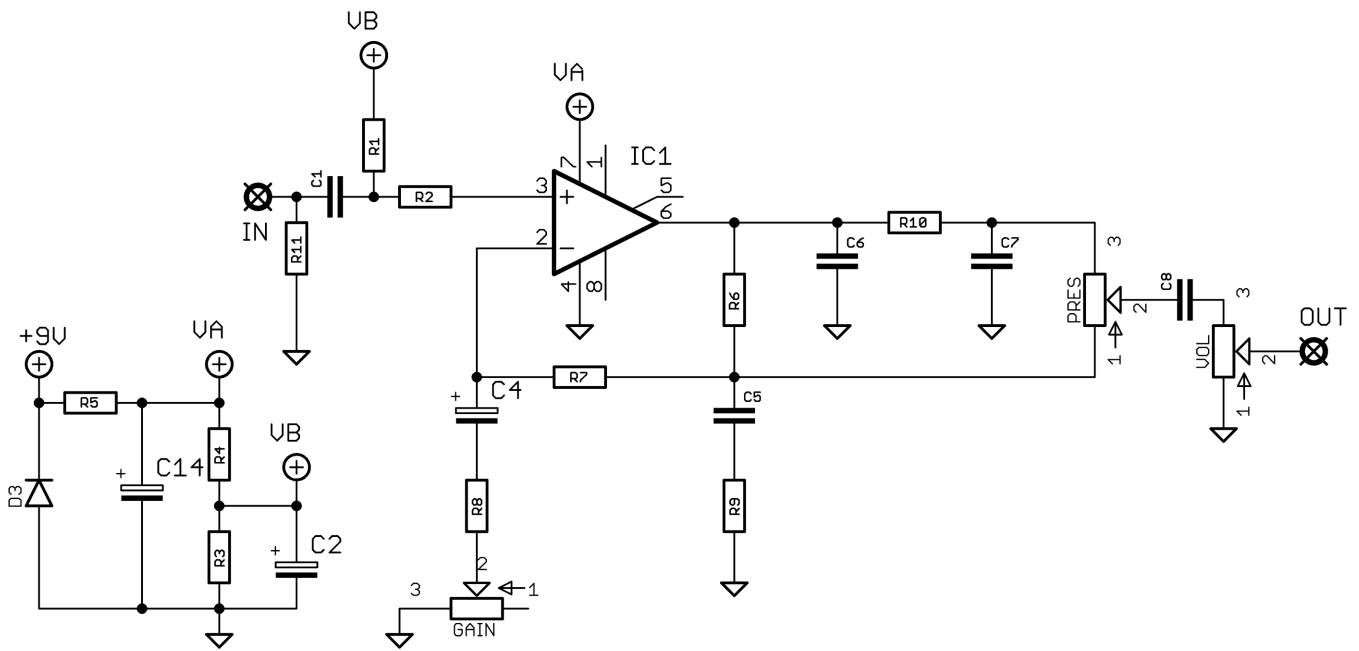
## FuzzPups v2

Lovely little boxes of joy with a  
standardised build pattern



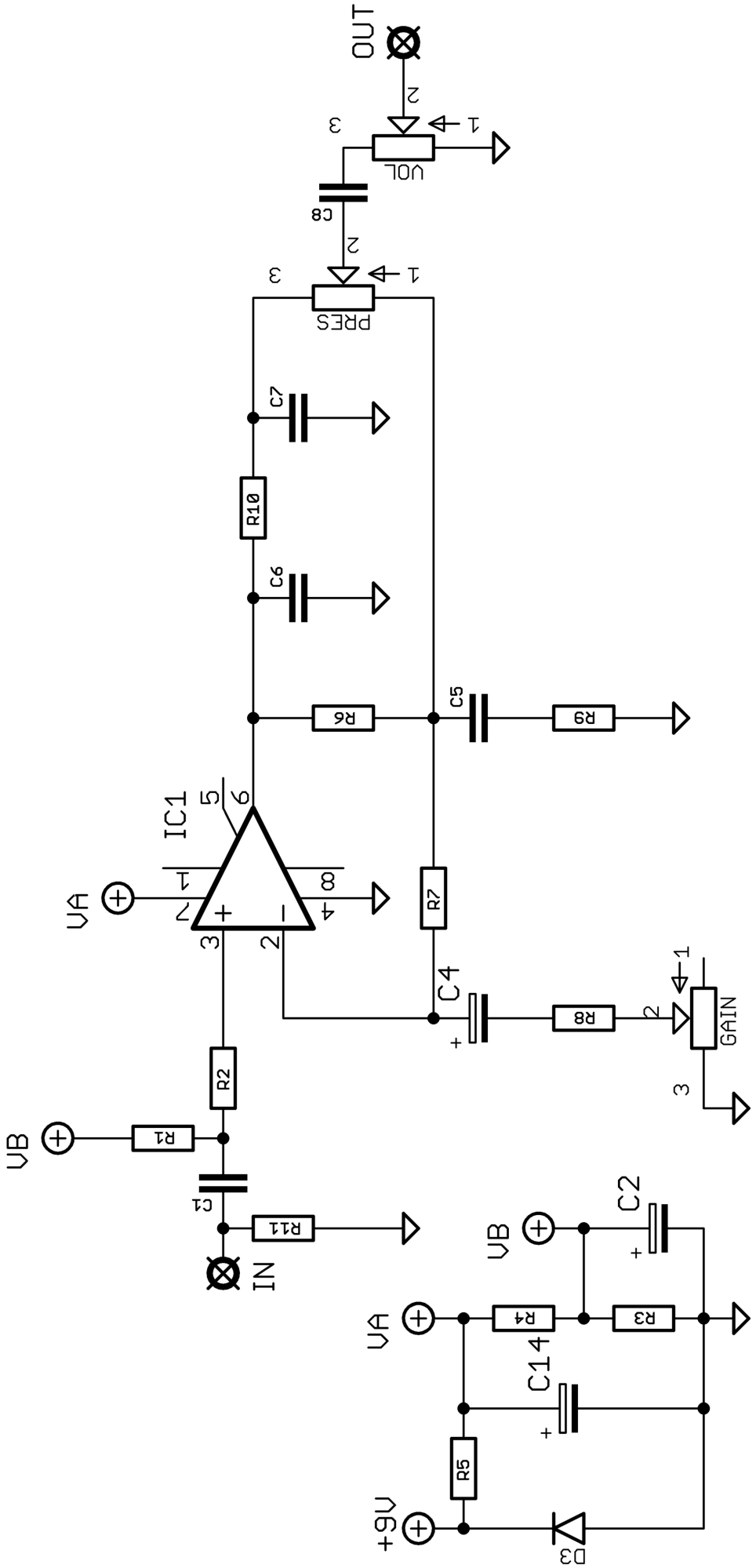
Contents of this document are ©2022 Pedal Parts Ltd.  
No reproduction permitted without the express written  
permission of Pedal Parts Ltd. All rights reserved.

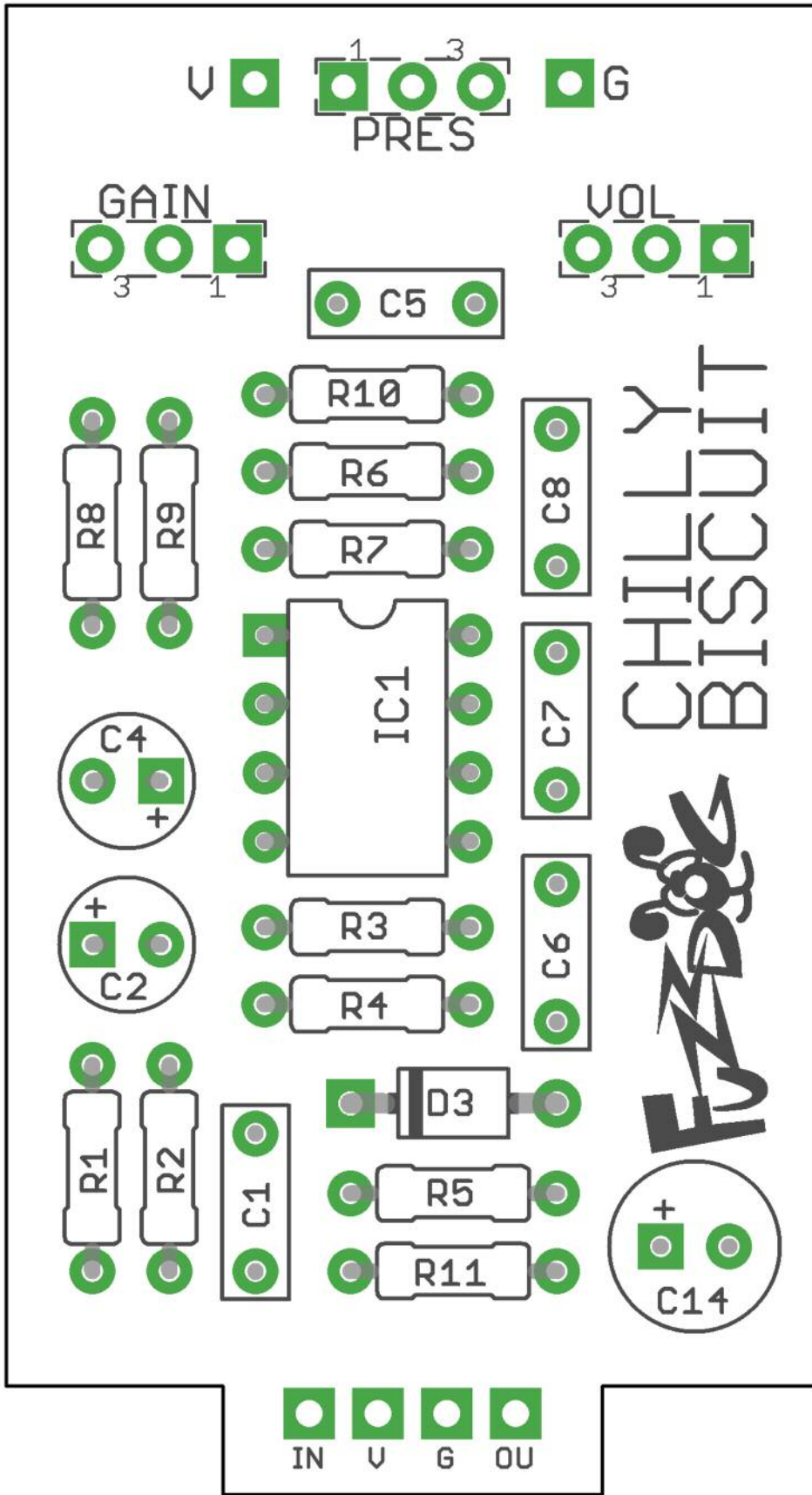
# Schematic + BOM



R1	1M	C1	10n	D3	8.2V zener
R2	10K	C2	10u elec	IC1	LM741 / TL071*
R3	100K	C3	100u elec	GAIN	50KC
R4	82K	C4	10u elec	PRES	50KB
R5	220R	C5	82n	VOL	50KA
R6	10K	C6	470p		
R7	100K	C7	10n		
R8	220R	C8	47n		
R9	1K				
R10	10K				
R11	1M				

\*Both ICs have been used at various times in the pedal's history. Try them both, pick your favourite.

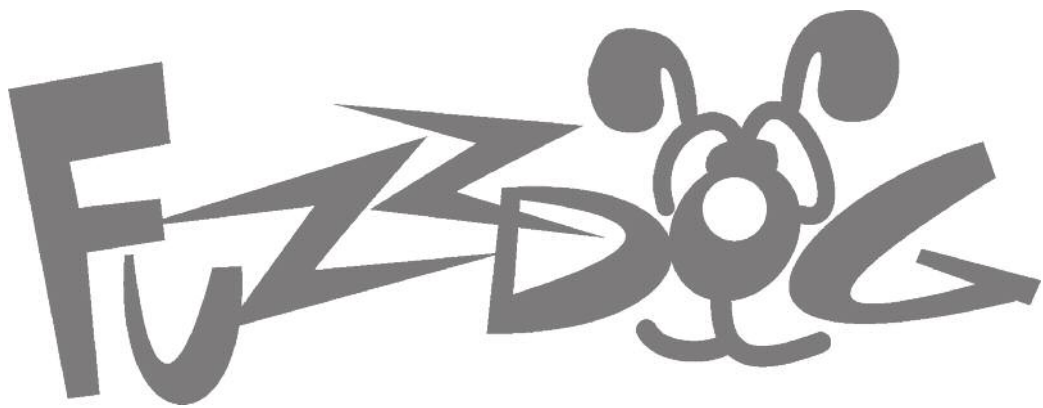




**FuzzDog**  
CHILLY BISCUIT

Everything else you need is in the  
general build doc you've already read.

Head back to that.



**[FuzzDog.co.uk](http://FuzzDog.co.uk)**