

FUZZPUP



Bimble Buzz

Knob-free ripsaw fuzz



IMPORTANT

Before you start...

Grab the general build doc that covers all FuzzPup V2 builds.
Most of the information you need for this build is in there.

Read it? OK, carry on.



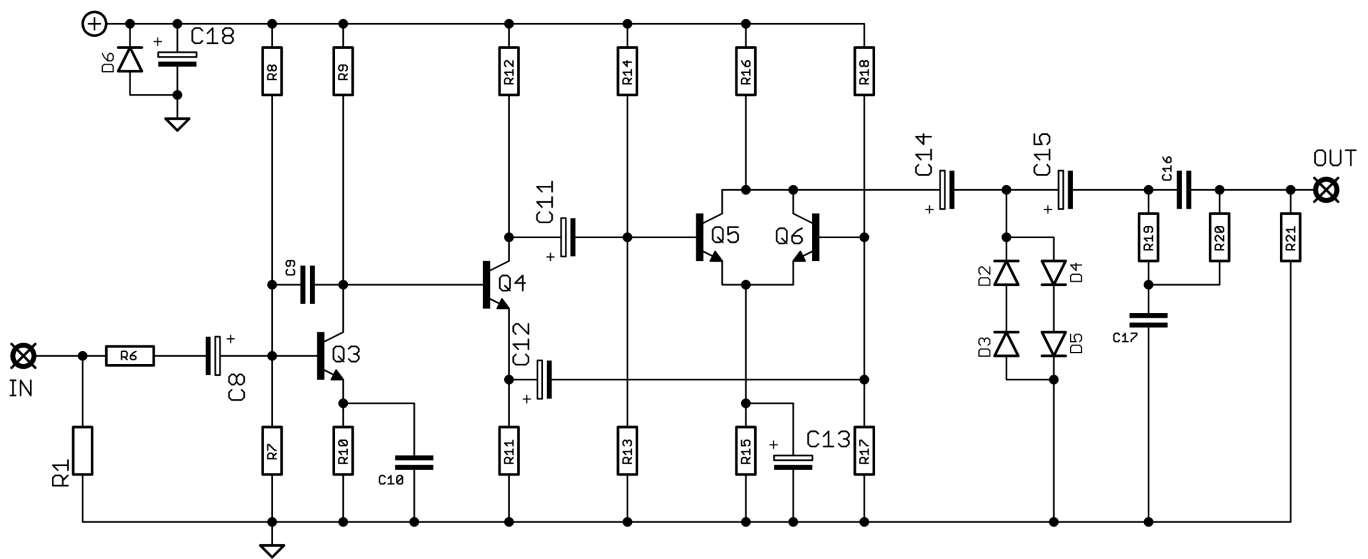
FuzzPups v2

Lovely little boxes of joy with a
standardised build pattern



Contents of this document are ©2022 Pedal Parts Ltd.
No reproduction permitted without the express written
permission of Pedal Parts Ltd. All rights reserved.

Schematic + BOM



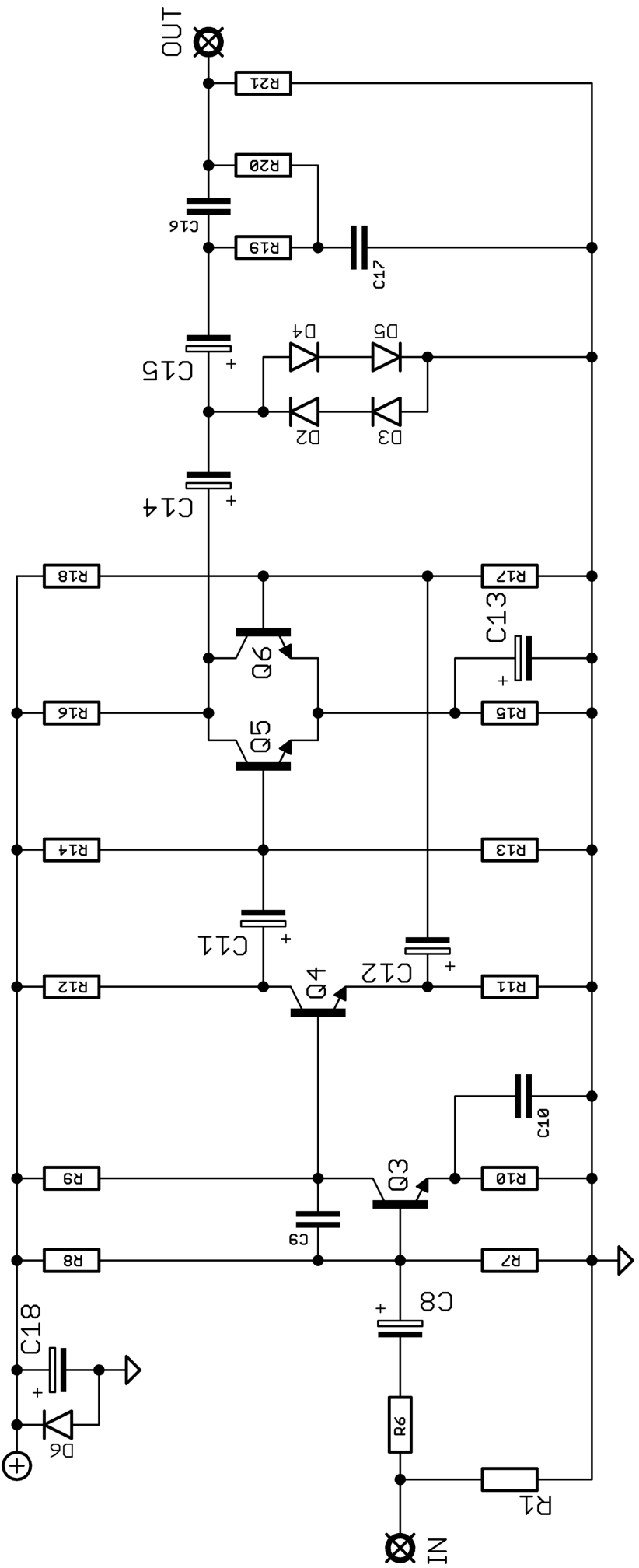
R1	1M	C8	10u elec	D2-5	1N4007**
R6	22K	C9	2n2	D6	1N4001
R7	10K	C10	100n		
R8	100K	C11	1u elec	Q3-6	2N2222***
R9	47K	C12	1u elec		
R10	1K8	C13	10u elec		
R11	10K	C14	10u elec		
R12	10K	C15	2u2 elec		
R13	10K	C16	1n		
R14	100K	C17	22n		
R15	1K8	C18	22u elec*		
R16	10K				
R17	10K				
R18	100K				
R19	100K				
R20	43K				
R21	330K				

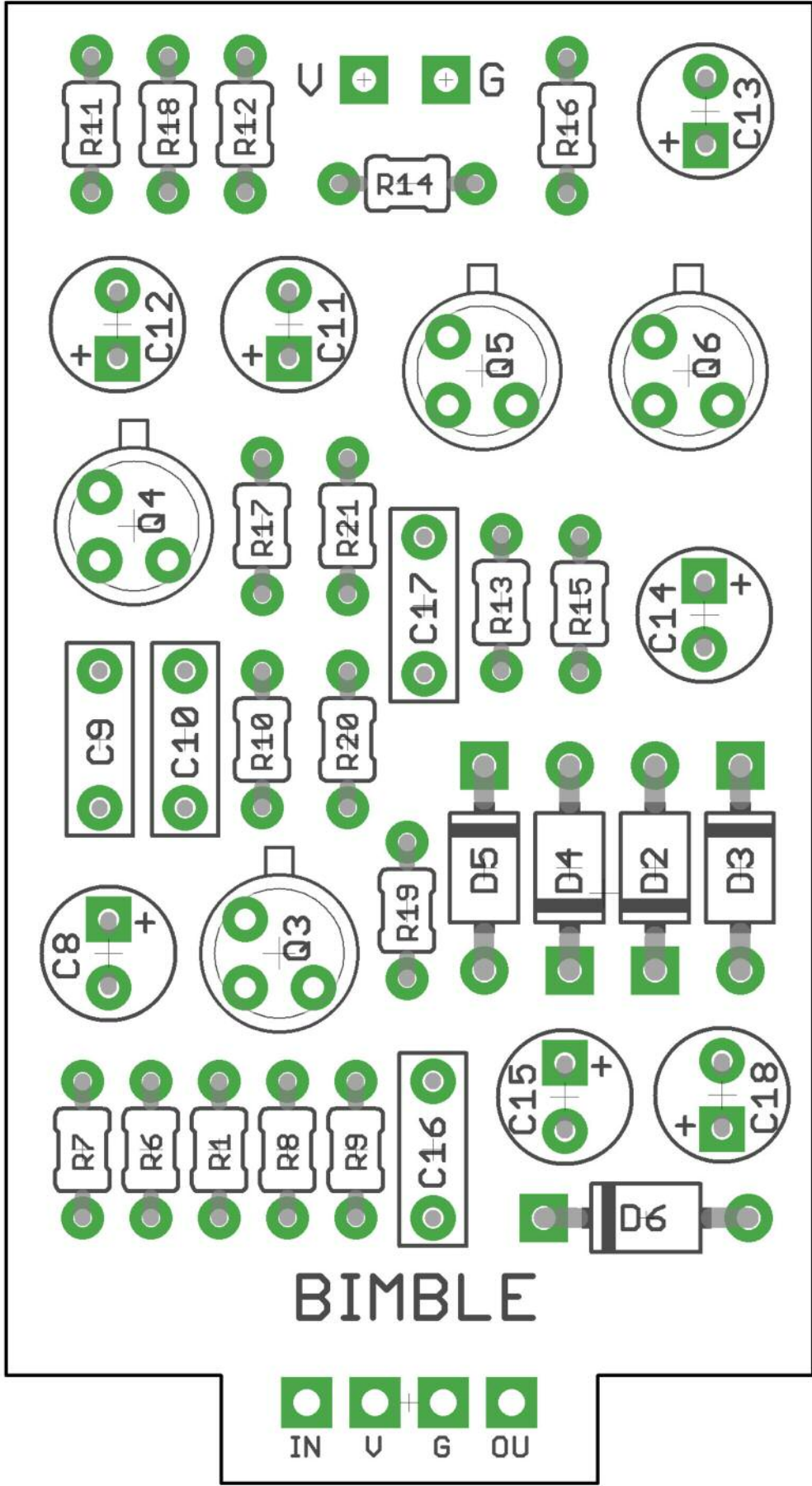
*Or as large a value as you can get in a case with a height suitable for the build, i.e. 6mm or less.

**These are used in the original, but there'd be no difference in tone if you use 1N4001.

***Other medium gain BJTs can be used, such as BC108.

The board has been designed for 3mm 0.125W (1/8W) resistors.





Everything else you need is in the
general build doc you've already read.

Head back to that.



FuzzDog.co.uk