

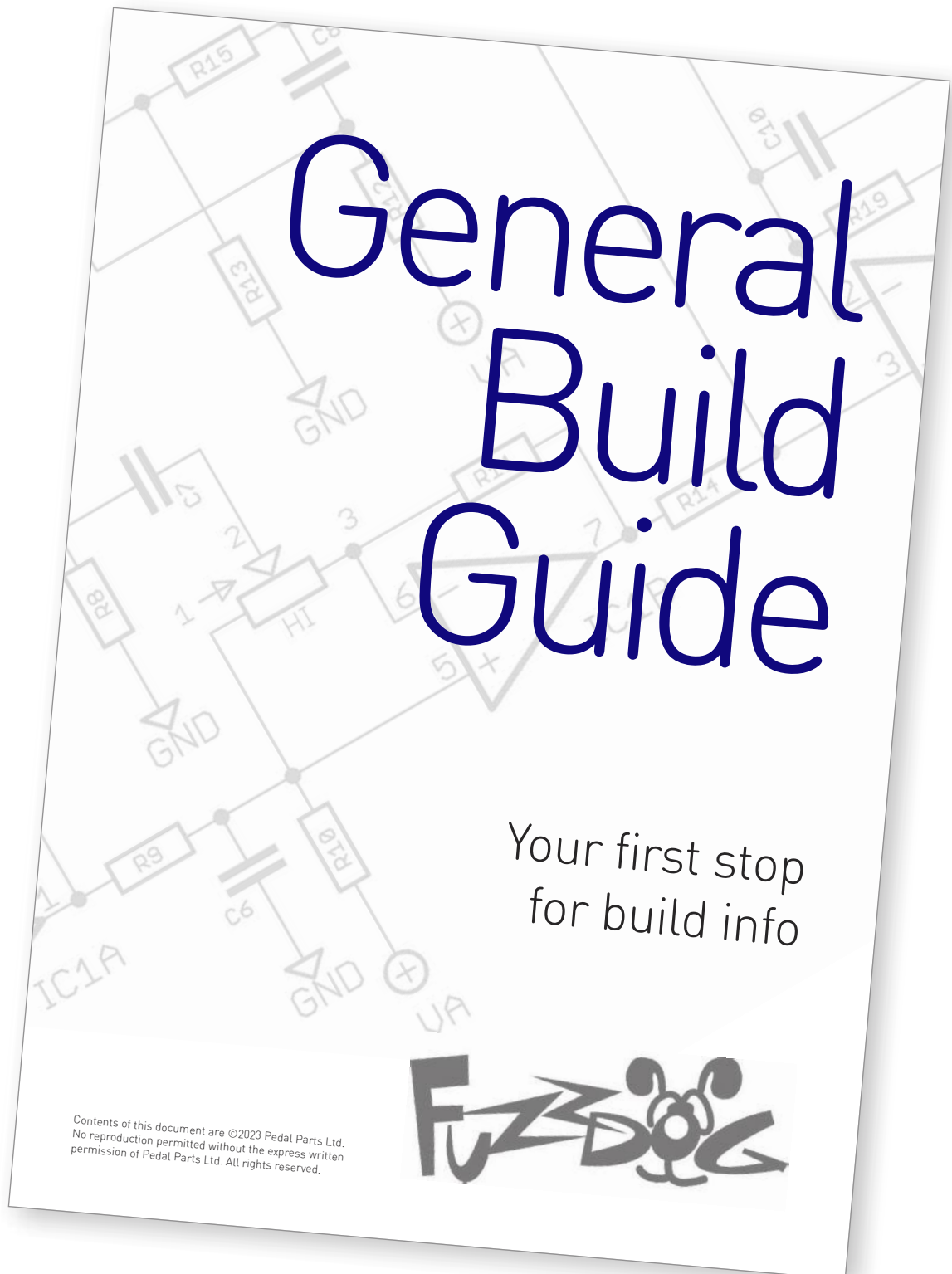
Fuzz Master General

Discontinued boutique take
on a Super Fuzz

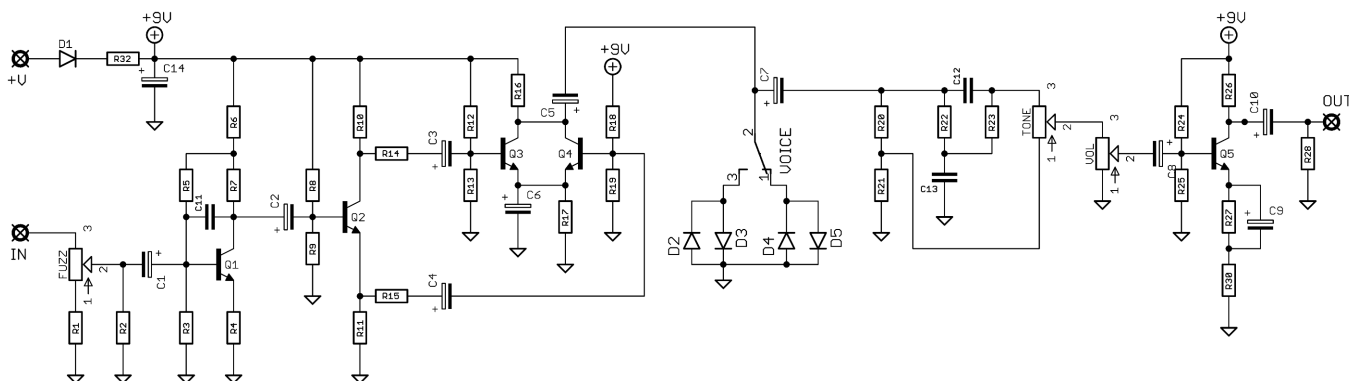


Before you dig in, ensure you download and read the **General Build Guide**.

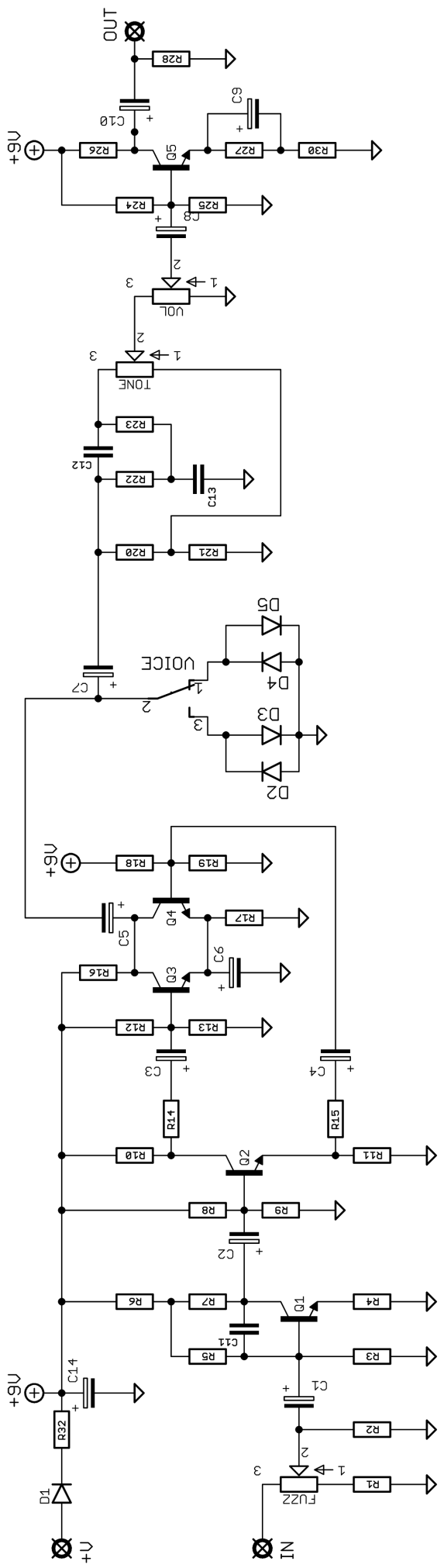
It contains all the information you need for a successful outcome.

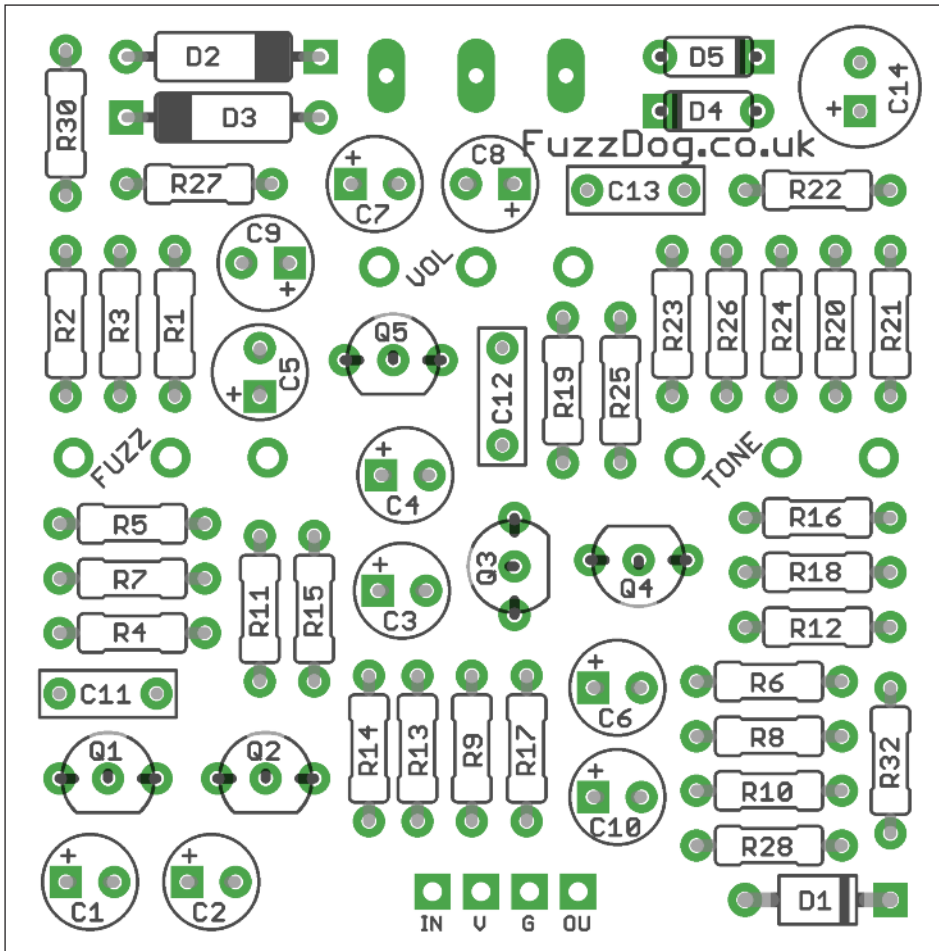


Schematic + BOM



R1	10K	R24	100K	Q1-5	2N5089
R2	1M	R25	15K	D1	1N5817
R3	15K	R26	10K	D2-3	Ge/BAT46
R4	1K8	R27	1K8	D4-5	1N4148
R5	100K	R28	100K		
R6	22K	R30	100R	FUZZ	100KB
R7	10K	R32	100R	TONE	100KB
R8	220K			VOL	100KA
R9	100K	C1	1u elec		
R10	10K	C2	1u elec	VOICE	SPDT ON-OFF-ON
R11	10K	C3	1u elec		
R12	100K	C4	1u elec		
R13	15K	C5	1u elec		
R14	1K	C6	10u elec		
R15	1K	C7	1u elec		
R16	10K	C8	1u elec		
R17	1K8	C9	4u7 elec		
R18	100K	C10	1u elec		
R19	15K	C11	100p		
R20	47K	C12	1n		
R21	100K	C13	100n		
R22	22K	C14	100u elec		
R23	10K				

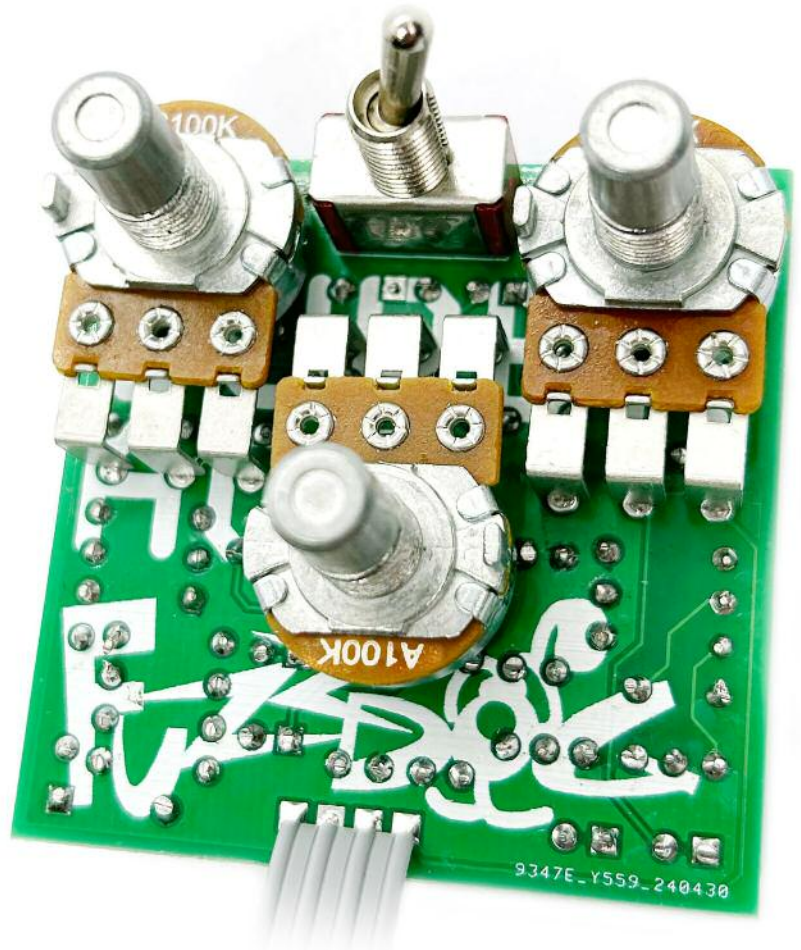




Snap the small metal tag off the pots so they can be mounted flush in the box.

You should solder all other board-mounted components before you solder the pots.

Once they're in place you'll have no access to much of the board.



Drilling template

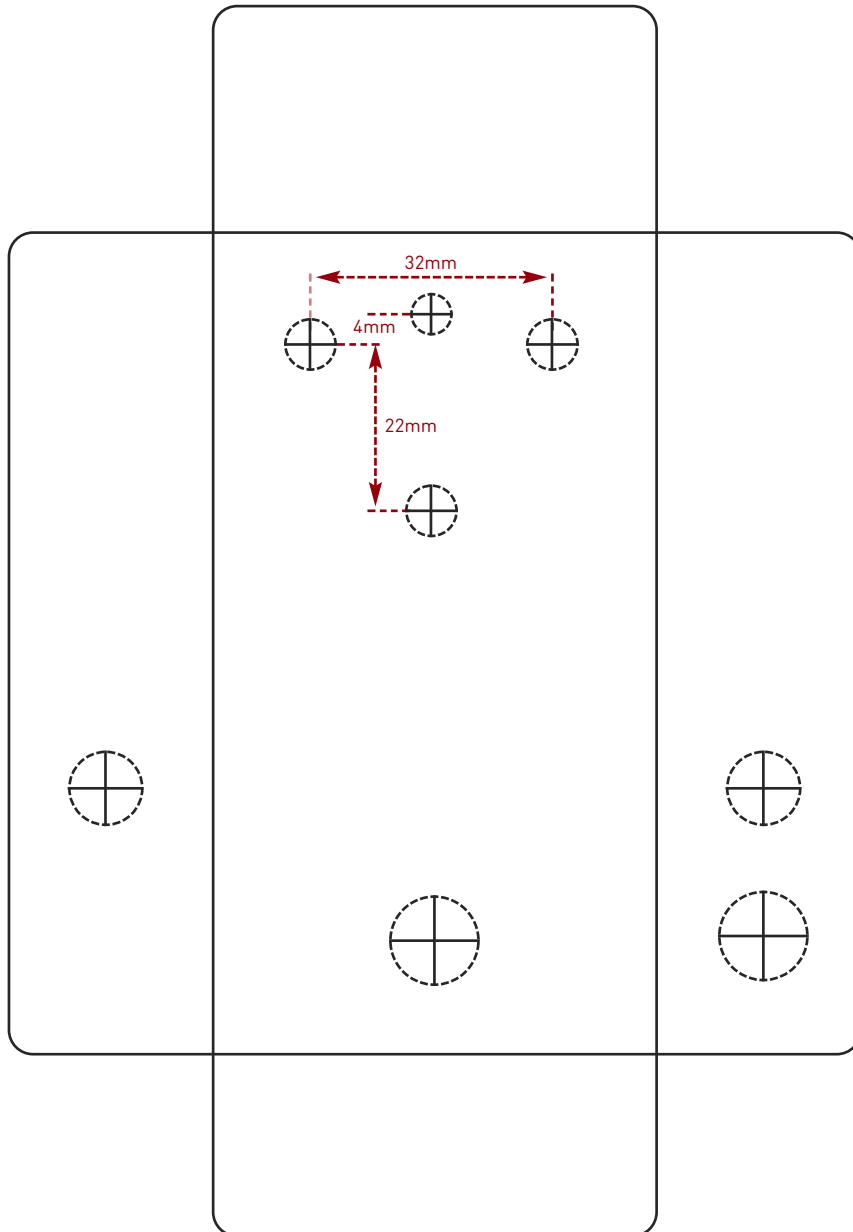
Hammond 1590B - 60 x 111 x 31mm

Drill sizes listed are minimum.

It's a good idea to add 1mm to anything mounted on the PCB that'll poke through the front of the enclosure.

Drill sizes:

Pots	7mm
Jacks	10mm
Footswitch	12mm
DC Socket	12mm
Toggle switches	6mm
Rotary switches	10mm



This template is a rough guide only. You should ensure correct marking of your enclosure before drilling. You use this template at your own risk.

Pedal Parts Ltd can accept no responsibility for incorrect drilling of enclosures.

FuzzDog.co.uk