

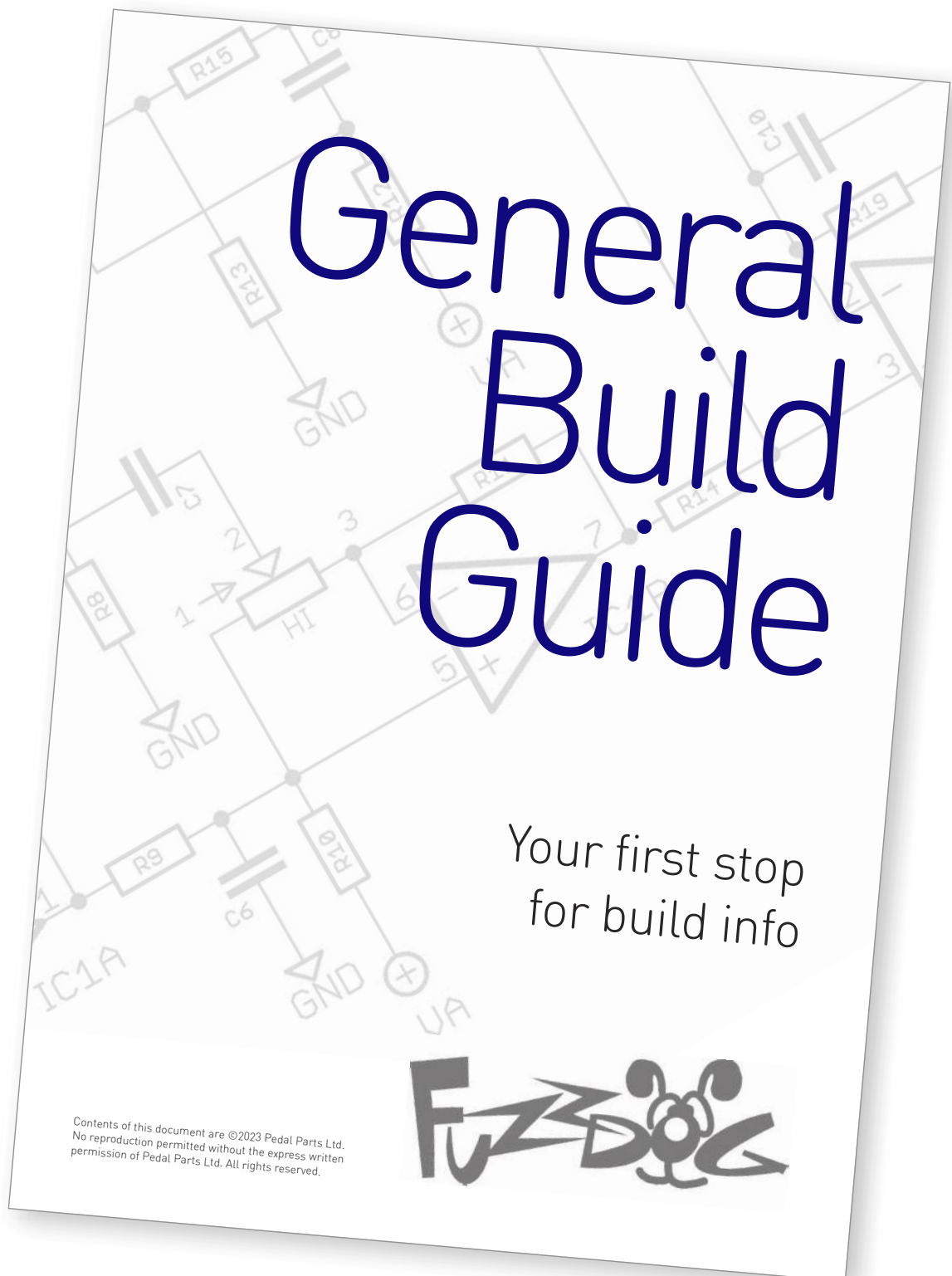
Dumbo Silver

Dumble Silverface
amp-in-a-box

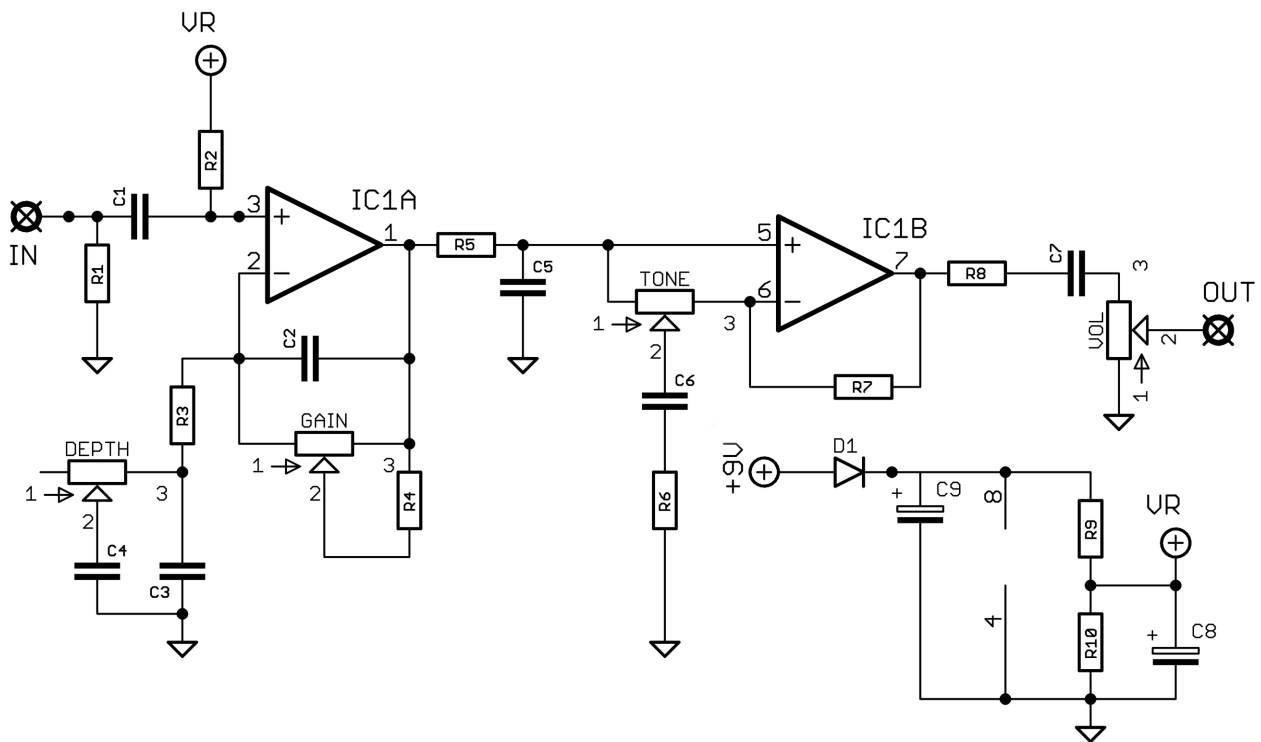


Before you dig in, ensure you download and read the **General Build Guide**.

It contains all the information you need for a successful outcome.



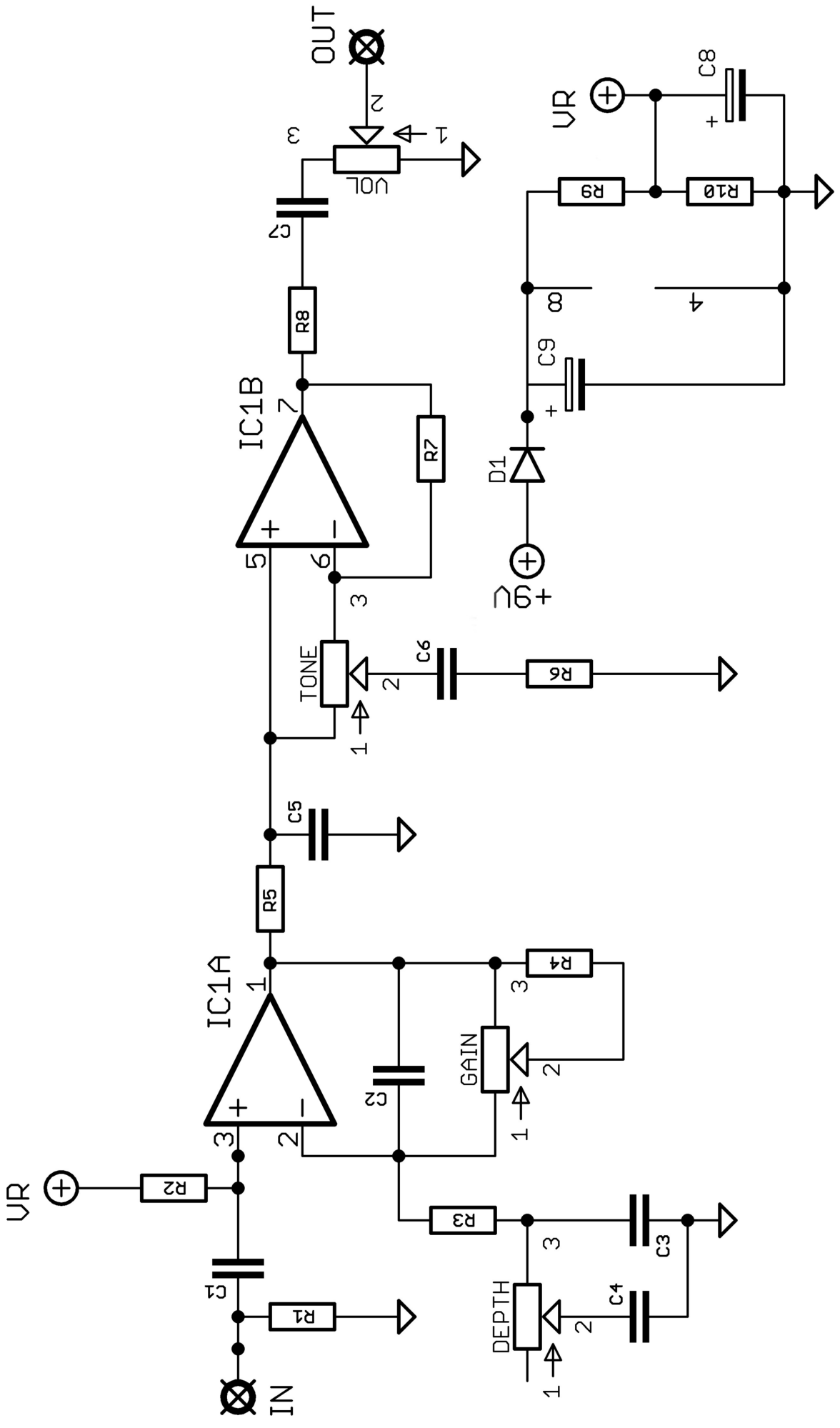
Schematic + BOM

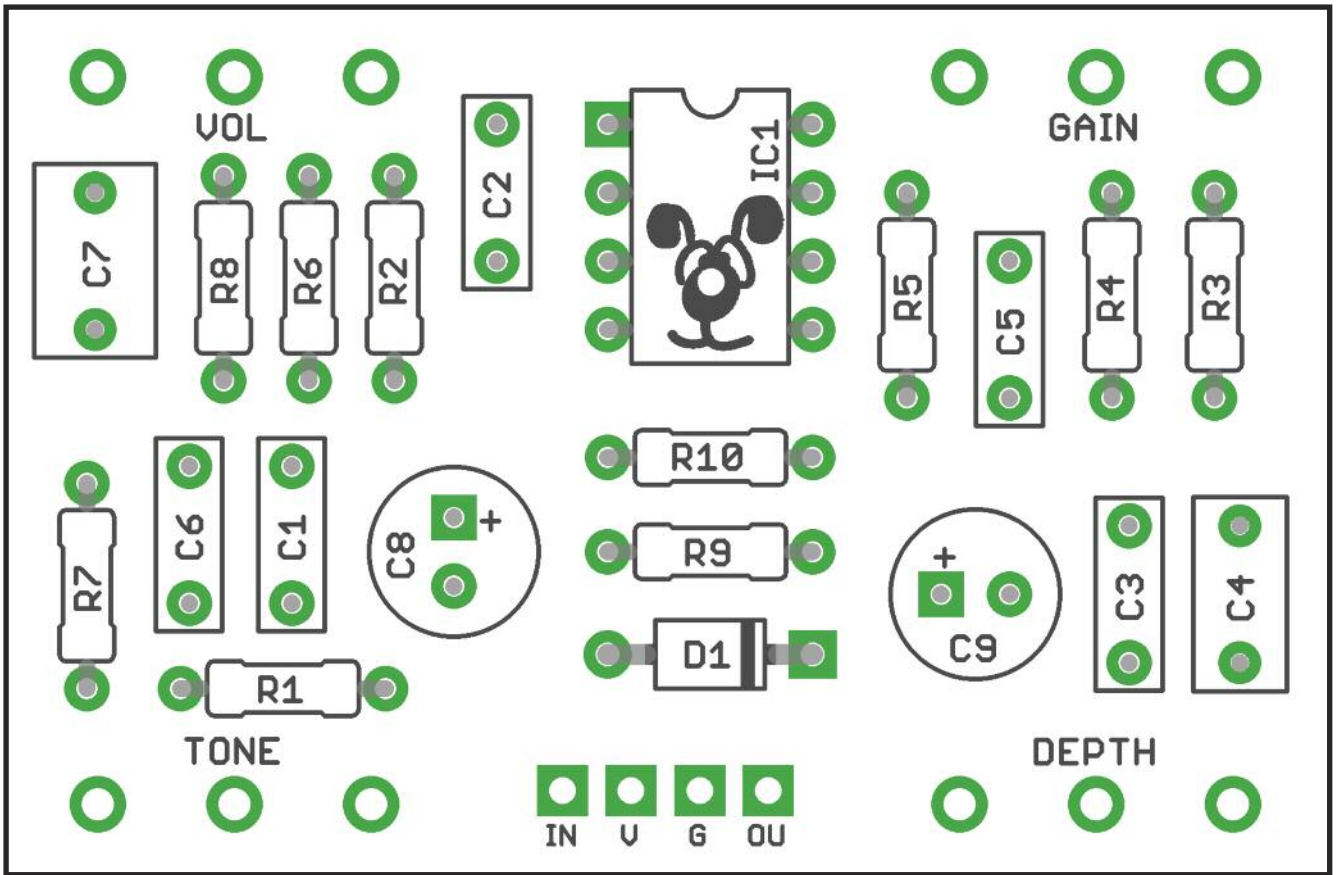


R1	2M2
R2	470K
R3	820R
R4	10K
R5	1K
R6	220R
R7	470R
R8	1K
R9	10K
R10	10K

C1	47n
C2	100p
C3	100n
C4	470n
C5	220n
C6	220n
C7	1u
C8	47u elec
C9	100u elec

IC1	TL072
D1	1N5817
VOL	100KA
DEP	25KB
GAIN	500KB
TONE	25KB





Snap the small metal tag off the pots so they can be mounted flush in the box.

You should solder all other board-mounted components before you solder the pots.

Once they're in place you'll have no access to much of the board.



Drilling template

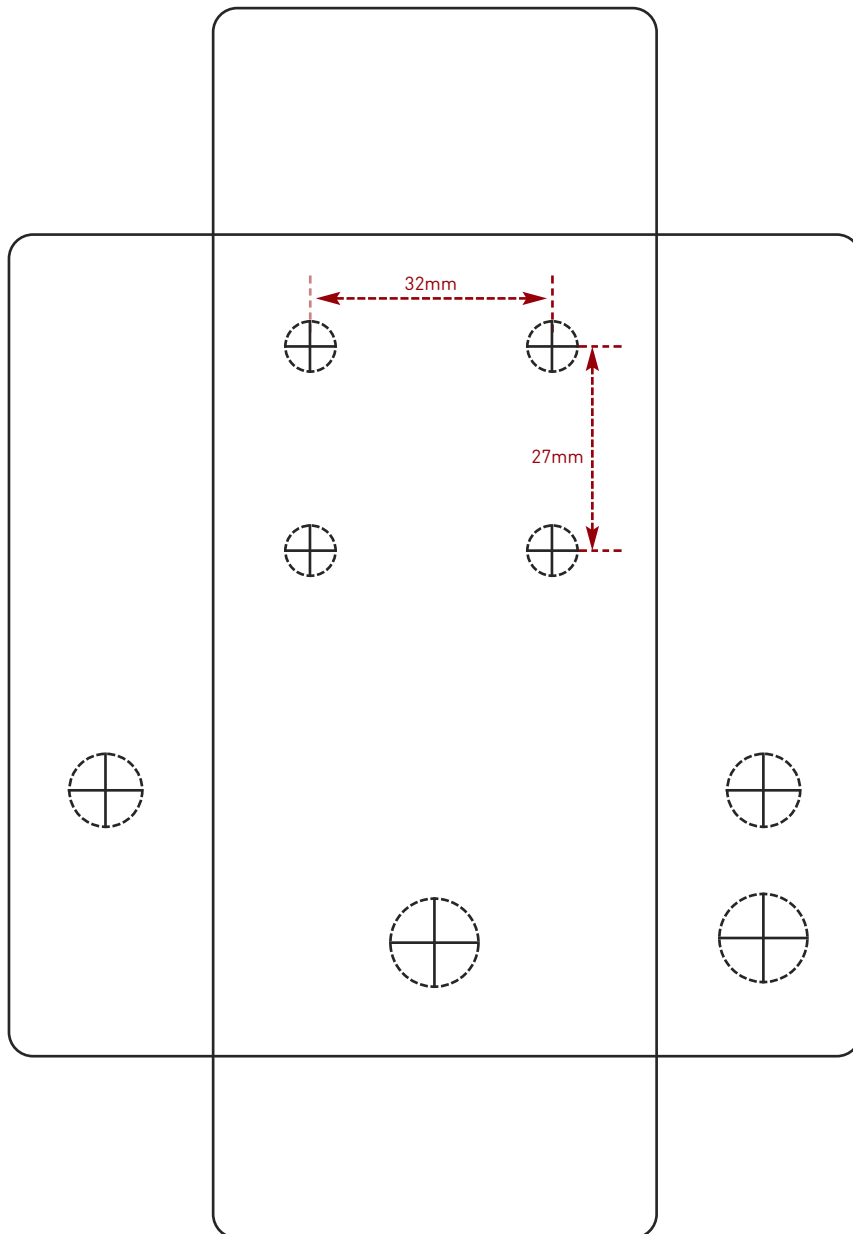
Hammond 1590B - 60 x 111 x 31mm

Drill sizes listed are minimum.

It's a good idea to add 1mm to anything mounted on the PCB that'll poke through the front of the enclosure.

Drill sizes:

Pots	7mm
Jacks	10mm
Footswitch	12mm
DC Socket	12mm
Toggle switches	6mm
Rotary switches	10mm



This template is a rough guide only. You should ensure correct marking of your enclosure before drilling. You use this template at your own risk.

Pedal Parts Ltd can accept no responsibility for incorrect drilling of enclosures.

FuzzDog.co.uk