

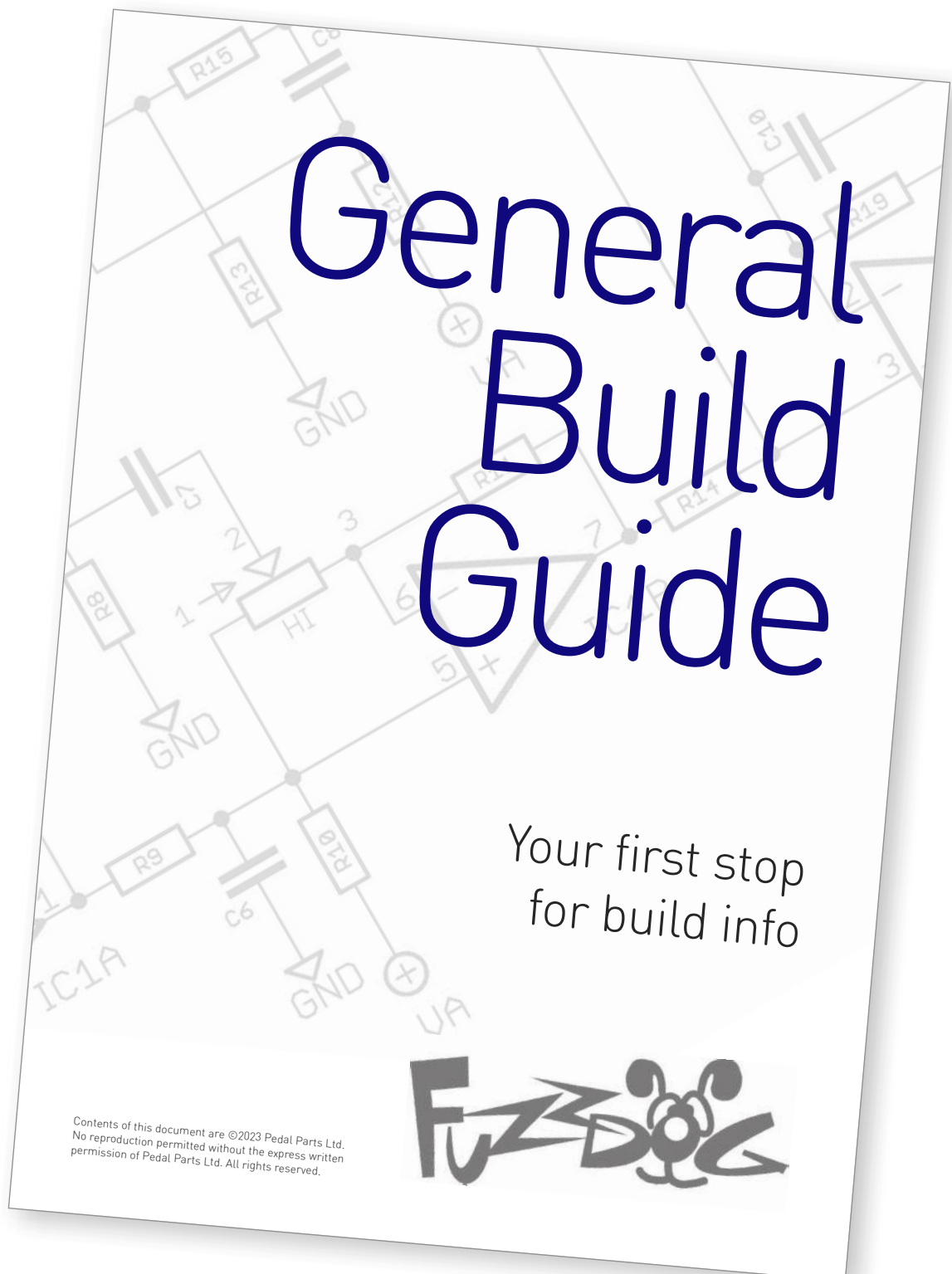
Dumbo Black

Dumble Blackface
amp-in-a-box

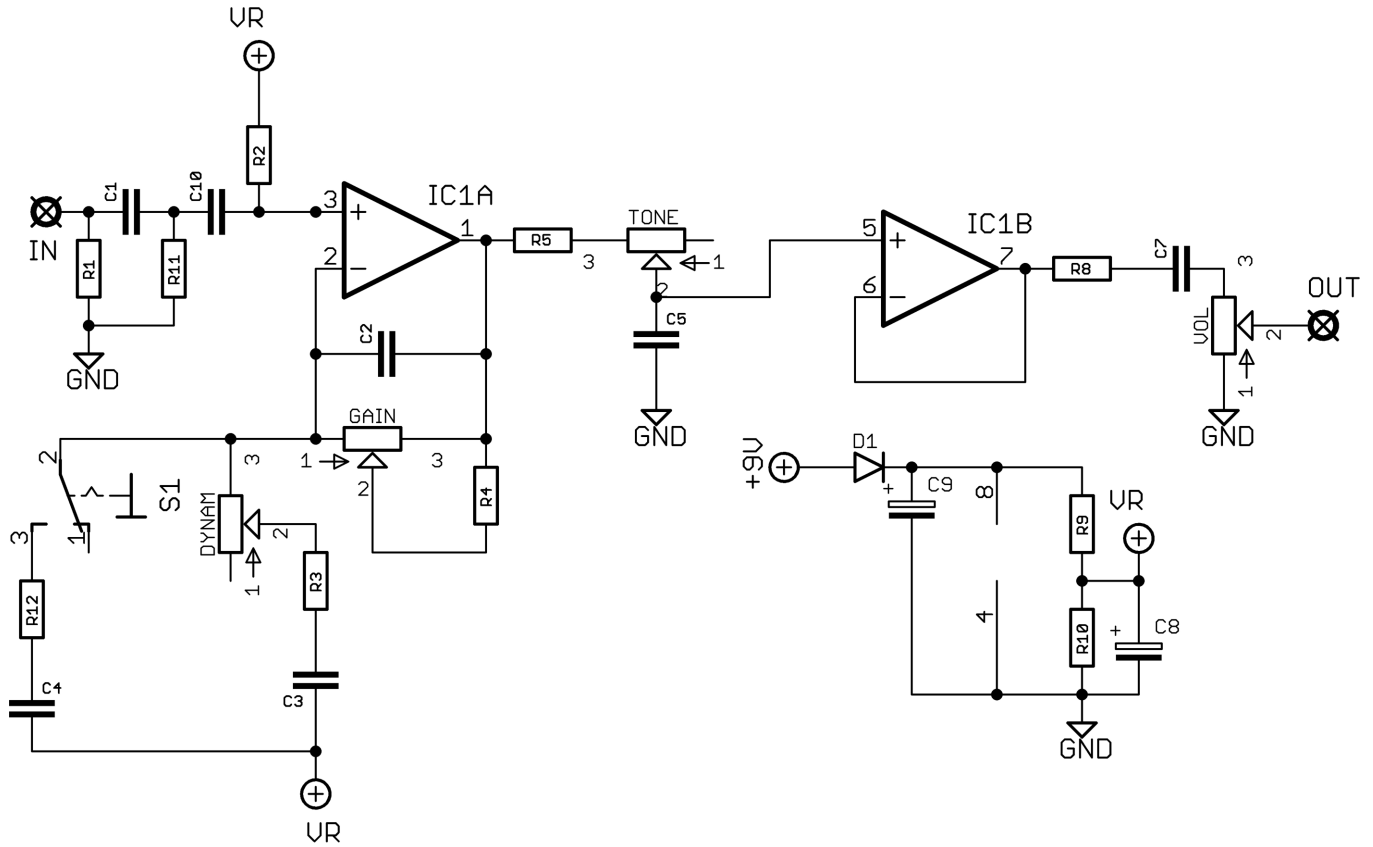


Before you dig in, ensure you download and read the **General Build Guide**.

It contains all the information you need for a successful outcome.



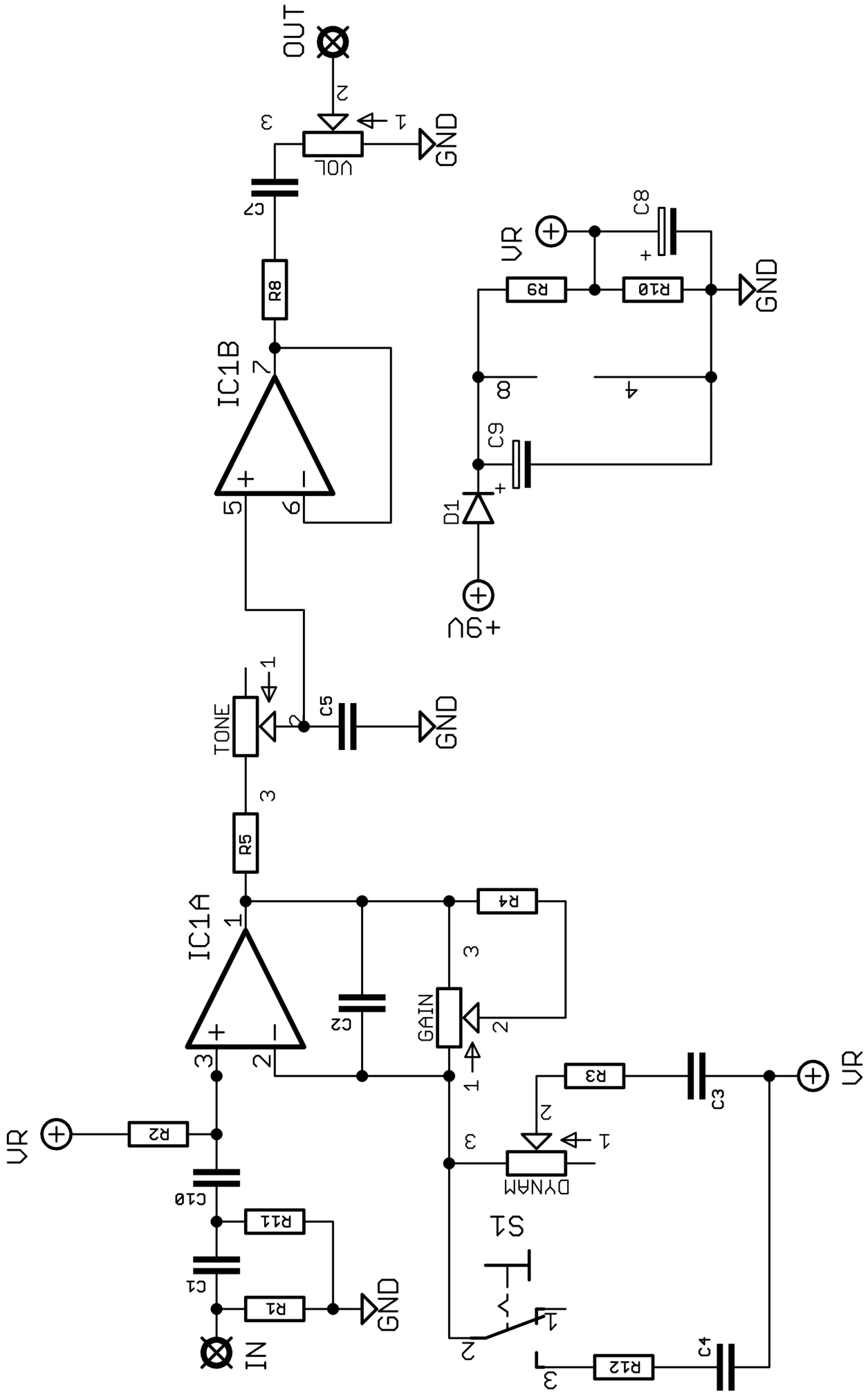
Schematic + BOM

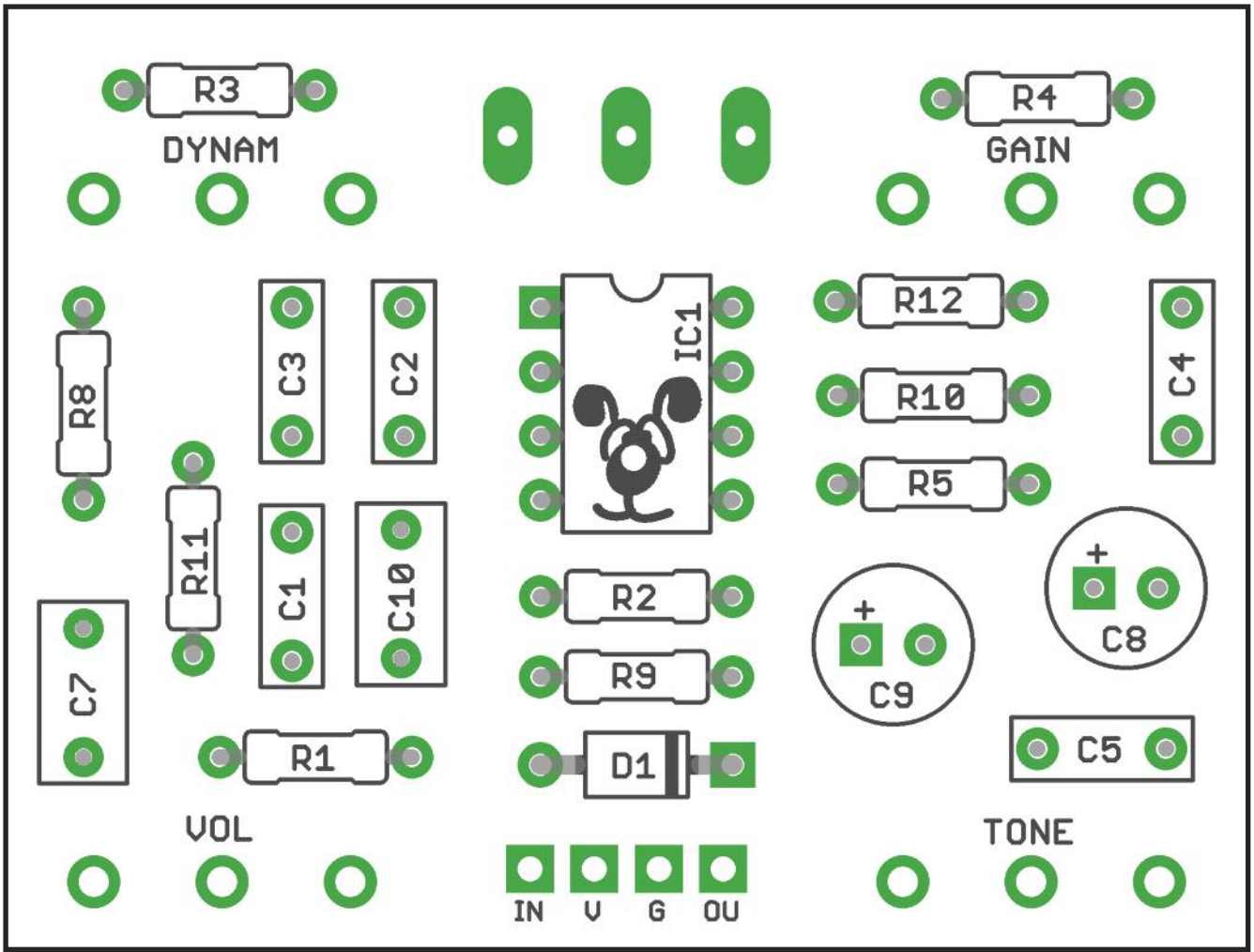


R1 2M2
 R2 470K
 R3 1K
 R4 10K
 R5 10K
 R8 1K
 R9 10K
 R10 10K
 R11 2M2
 R12 3K9

C1 10n
 C2 100p
 C3 100n
 C4 220n
 C5 3n3
 C7 470n
 C8 47u elec
 C9 100u elec
 C10 470n

IC1 TL072
 VOL 100KA
 DYN 10KB
 GAIN 1MB
 TONE 50KB
 S1 SPDT ON-ON

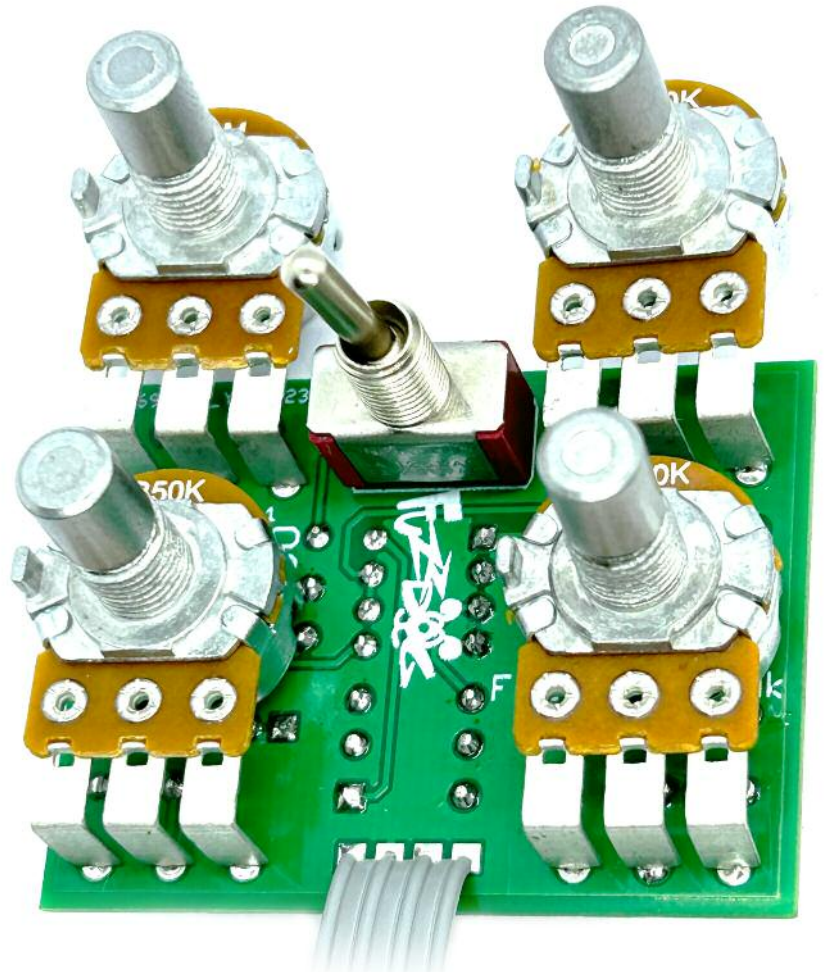




Snap the small metal tag off the pots so they can be mounted flush in the box.

You should solder all other board-mounted components before you solder the pots.

Once they're in place you'll have no access to much of the board.



Drilling template

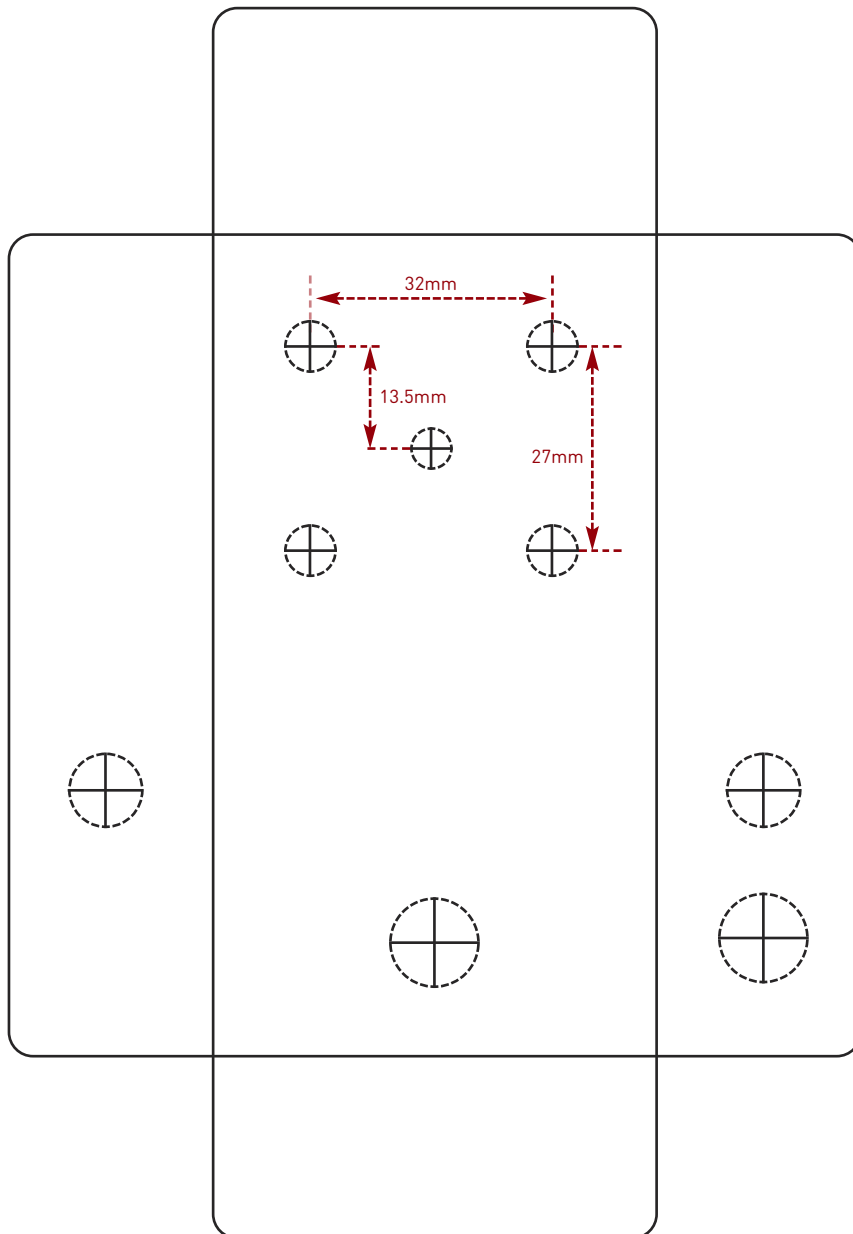
Hammond 1590B - 60 x 111 x 31mm

Drill sizes listed are minimum.

It's a good idea to add 1mm to anything mounted on the PCB that'll poke through the front of the enclosure.

Drill sizes:

Pots	7mm
Jacks	10mm
Footswitch	12mm
DC Socket	12mm
Toggle switches	6mm
Rotary switches	10mm



This template is a rough guide only. You should ensure correct marking of your enclosure before drilling. You use this template at your own risk.

Pedal Parts Ltd can accept no responsibility for incorrect drilling of enclosures.

FuzzDog.co.uk