

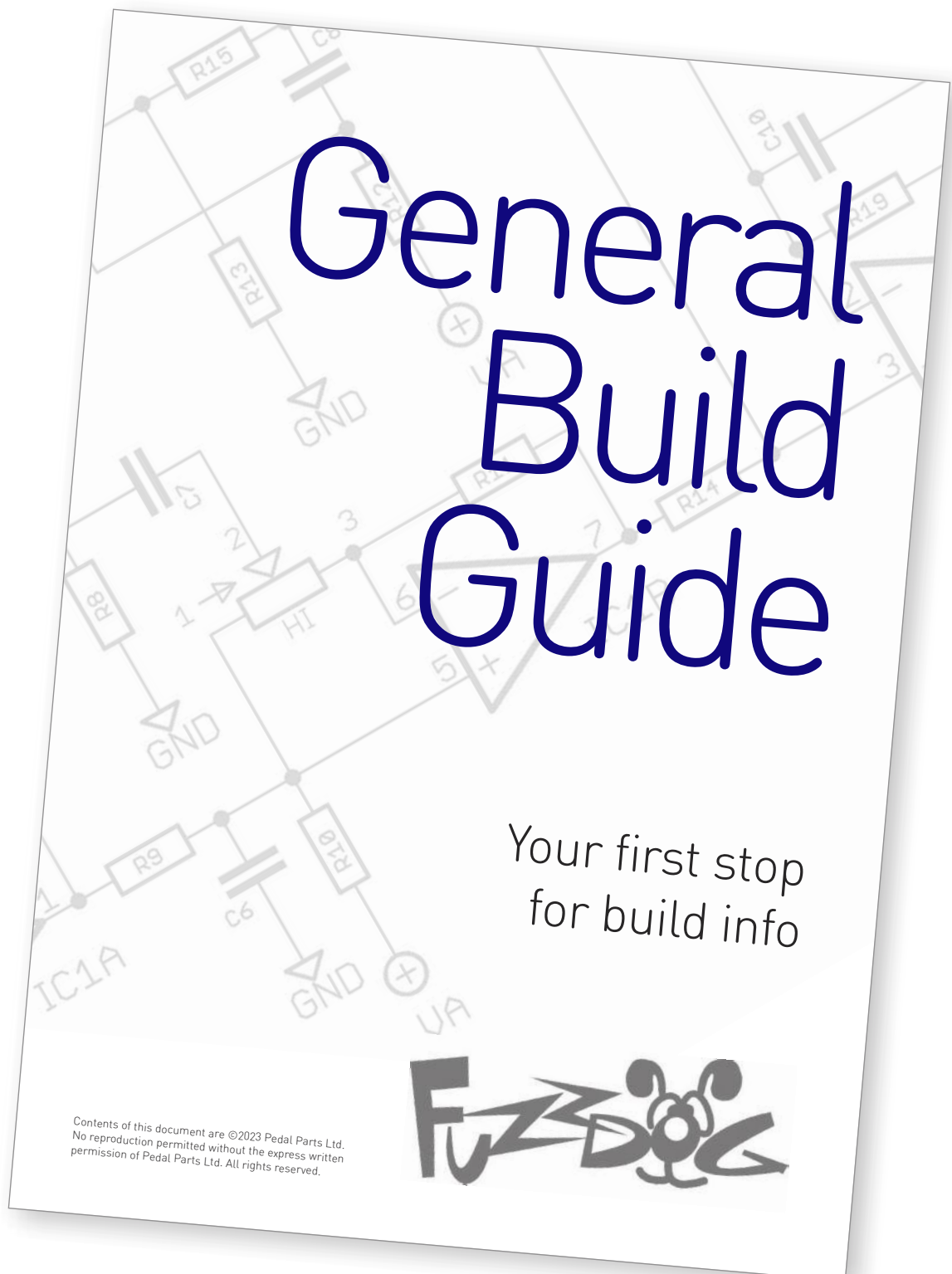
Stinky Cheese V2

Full-on fuzz with four-way
tone shaping switch

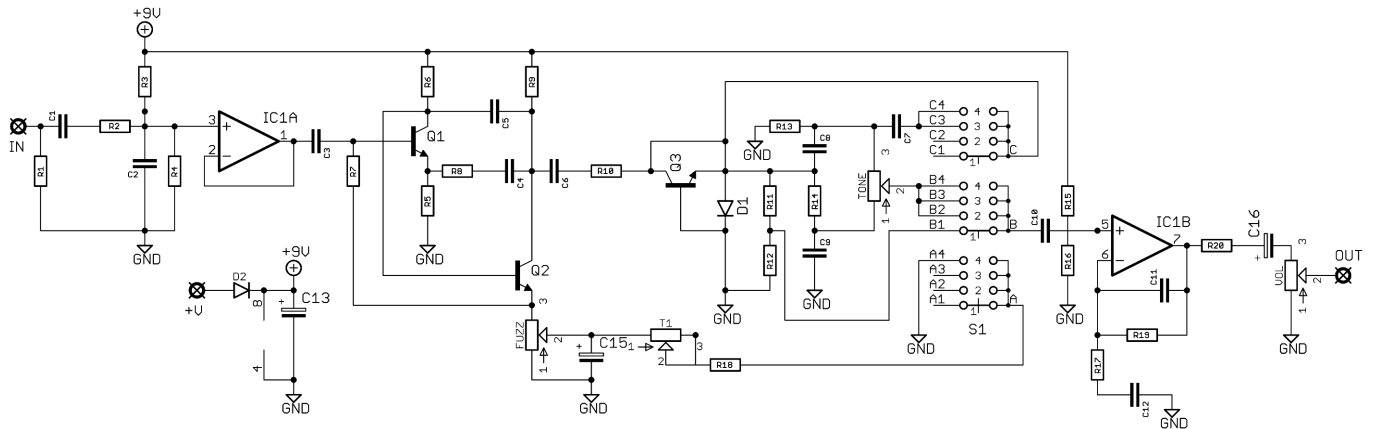


Before you dig in, ensure you download and read the **General Build Guide**.

It contains vital information required for a successful outcome.

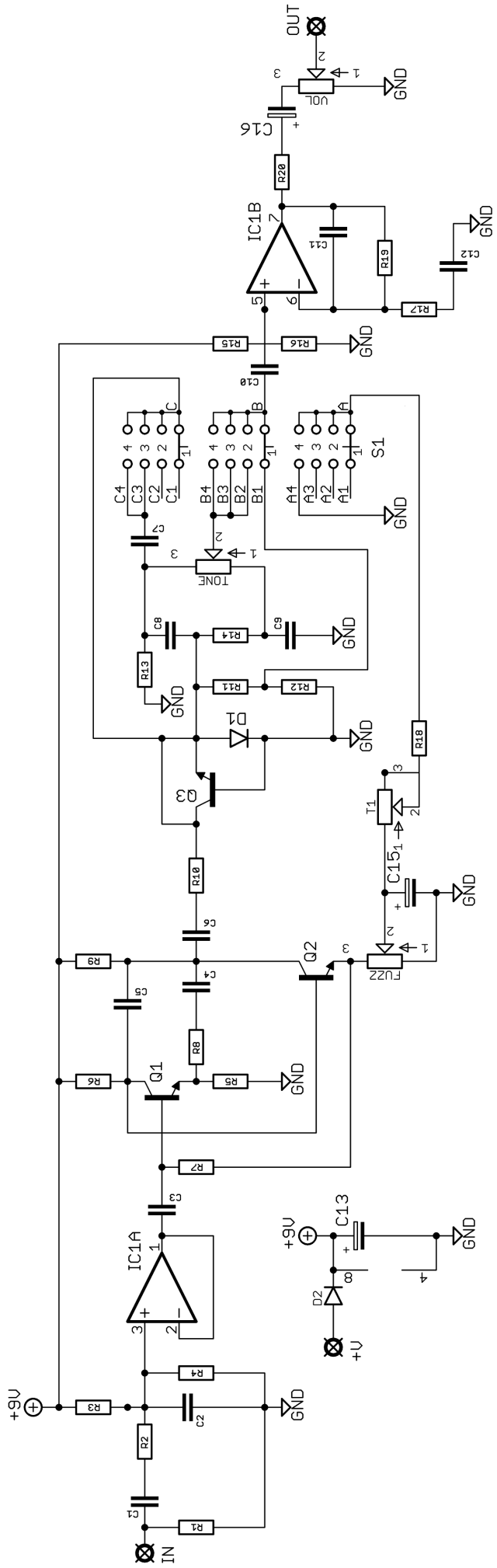


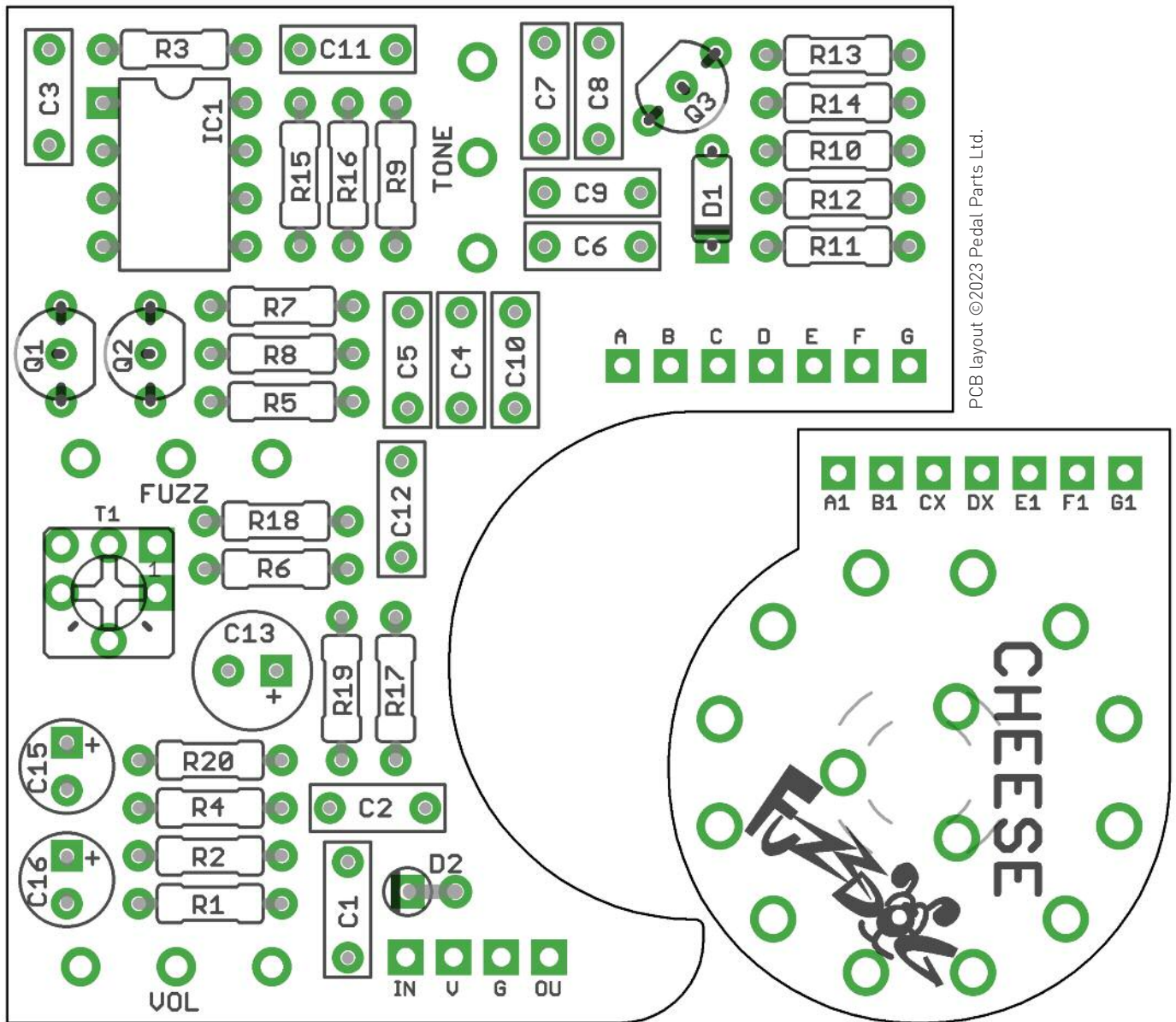
Schematic + BOM



R1	4M7	C1	47n	Q1-3	2N3904
R2	1K	C2	1n5	IC1	TL072
R3	680K	C3	47n	D1	1N4148
R4	680K	C4	47n	D2	1N5817
R5	470R	C5	47p	FUZZ	1KB
R6	100K	C6	47n	VOL	10KA
R7	100K	C7	6n8	TONE	100KB
R8	470K	C8	2n2	T1	1K Trim
R9	10K	C9	10n	SWITCH	3P4T Rotary
R10	47K	C10	47n		
R11	47K	C11	100p		
R12	47K	C12	100n		
R13	47K	C13	100u elec		
R14	47K	C15	4u7 elec		
R15	680K	C16	4u7 elec		
R16	680K				
R17	15K				
R18	1K				
R19	33K				
R20	470R				

T1 adjusts the craziness of the fourth tone option.





As you can see on the cover image, the rotary switch is mounted on a separate daughterboard. This has been designed to mount with standard header pins (7-way).

With the pins fully inserted so only the plastic spacer is separating the two PCBs, the rotary switch will sit at exactly the same height as the pots, ensuring a nice fit into the enclosure.

Ignore the jumper on the daughterboard visible on the cover image. This was a prototype board which contained an error, since rectified.



Drilling template

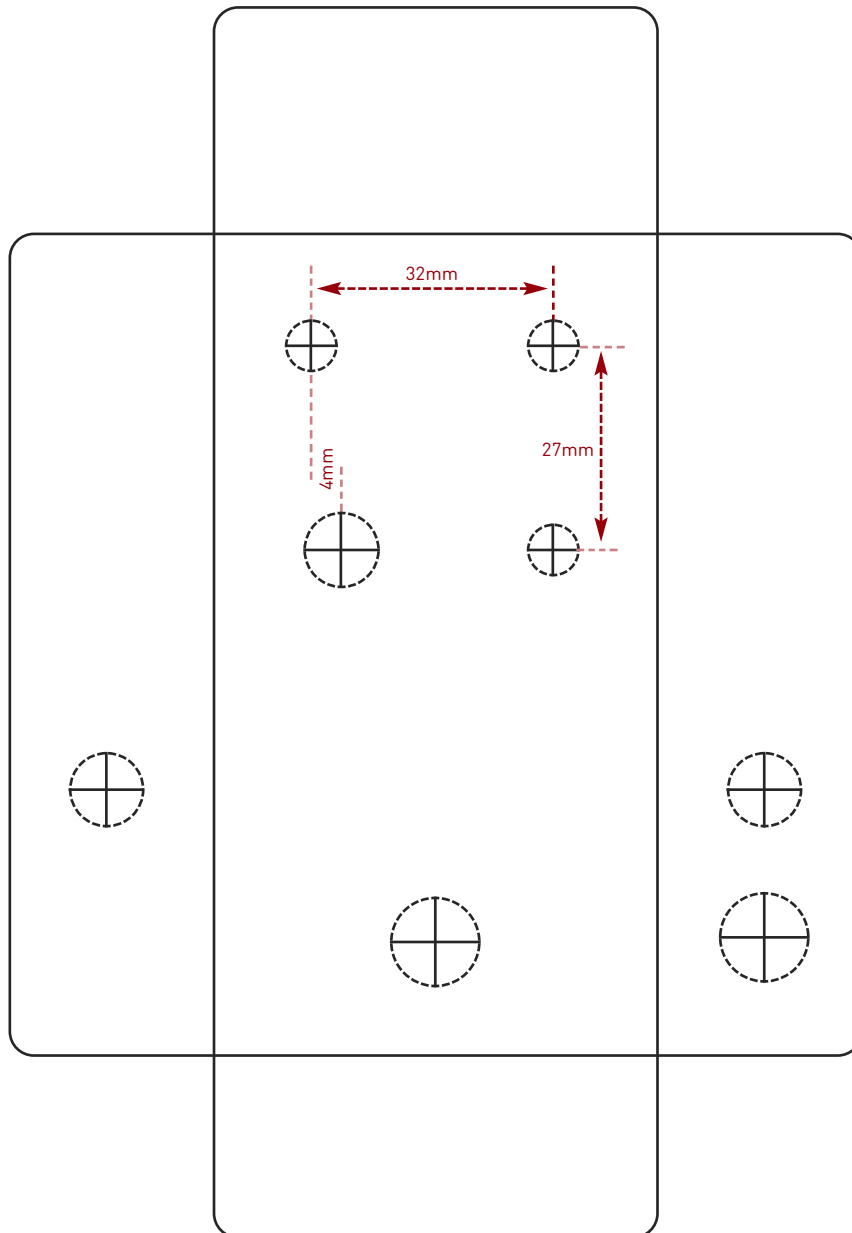
Hammond 1590B - 60 x 111 x 31mm

Drill sizes listed are minimum.

It's a good idea to add 1mm to anything mounted on the PCB that'll poke through the front of the enclosure.

Drill sizes:

Pots	7mm
Jacks	10mm
Footswitch	12mm
DC Socket	12mm
Toggle switches	6mm
Rotary switches	10mm



This template is a rough guide only. You should ensure correct marking of your enclosure before drilling. You use this template at your own risk.

Pedal Parts Ltd can accept no responsibility for incorrect drilling of enclosures.

FuzzDog.co.uk