

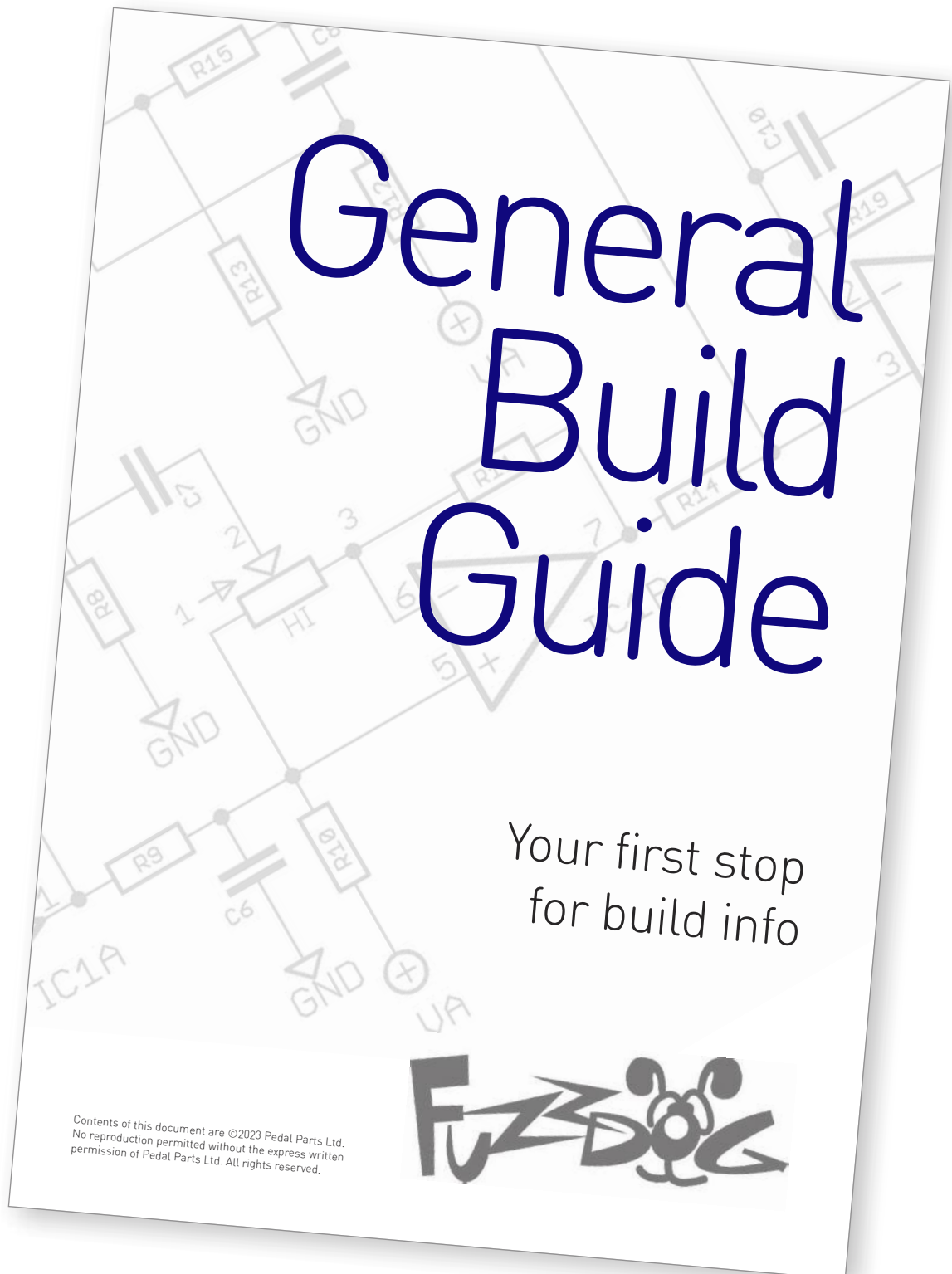
Brain Bomb

PT2399-based Chorus/Vibrato
with 'warp' wobbles

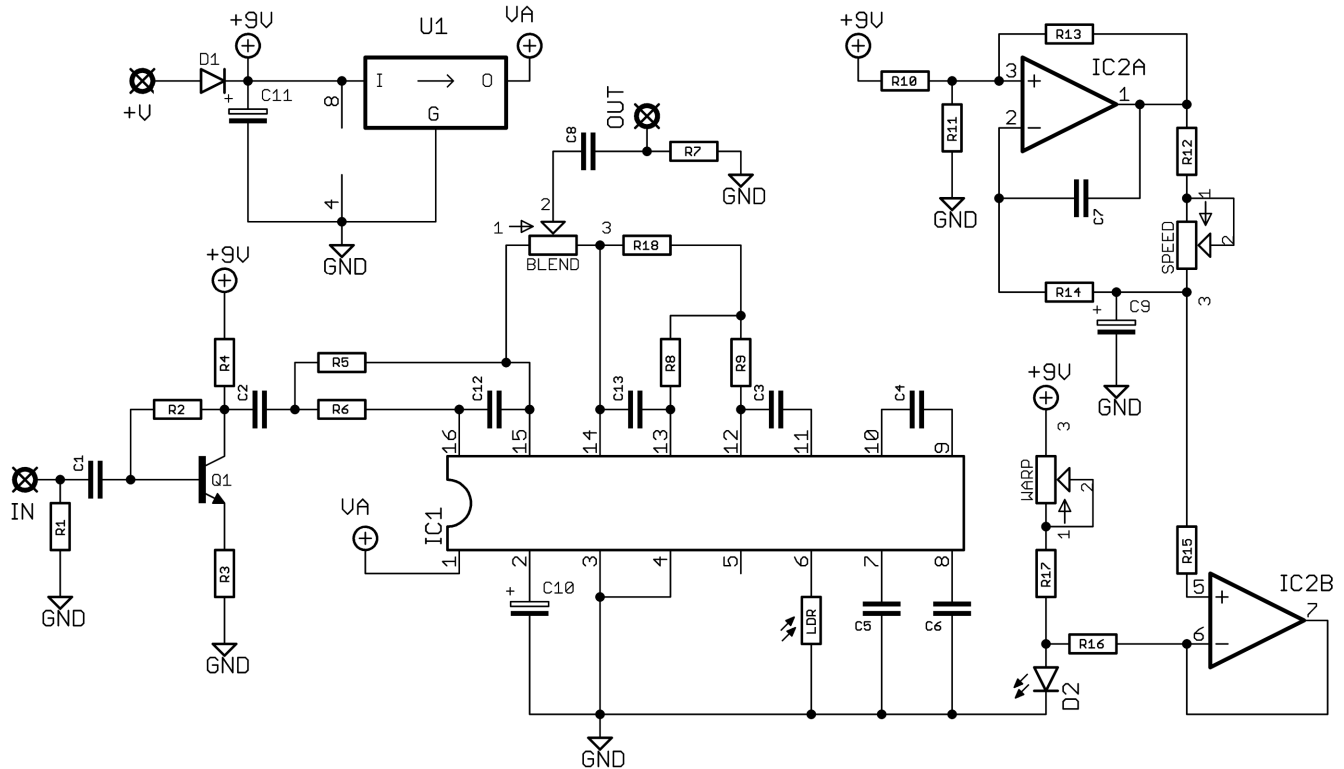


Before you dig in, ensure you download and read the **General Build Guide**.

It contains all the information you need for a successful outcome.

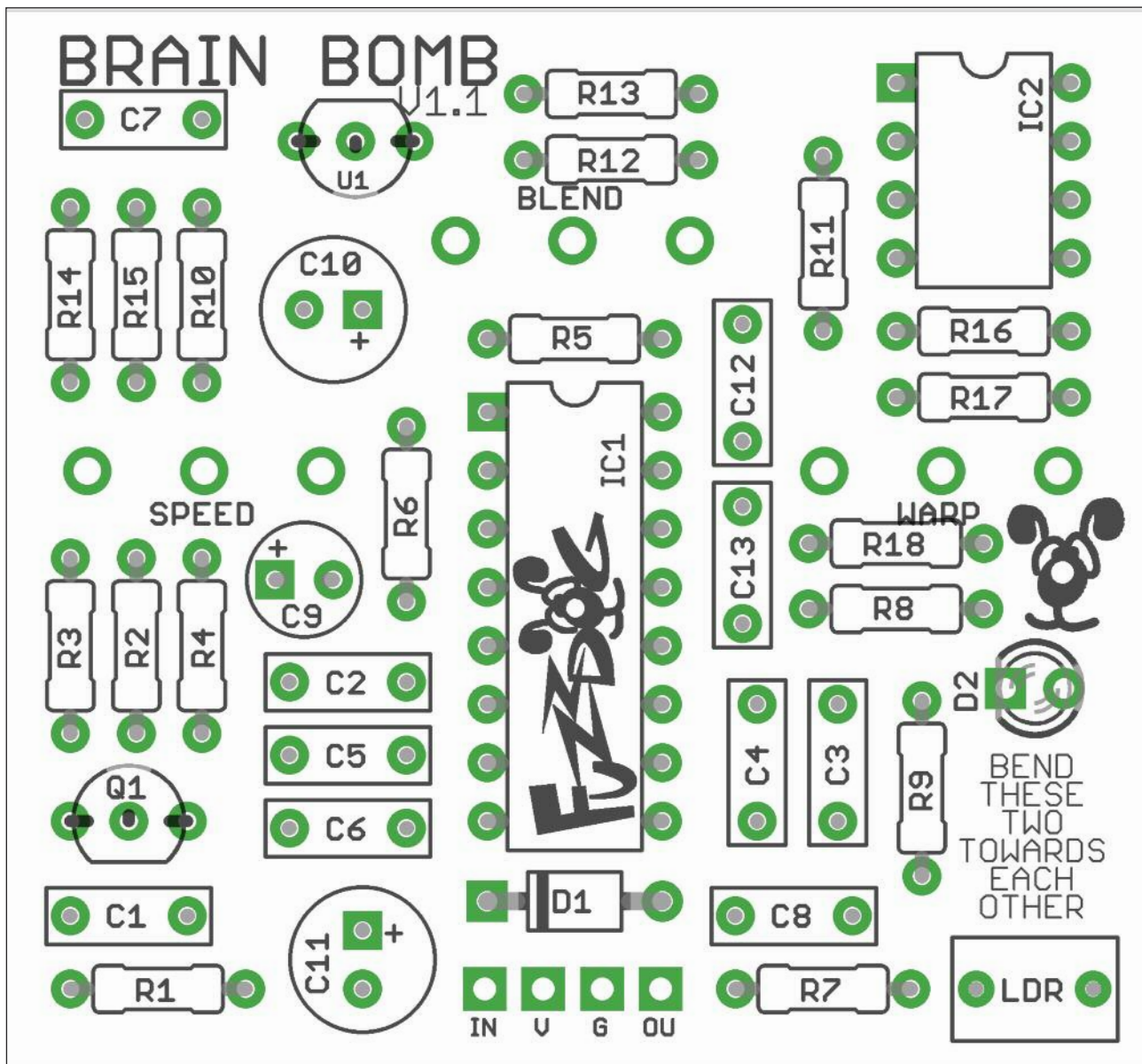


Schematic + BOM



R1	1M	C1	47n	D1	1N5817
R2	470K	C2	47n	D2	3mm Green LED
R3	3K9	C3	10n	Q1	2N5088
R4	22K	C4	10n	U1	78L05 regulator
R5	10K	C5	100n	IC1	PT2399
R6	10K	C6	100n	IC2	TL072
R7	1M	C7	10n	LDR	KE-10720*
R8	10K	C8	100n	BLEND	50KB
R9	10K	C9	4u7 elec	SPEED	100KB
R10	100K	C10	47u elec	WARP	2KB
R11	100K	C11	100u elec		
R12	1K5	C12	3n3		
R13	39K	C13	3n3		
R14	100K				
R15	2M2				
R16	820R				
R17	470R				
R18	15K				

*We've only tried this model and it worked great.



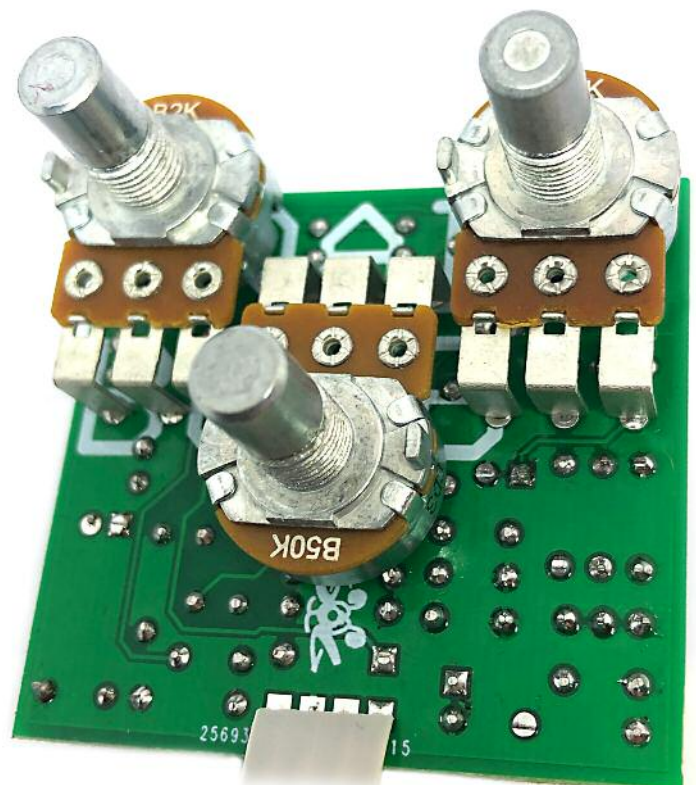
Snap the small metal tag off the pots so they can be mounted flush in the box.

You should solder all other board-mounted components before you solder the pots.

Once they're in place you'll have no access to much of the board.

In the cover image you can see we've covered the LED/LDR combination with electrical tape. This was just for testing purposes. It's not necessary once you have the circuit boxed up.

The WARP control works in reverse, i.e. it gets less wobbly as you rotate clockwise. That's how it is on the original - honest! We can only assume it was an error in the original PCB layout and they went with it.



Drilling template

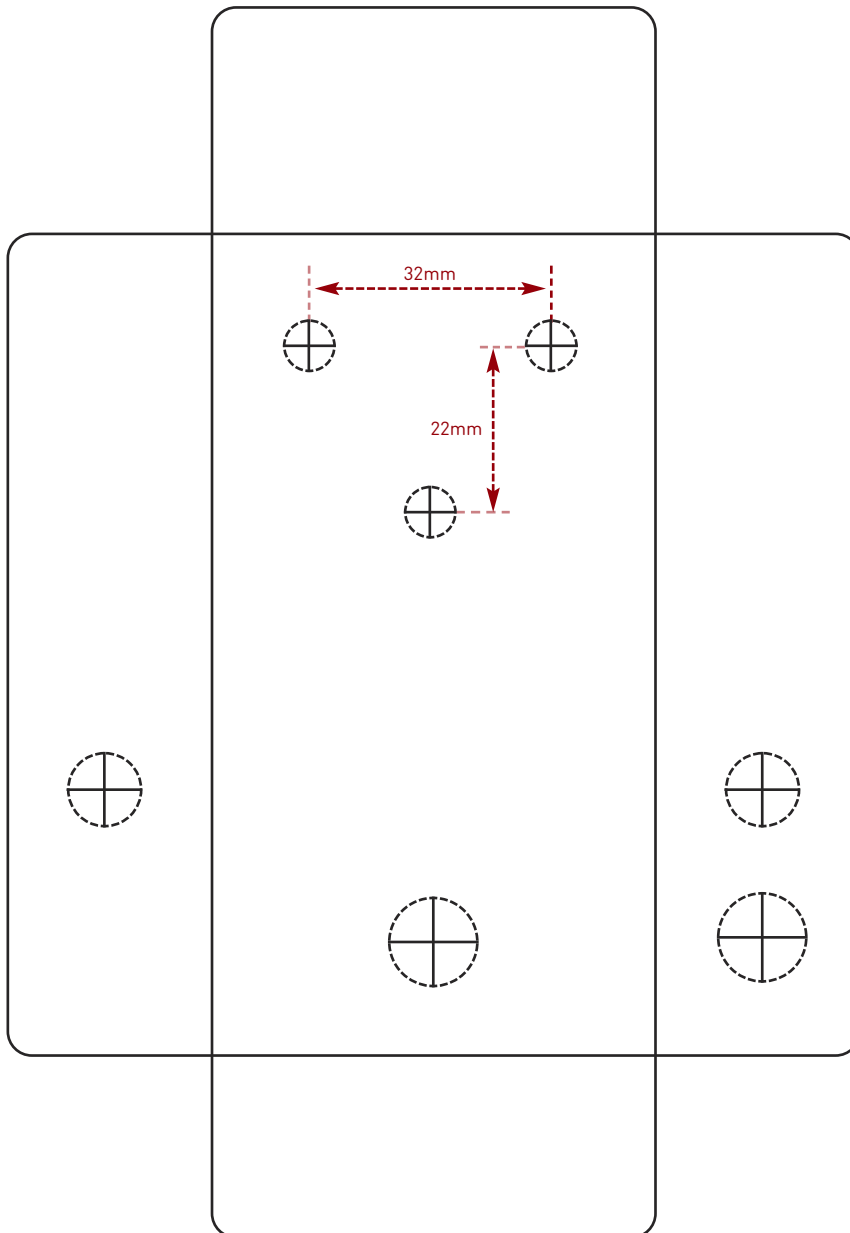
Hammond 1590B - 60 x 111 x 31mm

Drill sizes listed are minimum.

It's a good idea to add 1mm to anything mounted on the PCB that'll poke through the front of the enclosure.

Drill sizes:

Pots	7mm
Jacks	10mm
Footswitch	12mm
DC Socket	12mm
Toggle switches	6mm
Rotary switches	10mm



This template is a rough guide only. You should ensure correct marking of your enclosure before drilling. You use this template at your own risk.

Pedal Parts Ltd can accept no responsibility for incorrect drilling of enclosures.

FuzzDog.co.uk