

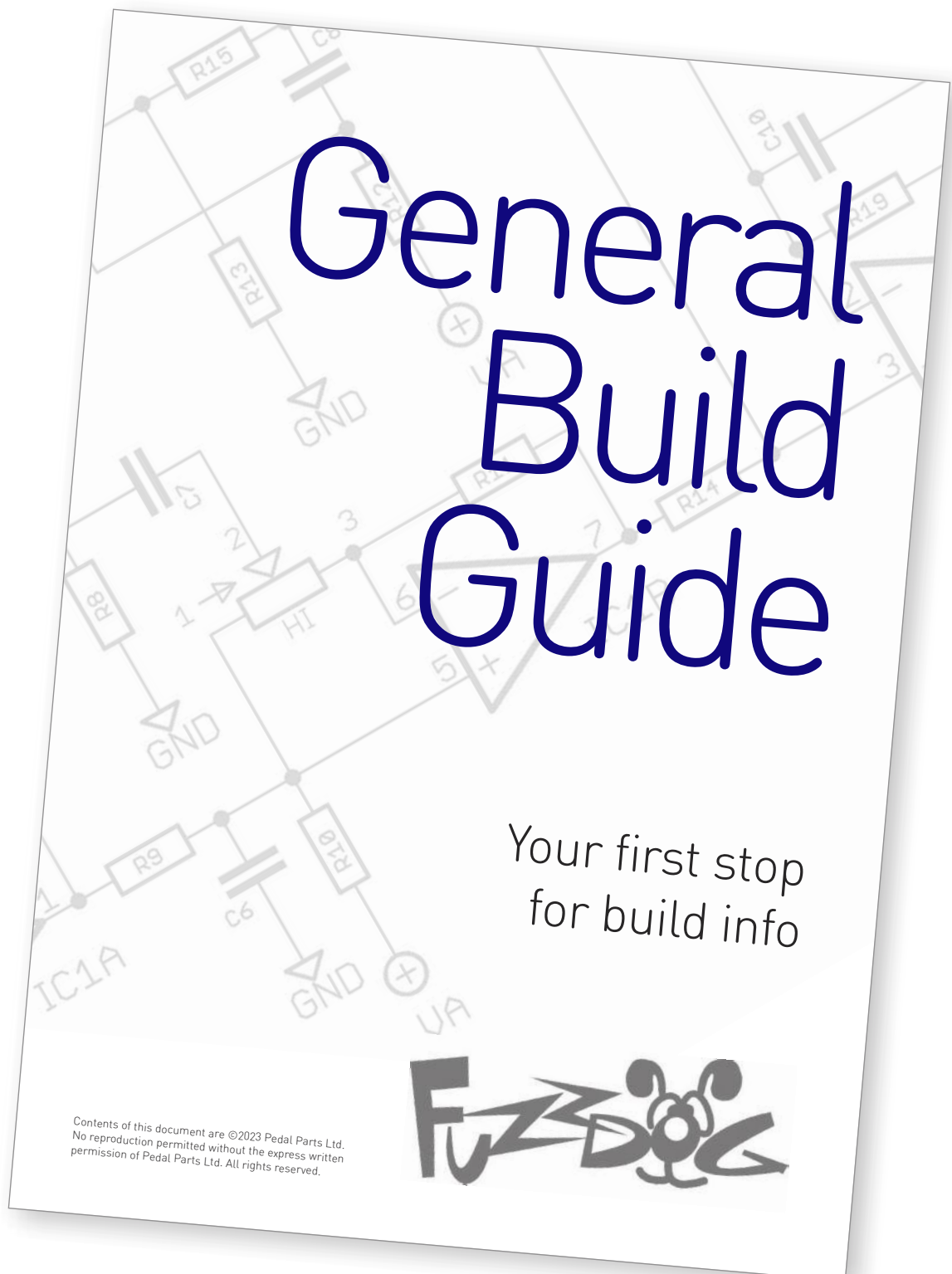
# Blenda

Single footswitch  
Blend-a-Fenda

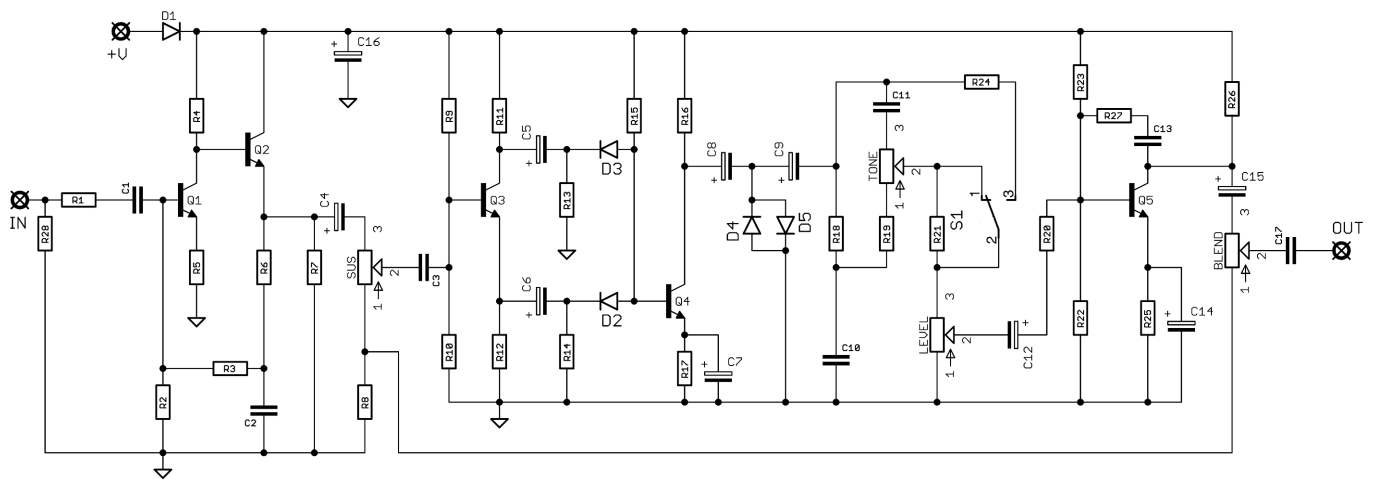


Before you dig in, ensure you download and read the **General Build Guide**.

It contains all the information you need for a successful outcome.



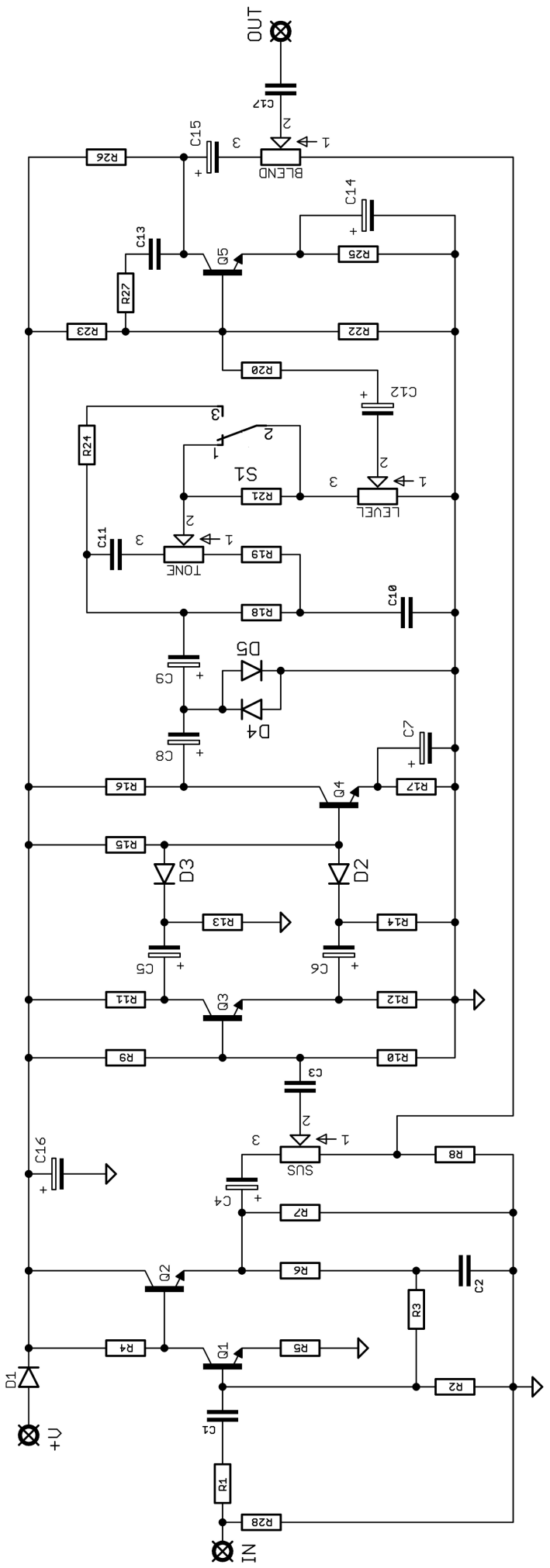
# Schematic + BOM

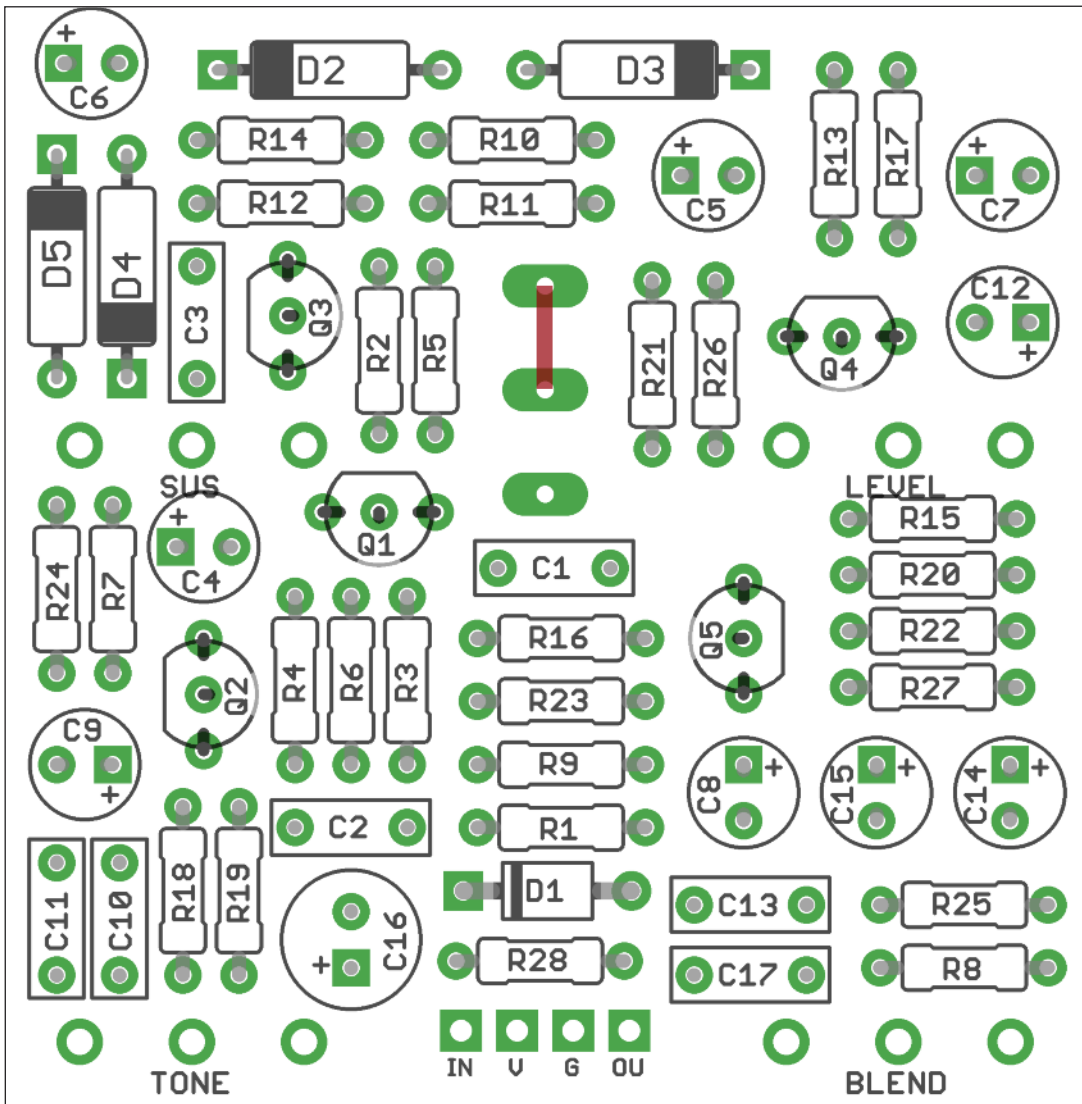


R1	15K	C1	100n	D1	1N5817
R2	150K	C2	47n	D2-5	Ge/BAT46*
R3	560K	C3	100n	Q1-5	2N5088**
R4	47K	C4	10u elec	BLEND	100KB
R5	1K5	C5	10u elec	LEVEL	50KA
R6	120K	C6	10u elec	SUST	10KA
R7	10K	C7	10u elec	TONE	25KB
R8	680R	C8	10u elec	S1	SPDT ON-ON
R9	220K	C9	10u elec	The toggle switch engages 'Expand' mode, which is the second footswitch on the original. Toggle down = on.	
R10	150K	C10	100n		
R11	8K2	C11	3n3		
R12	8K2	C12	10u elec		
R13	27K	C13	1n		
R14	27K	C14	10u elec		
R15	100K	C15	10u elec		
R16	10K	C16	100u elec		
R17	820R	C17	100n		
R18	27K				
R19	3K9				
R20	10K				
R21	100K				
R22	18K				
R23	150K				
R24	47K				
R25	820R				
R26	10K				
R27	3K9				
R28	1M				

\*Germanium in the original. If you opt for Ge we'll supply Russian diodes, so these will need to be reversed compared to the PCB silkscreen. The stripes indicate anode on these. BAT46 are readily available and behave almost identical to Ge diodes in this circuit.

\*\*Other NPN BJTs can be substituted, such as 2N3904 or 2N5089.



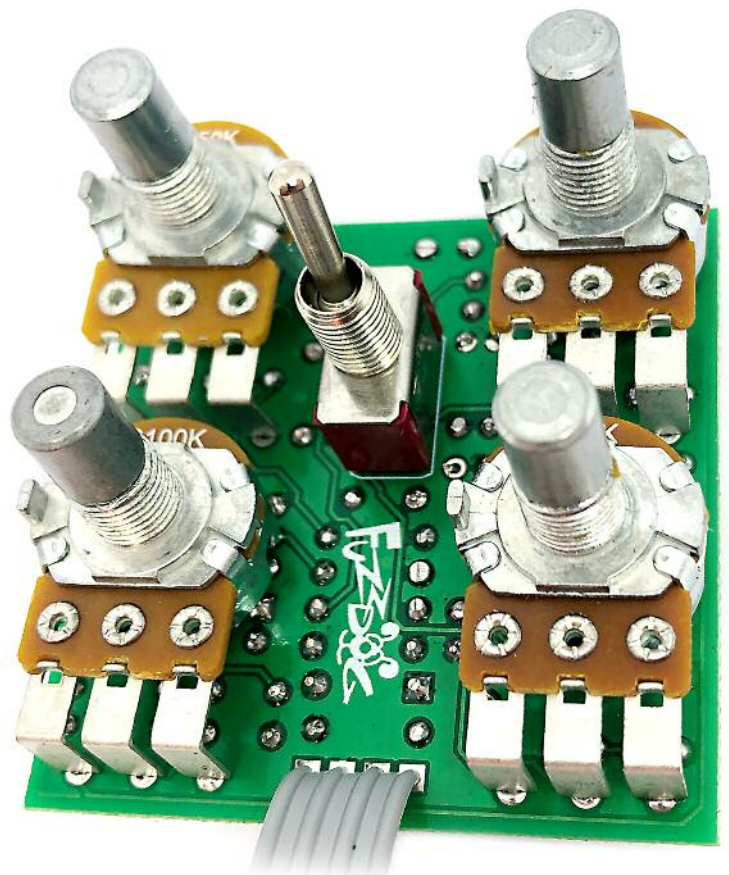


Snap the small metal tag off the pots so they can be mounted flush in the box.

You should solder all other board-mounted components before you solder the pots. Once they're in place you'll have no access to much of the board.

## Toggle switch

We've come up with this version of the circuit because, in our opinion, the pedal sounds awful without the tone expansion engaged. If you want to keep it simple and have this mode always-on, you can leave out the toggle and add a jumper as shown above in red.



# Drilling template

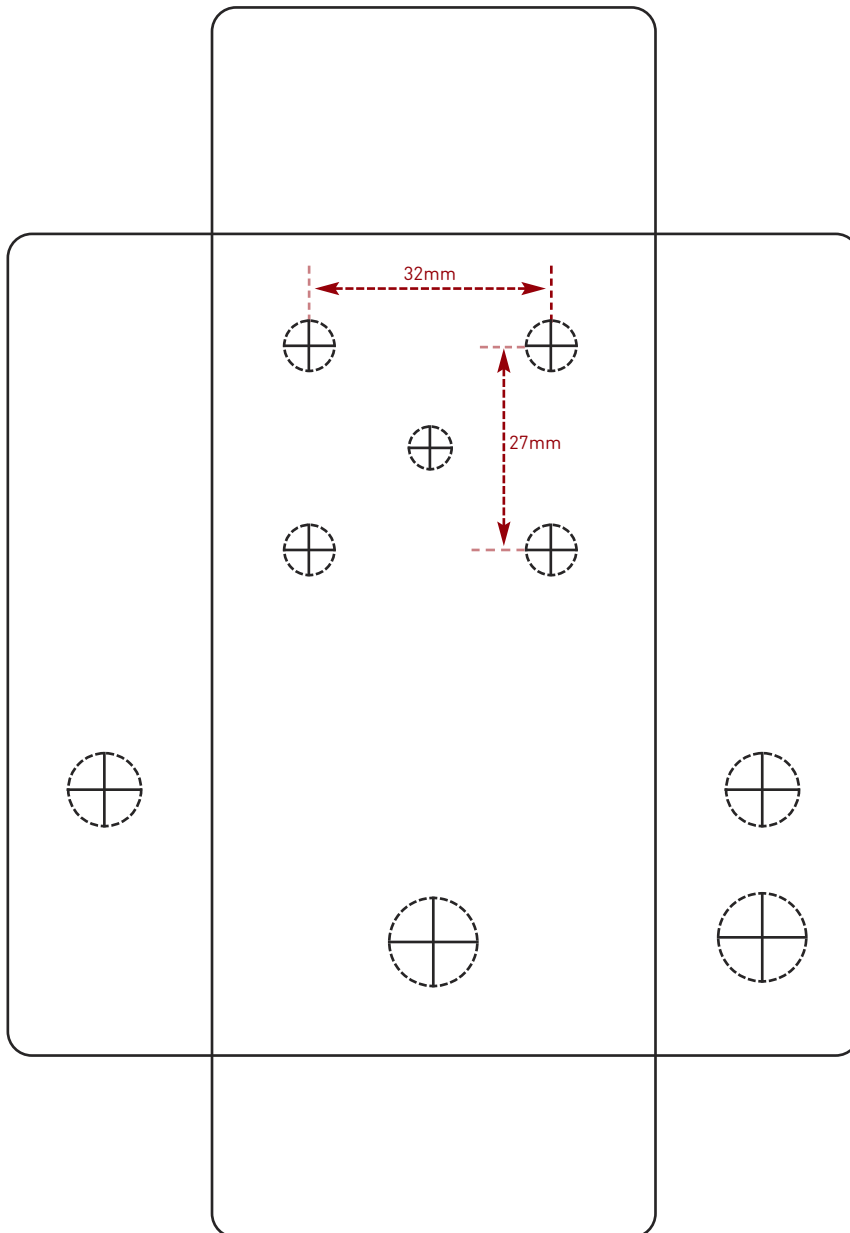
**Hammond 1590B - 60 x 111 x 31mm**

Drill sizes listed are minimum.

It's a good idea to add 1mm to anything mounted on the PCB that'll poke through the front of the enclosure.

Drill sizes:

Pots	7mm
Jacks	10mm
Footswitch	12mm
DC Socket	12mm
Toggle switches	6mm
Rotary switches	10mm



This template is a rough guide only. You should ensure correct marking of your enclosure before drilling. You use this template at your own risk.

Pedal Parts Ltd can accept no responsibility for incorrect drilling of enclosures.

FuzzDog.co.uk