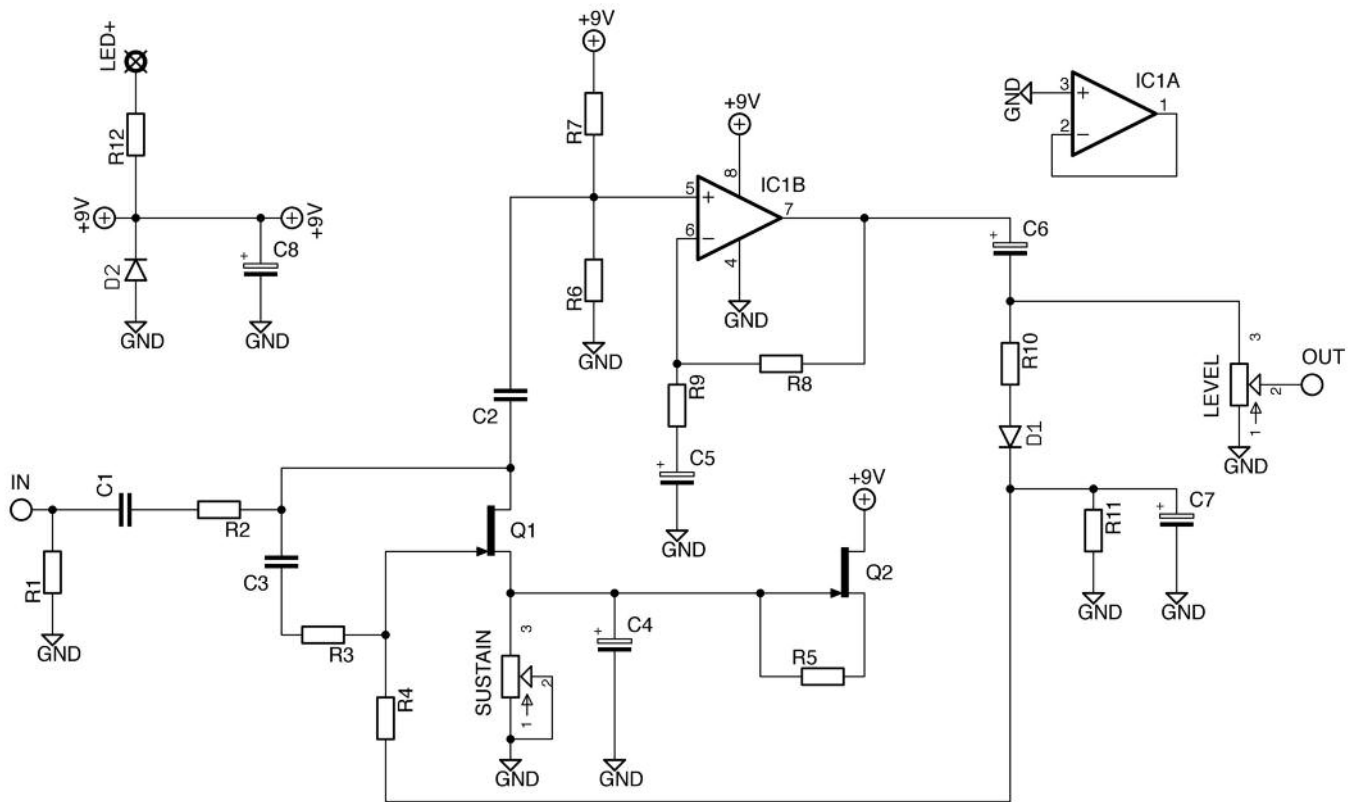


Big Skweez

Orange Squeezer
Compressor Clone

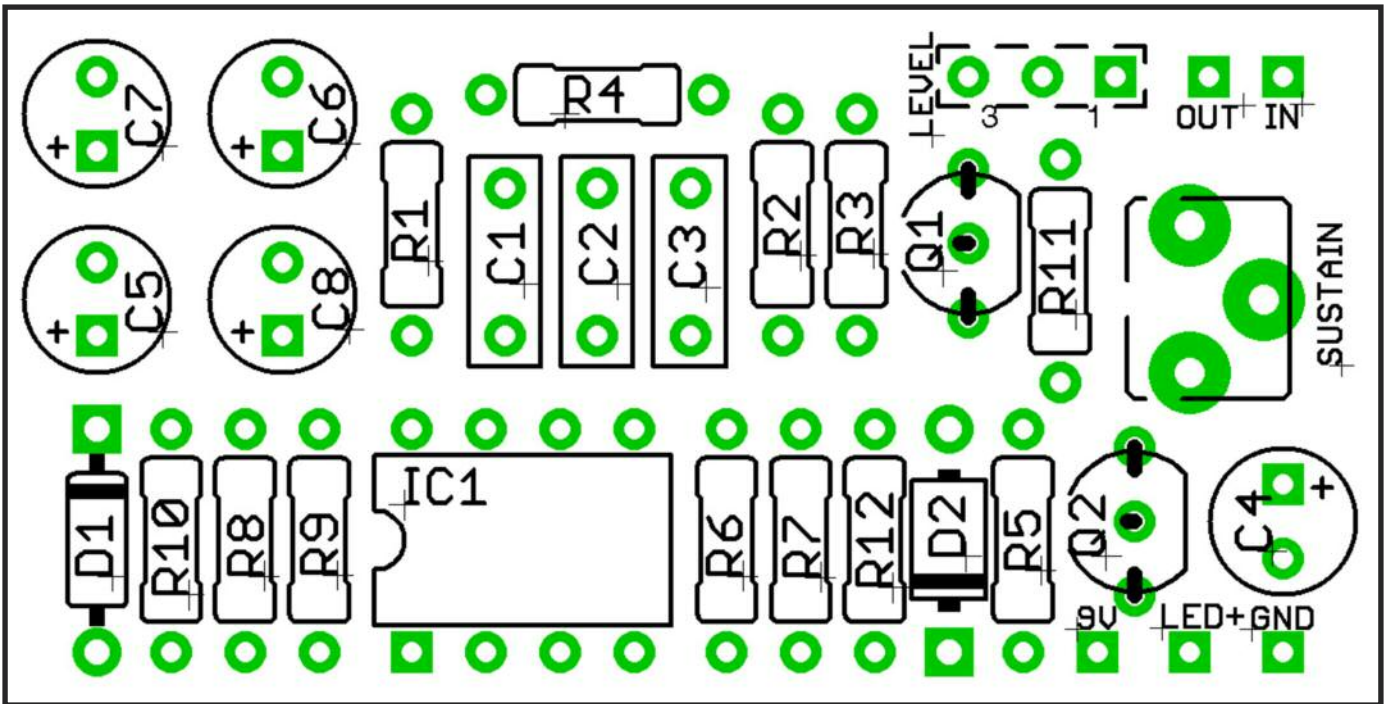
PedalParts.co.uk

Schematic



BOM

R1	4M7	C1	47n	Parts marked in blue are mods for bass	
R2	82K	C2	47n		
R3	470K	C3	2n2		
R4	470K	C4	4u7		
R5	2K4	C5	4u7	Q1	2N5457
R6	470K	C6	4u7 (1u)	Q2	2N5457
R7	390K	C7	4u7 (10u)	IC	4558
R8	220K (200K)	C8	47u	SUST	10K trim
R9	10K	D1	1N4148	VOL	10KA
R10	1K5	D2	1N4001		
R11	100K				
R12	2K2				



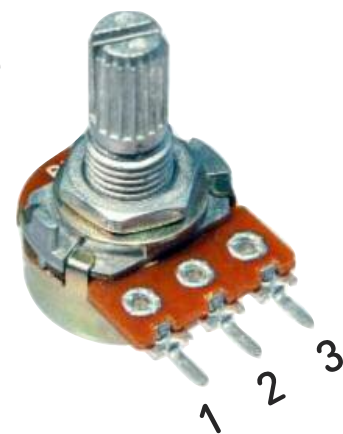
****NOTE: diodes in the cover image are switched - sorry about that!**

Wiring shown overleaf will disconnect the battery when you remove the jack plug from the input, and also when a DC plug is inserted.

Snap the little metal tag off the pot to mount it flush in the box.

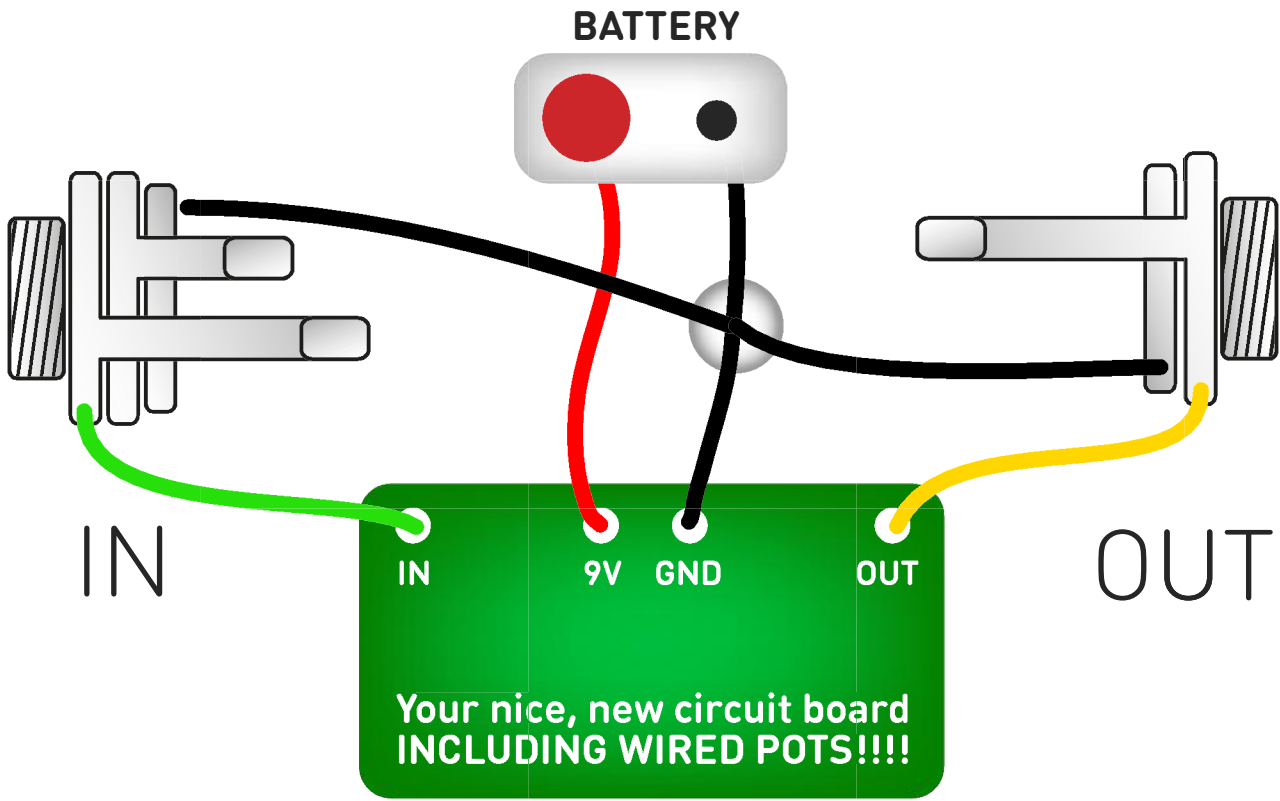
You MUST use some kind of heat sink on the legs of the LED and the transistors when soldering. Also be very careful if you're soldering the IC directly to the board rather than using the socket. They aren't keen on heat. Any more than a couple of seconds of iron and they're toast.

Recommended assembly order:
Resistors, IC Socket, Caps, Diodes,
Transistors, Pot, Wires



Adjust the sustain trimmer until you get a satisfactory balance between compression and distortion.

Test the board!

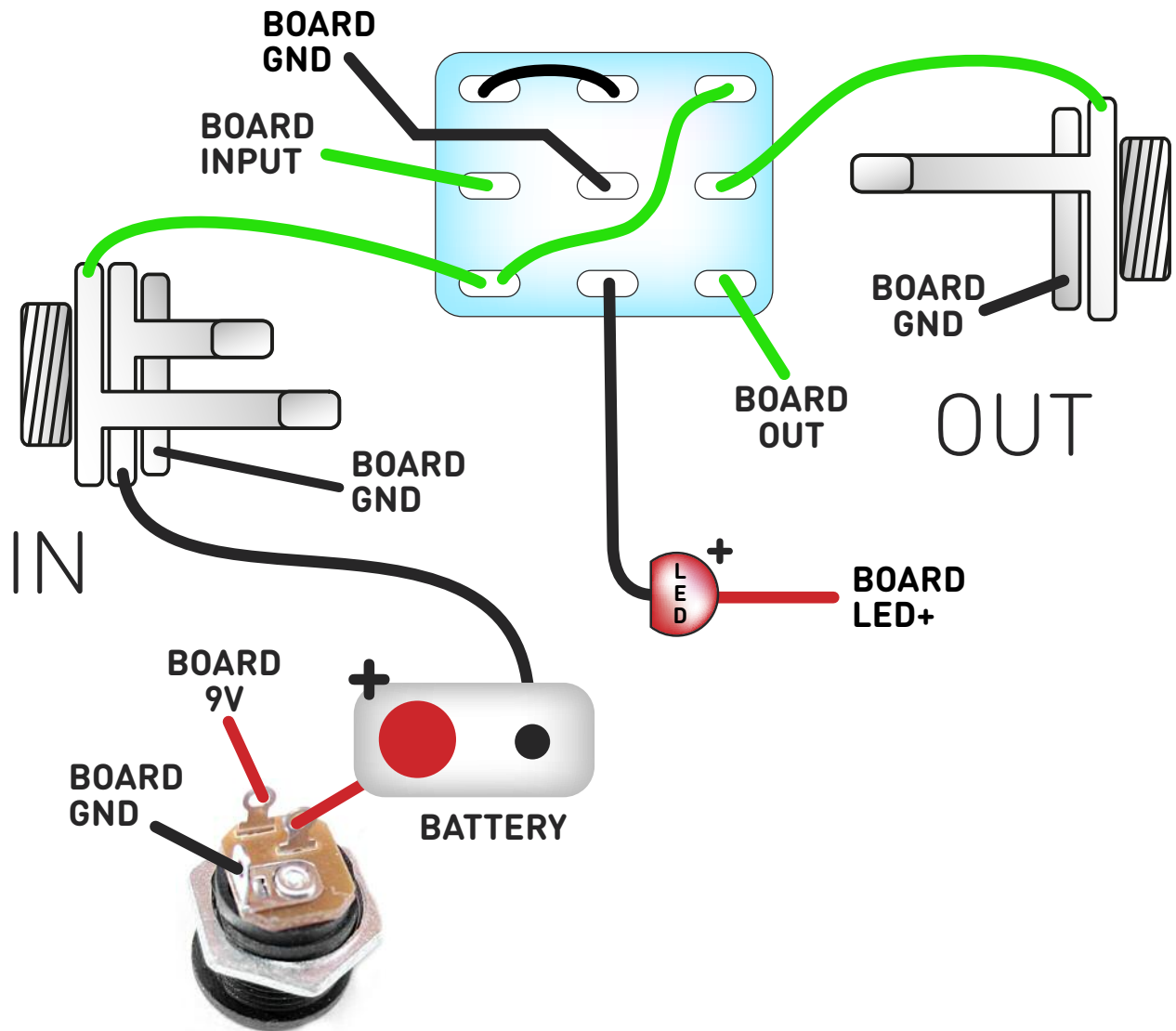


Once you've finished the circuit it makes sense to test it before starting on the switch and LED wiring. It'll cut down troubleshooting time in the long run. If the circuit works at this stage, but it doesn't once you wire up the switch - guess what? You've probably made a mistake with the switch.

Solder some nice, long lengths of wire to the board connections for 9V, GND, IN, OUT. Connect IN and OUT to the jacks as shown. Connect all the GNDs together (twist them up and add a small amount of solder to tack it). Connect the battery + lead to the 9V wire, same method. Plug in. Go!

If it works, crack on and do your switch wiring. If not... aw man. At least you know the problem is with the circuit. Find out why, get it working, THEN worry about the switch etc.

Wire it up



The Board GND connections don't all have to directly attach to the board. You can run a couple of wires from the DC connector, one to the board, another to the IN jack, then daisy chain that over to the OUT jack.

It doesn't matter how they all connect, as long as they do.

PedalParts.co.uk