

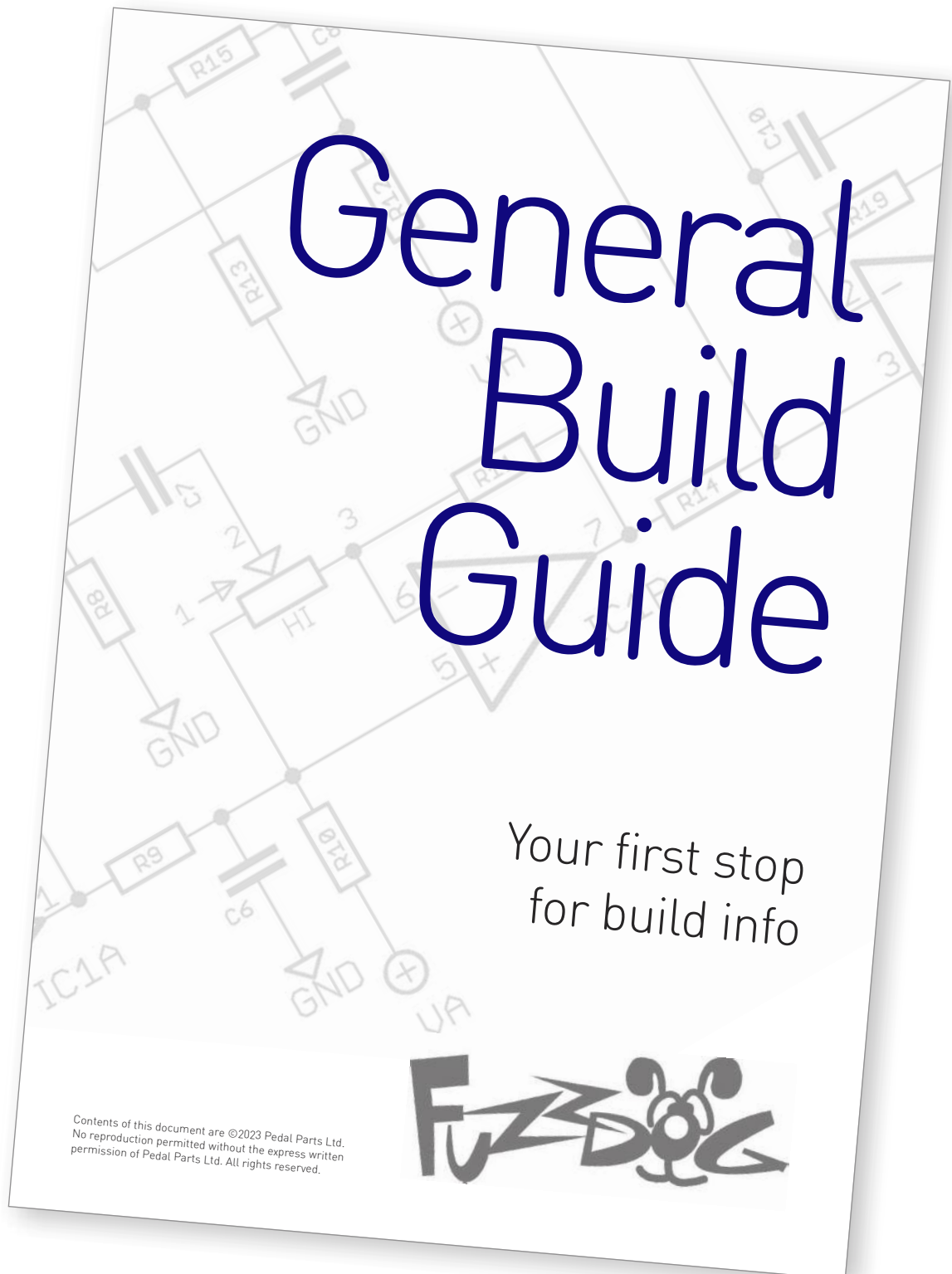
Baa Baa Noir

Bee-Baa based box of badass

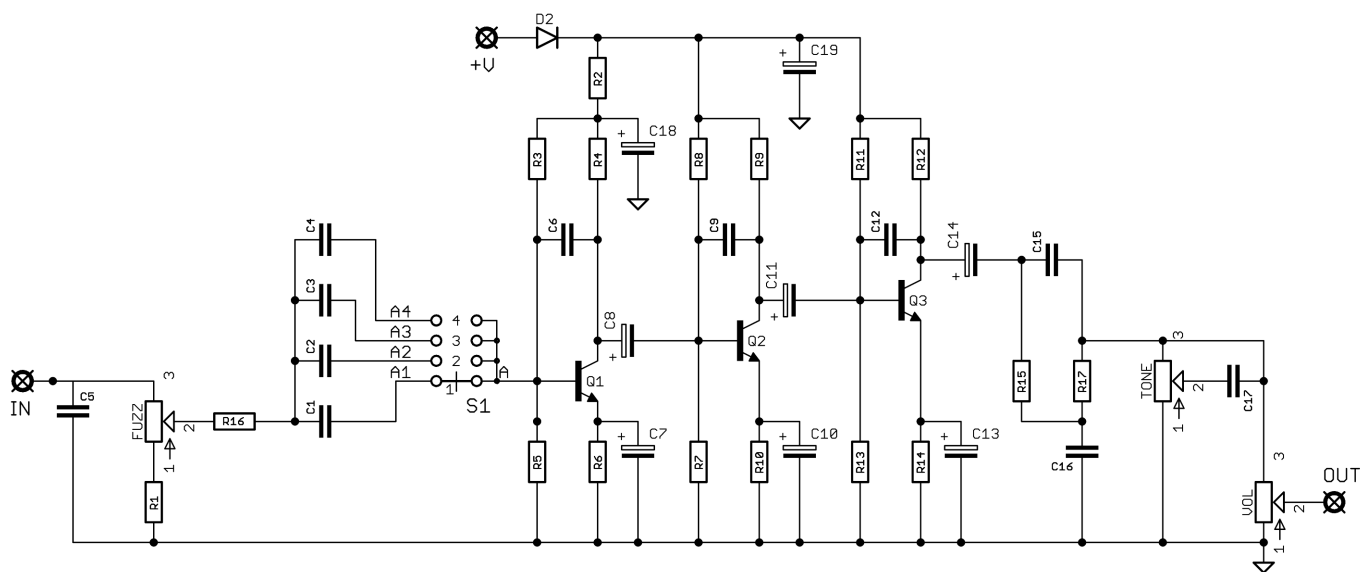


Before you dig in, ensure you download and read the **General Build Guide**.

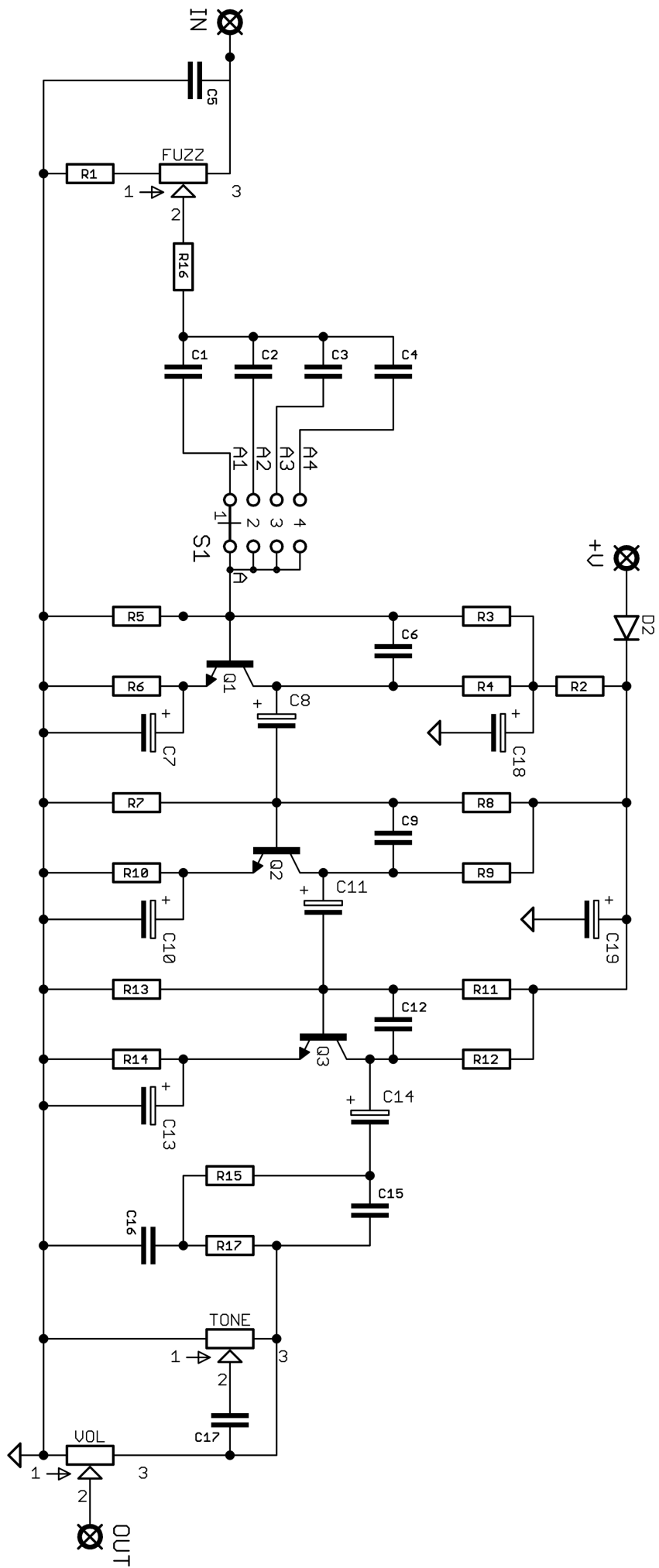
It contains all the information you need for a successful outcome.

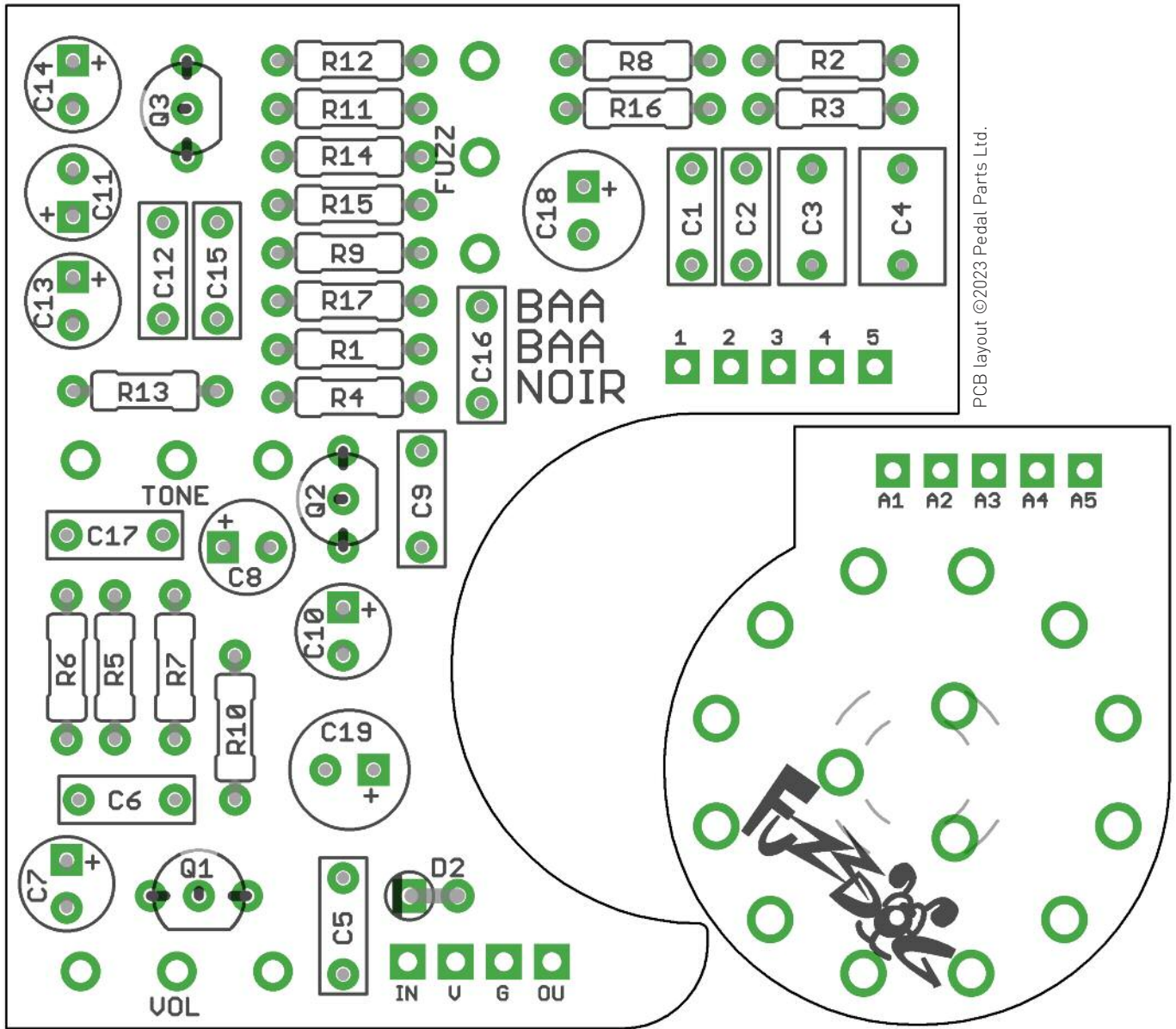


Schematic + BOM



R1	1K	C1	4n7	D2	1N5817
R2	1K	C2	47n	Q1-3	2N5089
R3	100K	C3	470n	FUZZ	100KA
R4	10K	C4	1u	TONE	100KA
R5	18K	C5	470p	VOL	100KA
R6	1K8	C6	330p	SW1	ROTARY 3P4T
R7	15K	C7	10u elec		
R8	100K	C8	1u elec		
R9	10K	C9	1n		
R10	1K5	C10	10u elec		
R11	100K	C11	1u elec		
R12	10K	C12	10n		
R13	15K	C13	10u elec		
R14	1K5	C14	1u elec		
R15	47K	C15	2n7		
R16	1K	C16	10n		
R17	22K	C17	22n		
		C18	47u elec		
		C19	100u elec		





As you can see on the cover image, the rotary switch is mounted on a separate daughterboard. This has been designed to mount with standard header pins (5-way).

With the pins fully inserted so only the plastic spacer is separating the two PCBs, the rotary switch will sit at exactly the same height as the pots, ensuring a nice fit into the enclosure.

If you want to play around with the layout you could always wire the switch daughterboard rather than mount it with headers.



Drilling template

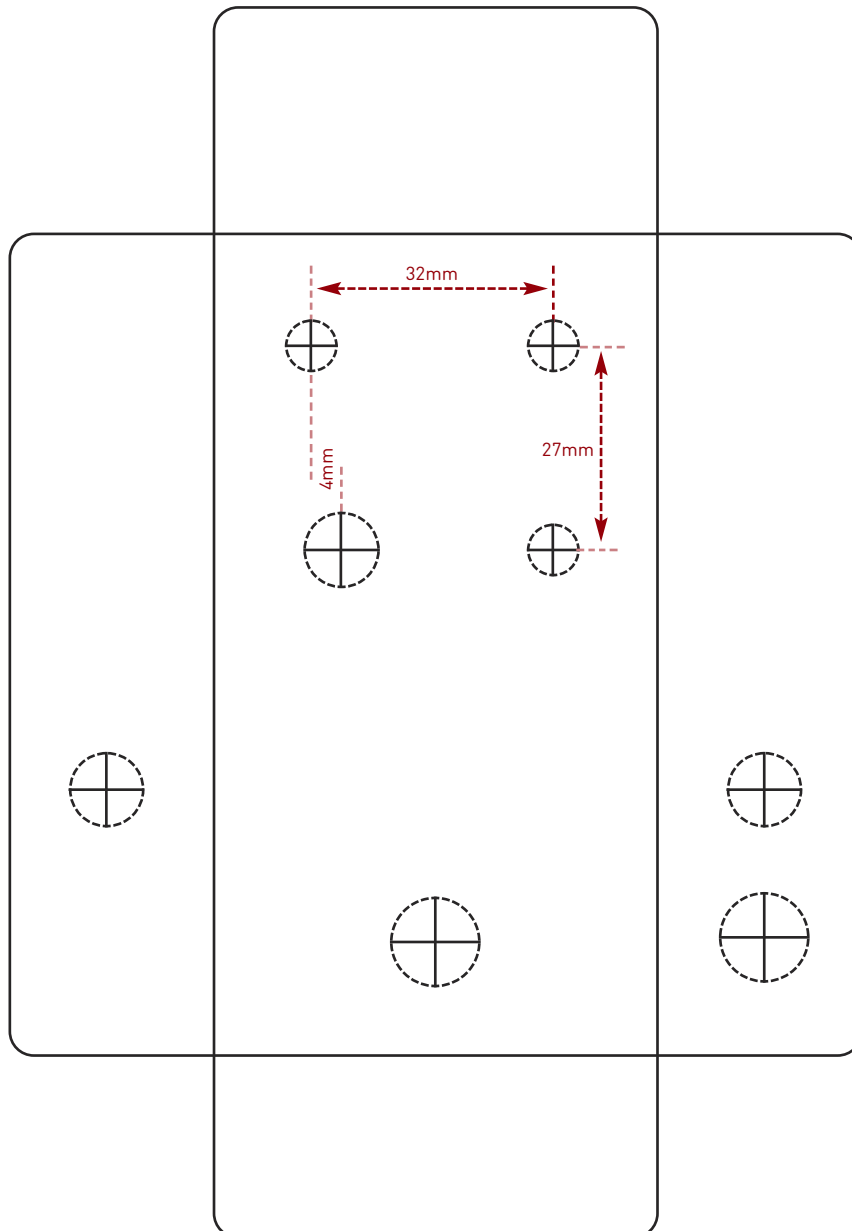
Hammond 1590B - 60 x 111 x 31mm

Drill sizes listed are minimum.

It's a good idea to add 1mm to anything mounted on the PCB that'll poke through the front of the enclosure.

Drill sizes:

Pots	7mm
Jacks	10mm
Footswitch	12mm
DC Socket	12mm
Toggle switches	6mm
Rotary switches	10mm



This template is a rough guide only. You should ensure correct marking of your enclosure before drilling. You use this template at your own risk.

Pedal Parts Ltd can accept no responsibility for incorrect drilling of enclosures.

FuzzDog.co.uk