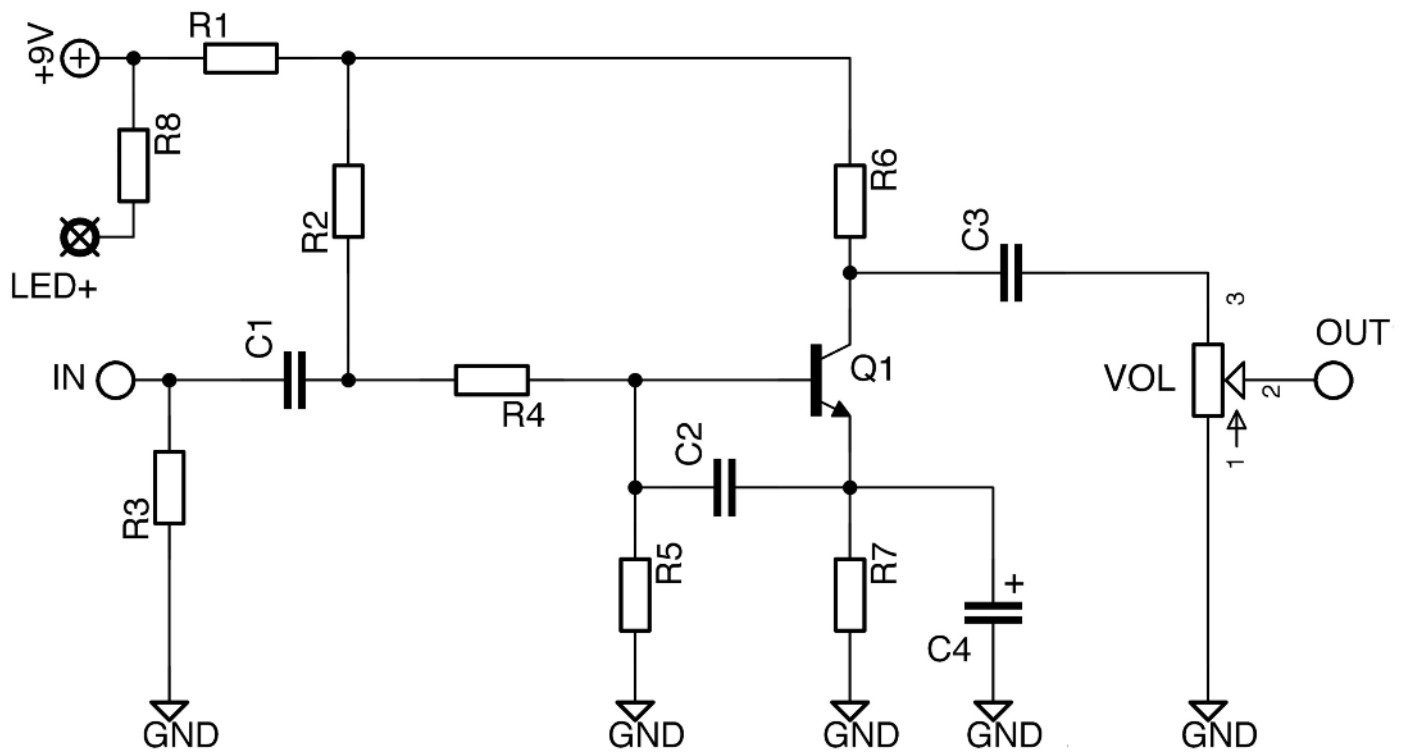


Brian May Treble Boost

High-frequency goodness

PedalParts.co.uk

Schematic

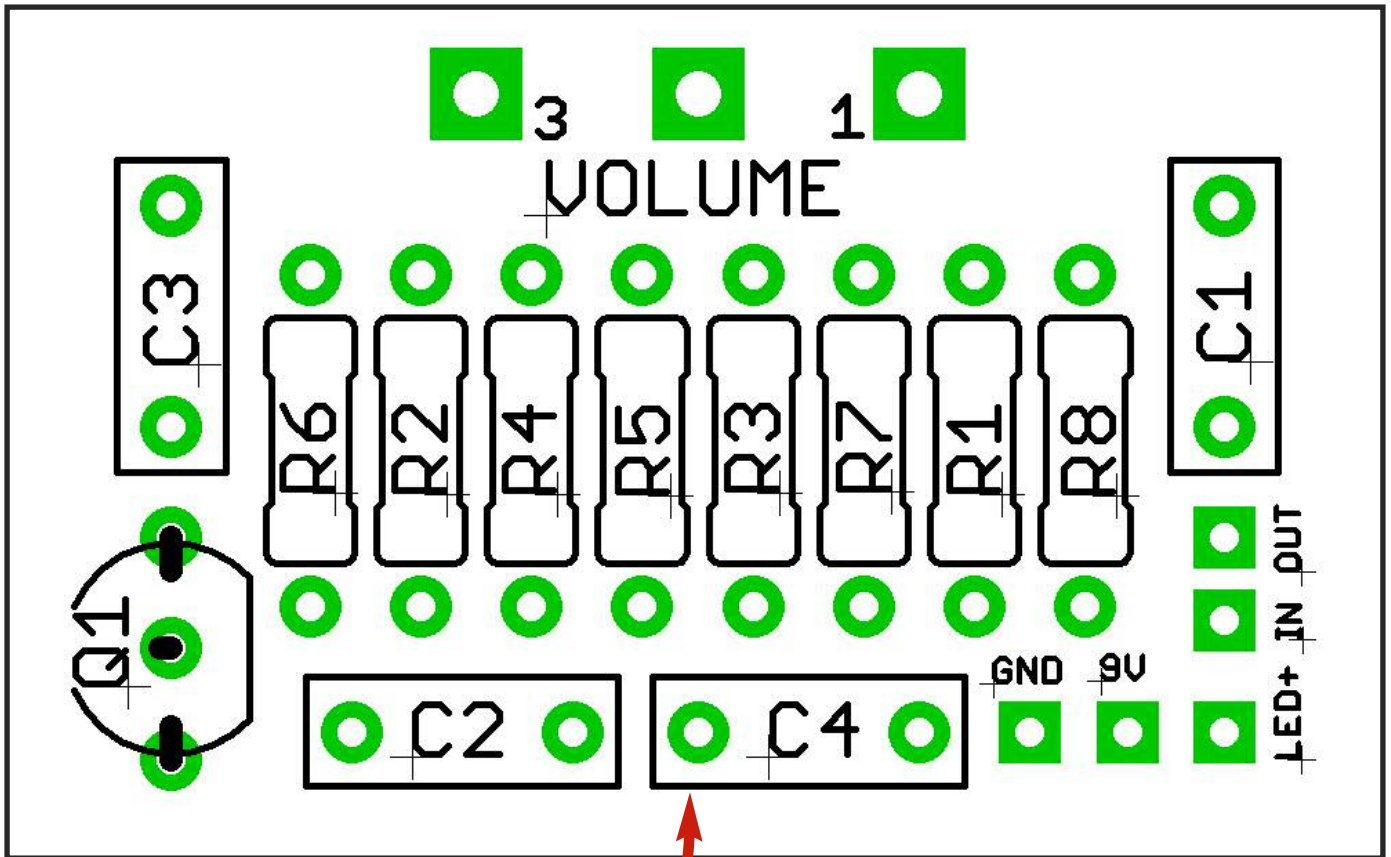


BOM

R1	100R	C1	4.7n
R2	100K	C2	1n
R3	120K	C3	47n
R4	1K	C4	47u
R5	22K	Q1	2N5088
R6	6K8	VOL	100KA
R7	2K4		
R8	2K2		

What does it do? Really??

It boosts your treble. And perms your hair.



NOTE: + leg of C4 goes here - apologies, I didn't mark it.

Wiring shown overleaf will disconnect the battery when you remove the jack plug from the input, and also when a DC plug is inserted.

Snap the little metal tag off the pot to mount it flush in the box.

You **MUST** use some kind of heat sink on the legs of the transistors when soldering. They aren't keen on heat. Any more than 3-4 seconds of iron and they're toast.

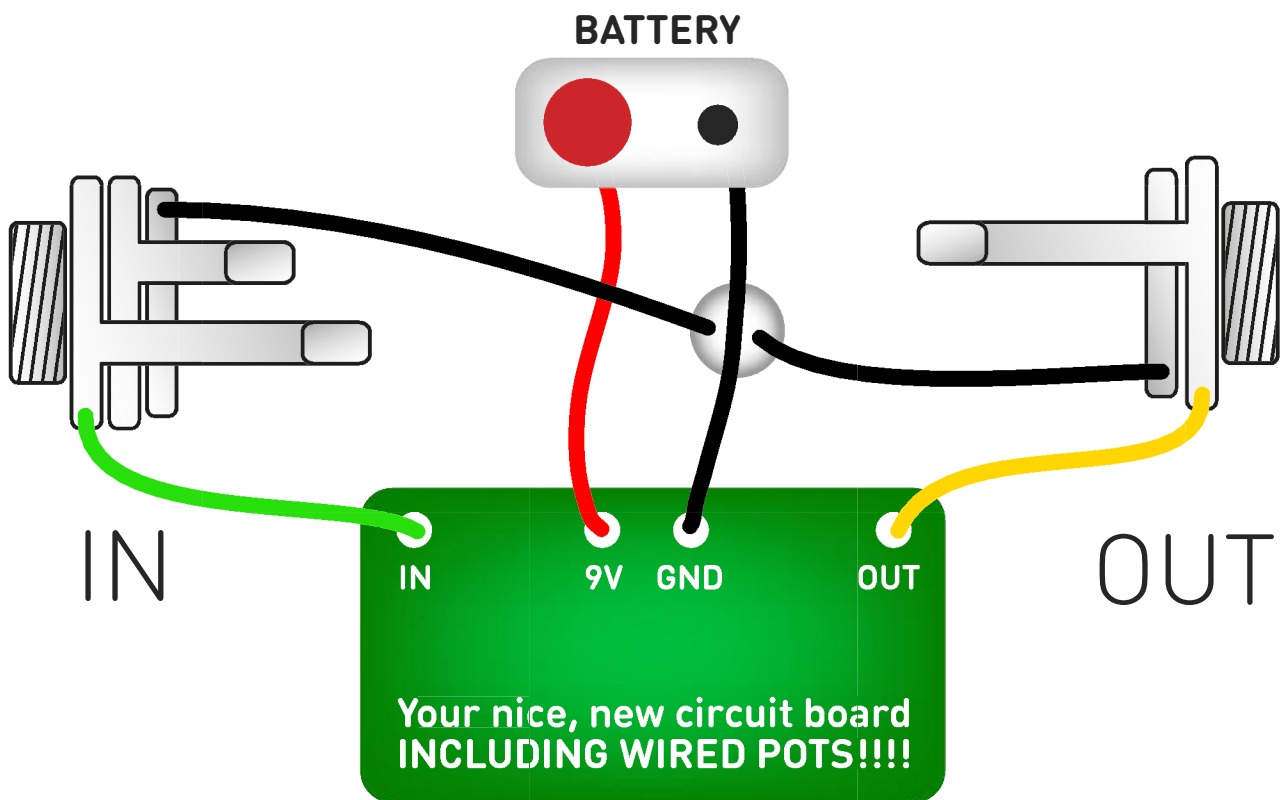


Recommended assembly order:

Resistors, Caps, Transistors, Wires, Pots

I've incorporated the Current Limiting Resistor for the LED into the board for your pleasure.

Test the board!

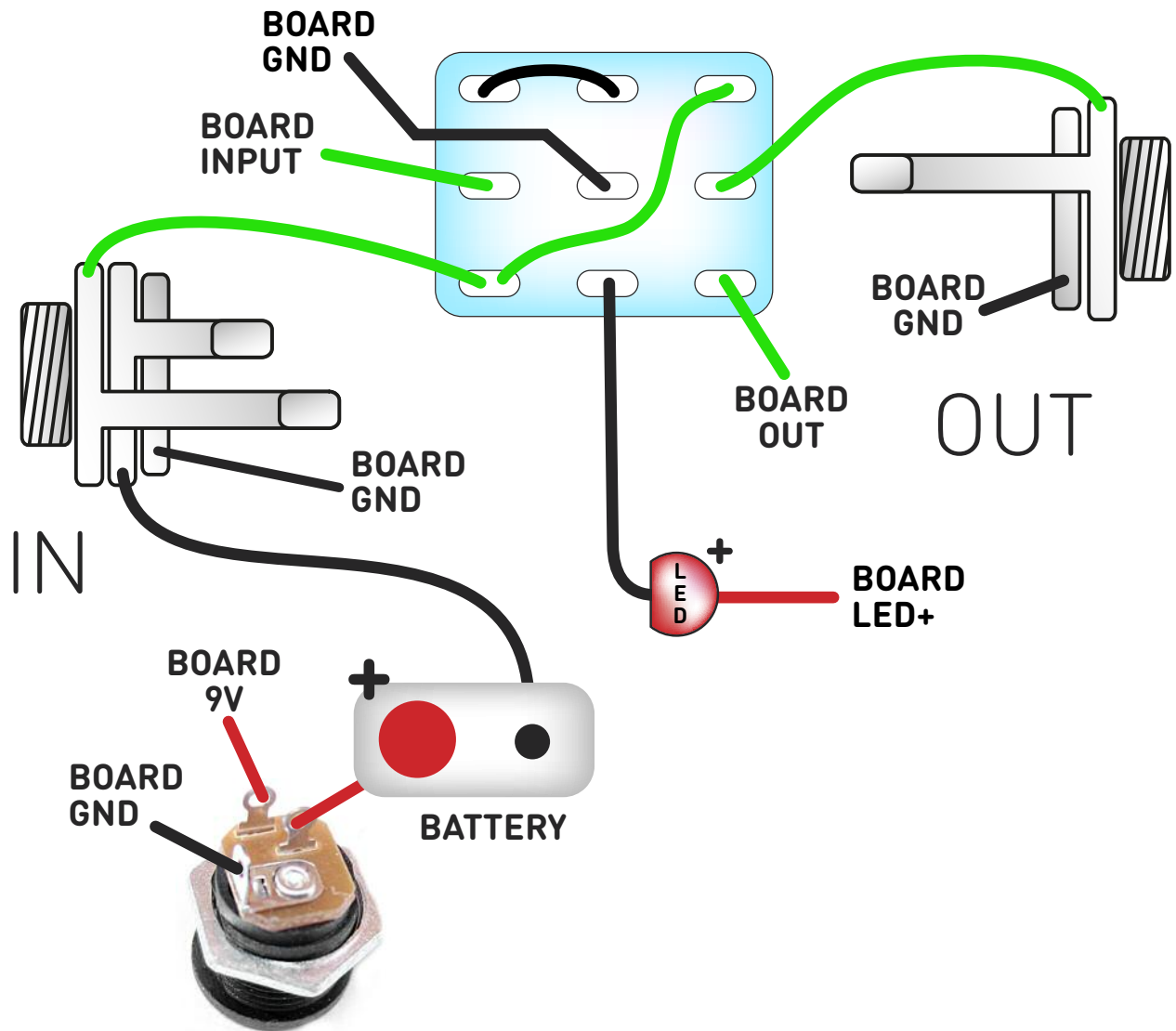


Once you've finished the circuit it makes sense to test it before starting on the switch and LED wiring. It'll cut down troubleshooting time in the long run. If the circuit works at this stage, but it doesn't once you wire up the switch - guess what? You've probably made a mistake with the switch.

Solder some nice, long lengths of wire to the board connections for 9V, GND, IN and OUT. Connect IN and OUT to the jacks as shown. Connect all the GNDs together (twist them up and add a small amount of solder to tack it). Connect the battery + lead to the 9V wire, same method. Plug in. Go!

If it works, crack on and do your switch wiring. If not... aw man. At least you know the problem is with the circuit. Find out why, get it working, THEN worry about the switch etc.

Wire it up



The Board GND connections don't all have to directly attach to the board. You can run a couple of wires from the DC connector, one to the board, another to the IN jack, then daisy chain that over to the OUT jack. It doesn't matter how they all connect, as long as they do.

This circuit is standard, Negative GND. Your power supply should be Tip Negative / Sleeve Positive. That's the same as your standard pedals (Boss etc), and you can safely daisy-chain your supply to this pedal. Now... GO GET TREBLEY!

PedalParts.co.uk