

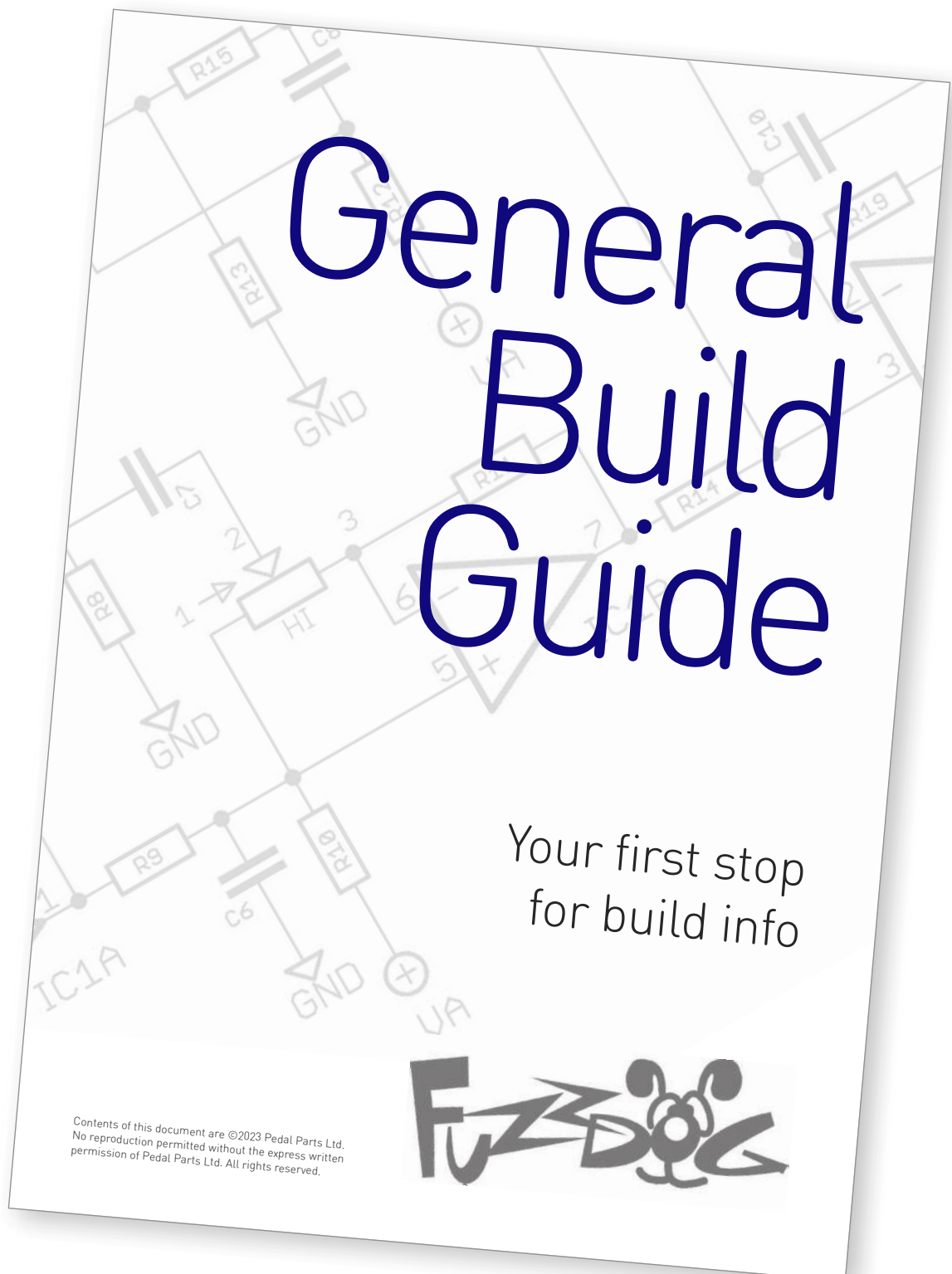
BMP2 (Production)

Big-ass box of IC-Muff
with modern tweaks

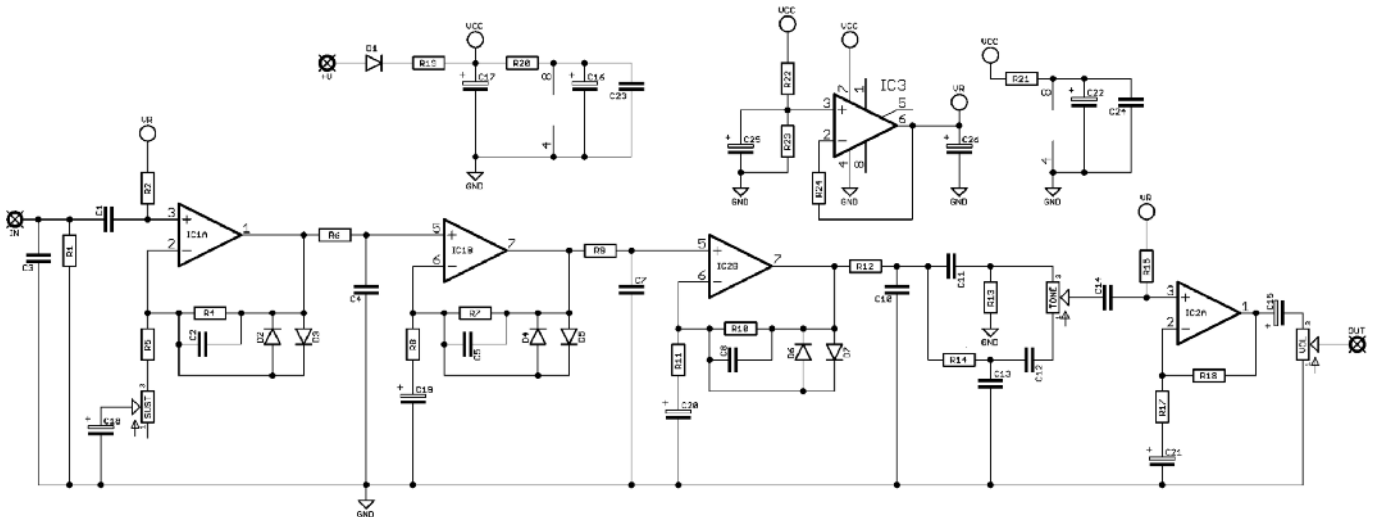


Before you dig in, ensure you download and read the **General Build Guide**.

It contains all the information you need for a successful outcome.



Schematic + BOM

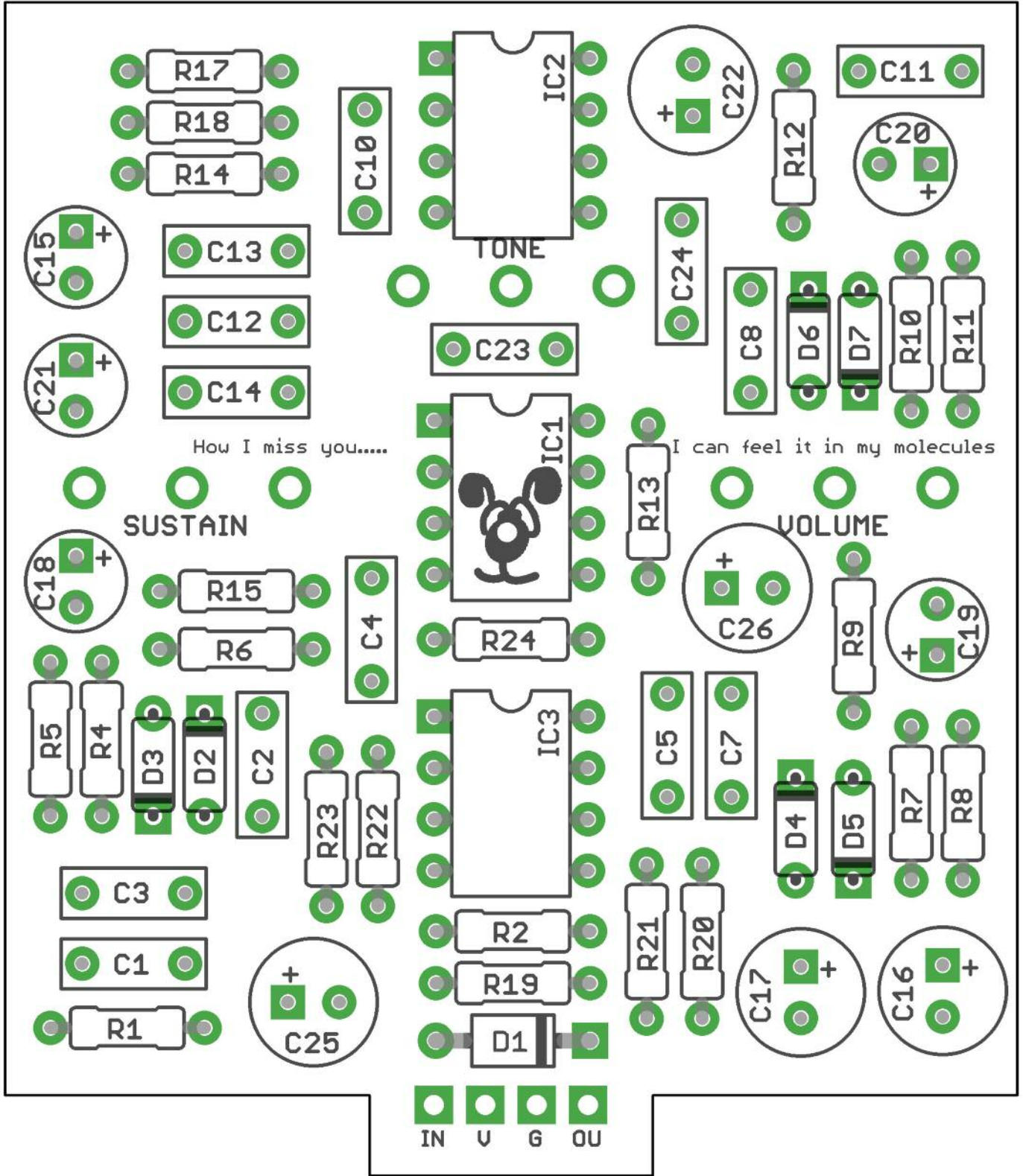


R1	1M	C1	100n	D1	1N5817
R2	130K	C2	470p	D2-7	1N4148
R4	470K	C3	47p	IC1-2	4888
R5	4K7	C4	4n7	IC3	TL071
R6	4K7	C5	470p	SUS	100KB
R7	470K	C7	4n7	TONE	100KB
R8	47K	C8	470p	VOL	10KB
R9	4K7	C10	4n7		
R10	470K	C11	3n3		
R11	47K	C12	100n		
R12	4K7	C13	10n		
R13	27K	C14	100n		
R14	27K	C15	10u elec		
R15	240K	C16	100u elec		
R17	10K	C17	100u elec		
R18	10K	C18	4u7 elec		
R19	10R	C19	4u7 elec		
R20	100R	C20	4u7 elec		
R21	100R	C21	47u elec		
R22	100K	C22	100u elec		
R23	100K	C23	100n		
R24	51R	C24	100n		
		C25	47u elec		
		C26	47u elec		

The altered biasing on the ICs compared to the 'back of a flyer' version of the circuit do improve things. A bit. This is still a wild and crazy beast with quirky, sometimes noisy behaviour, and the tone control is still pretty weird.

It's worth sticking with. The sweet spots are indeed very sweet.

All hail Robert @ PedalPCB.



Snap the small metal tags off the pots so they can be mounted flush in the box.

You should solder all other board-mounted components before you solder the pots.

Once they're in place you'll have no access to much of the board.

Drilling template

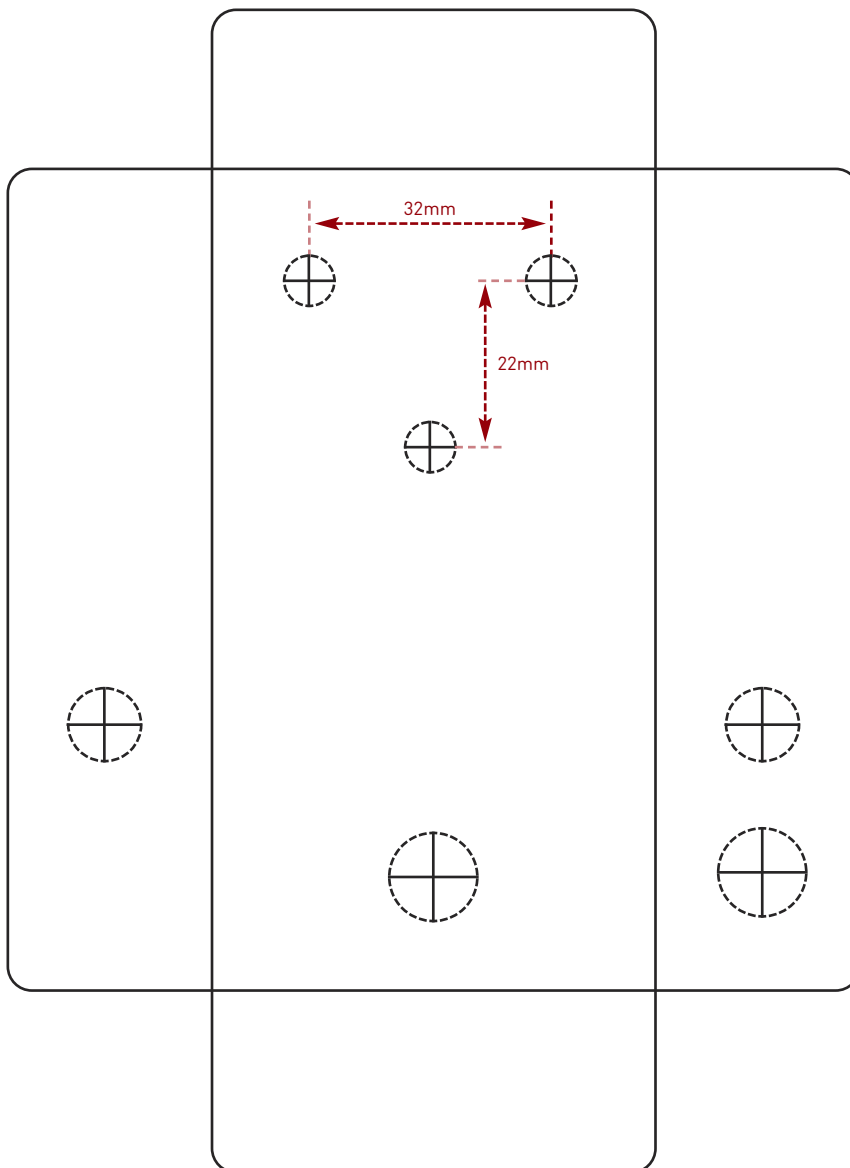
Hammond 1590B - 60 x 111 x 31mm

Drill sizes listed are minimum.

It's a good idea to add 1mm to anything mounted on the PCB that'll poke through the front of the enclosure.

Drill sizes:

Pots	7mm
Jacks	10mm
Footswitch	12mm
DC Socket	12mm
Toggle switches	6mm
Rotary switches	10mm



This template is a rough guide only. You should ensure correct marking of your enclosure before drilling. You use this template at your own risk.

Pedal Parts Ltd can accept no responsibility for incorrect drilling of enclosures.

FuzzDog.co.uk