

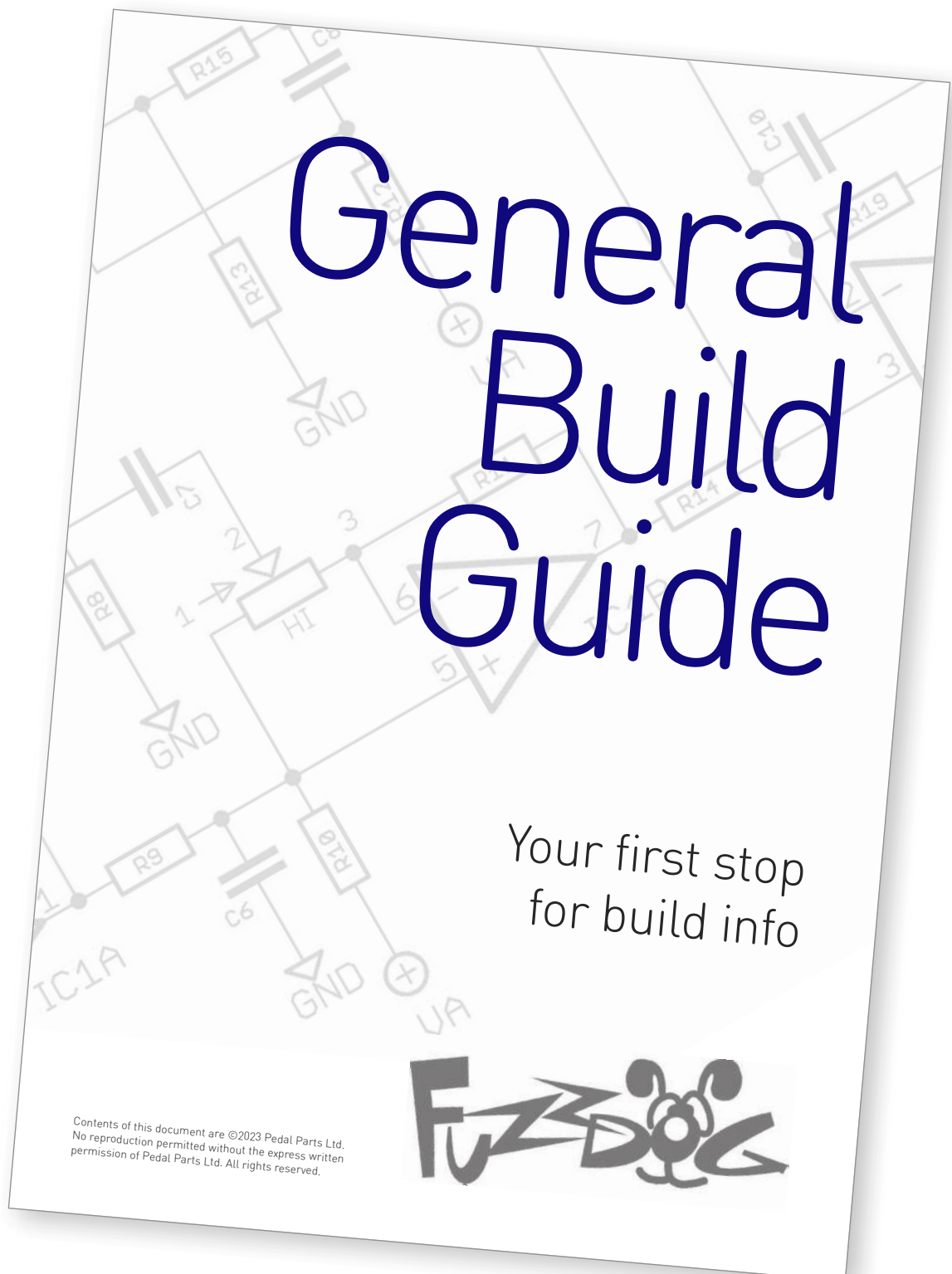
109 Fuzz

Fuzz Face-based fuzz
with so much more

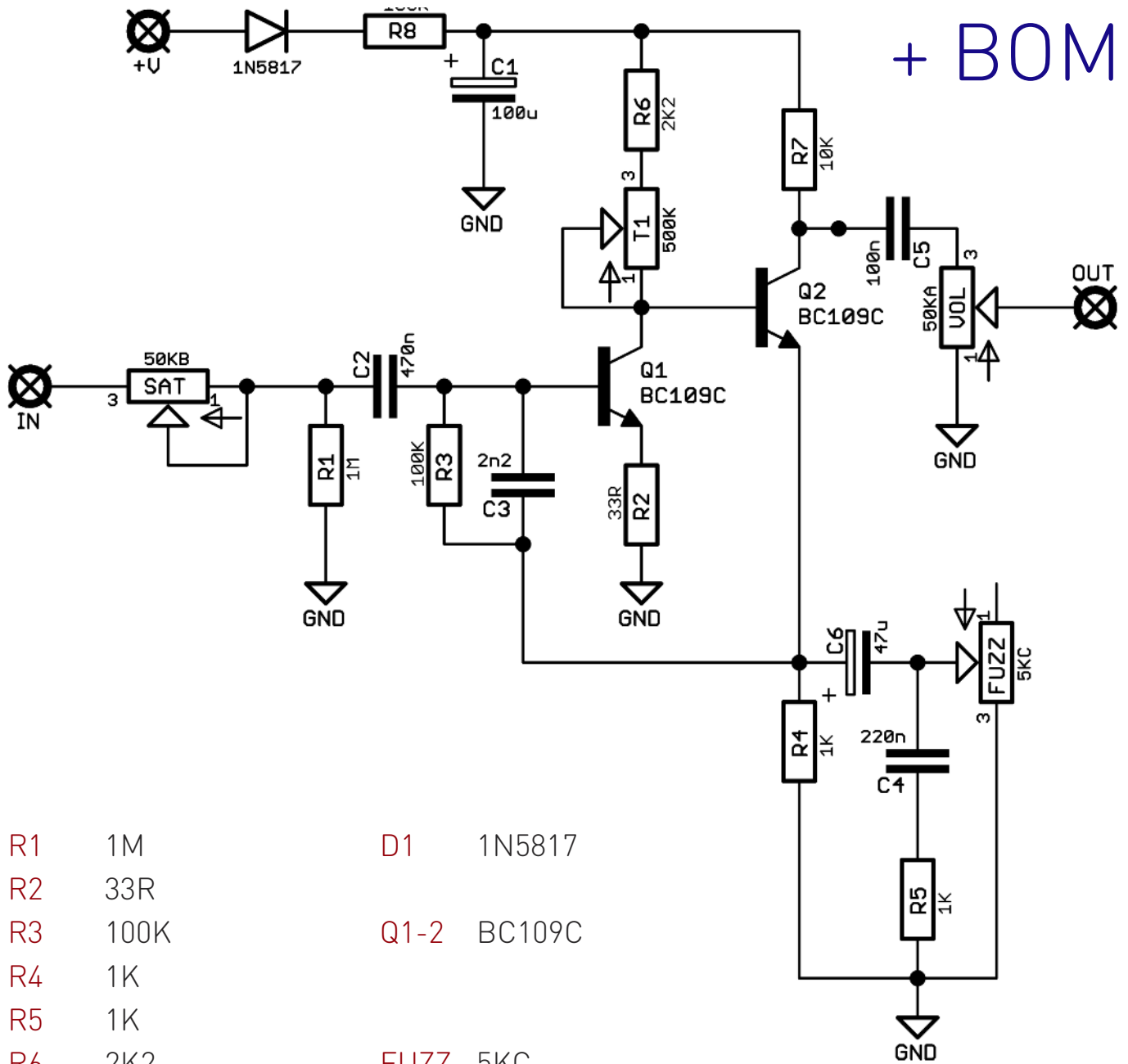


Before you dig in, ensure you download and read the **General Build Guide**.

It contains all the information you need for a successful outcome.



Schematic + BOM

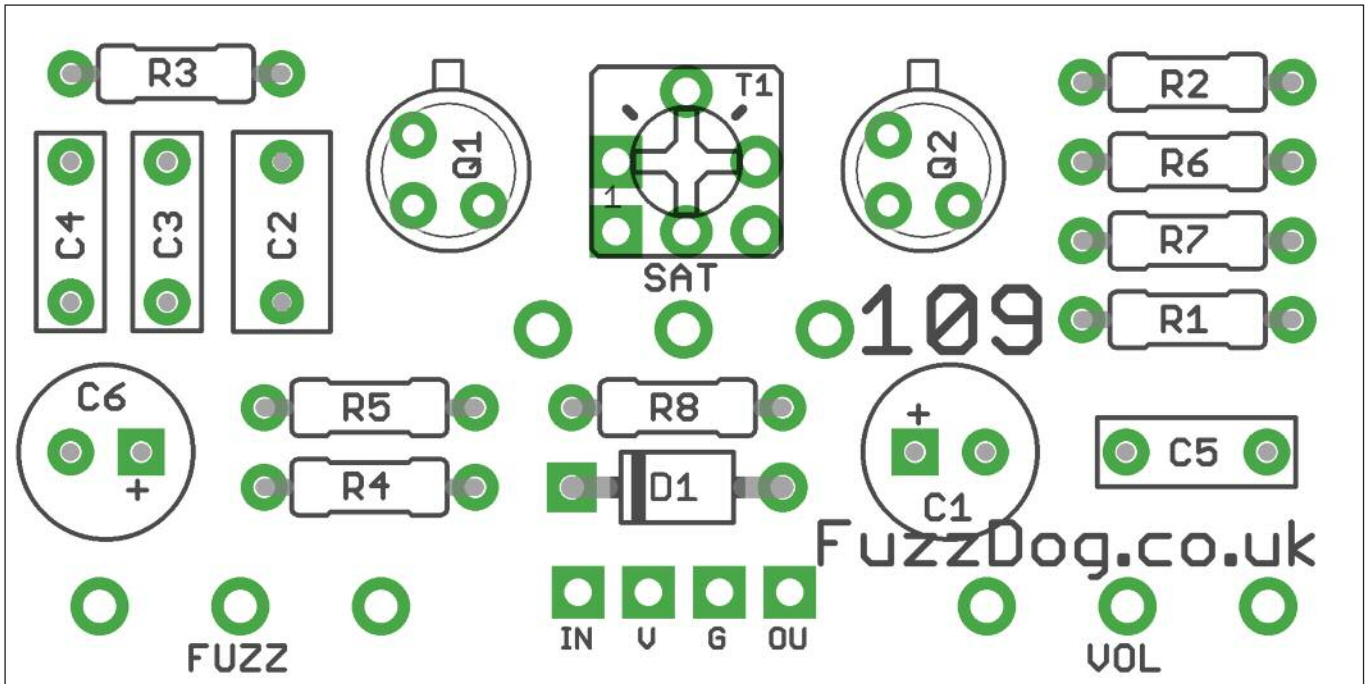


R1 1M
R2 33R
R3 100K
R4 1K
R5 1K
R6 2K2
R7 10K
R8 100R

D1 1N5817
Q1-2 BC109C
FUZZ 5KC
SAT 50KB
VOL 50KA

C1 100u elec
C2 470n
C3 2n2
C4 220n
C5 100n
C6 47u elec

T1 470-500K Trimmer



Snap the small metal tag off the pots so they can be mounted flush in the box.

You should solder all other board-mounted components before you solder the pots.

Once they're in place you'll have no access to much of the board.

BIASING

This is another circuit where you don't want to get too hung up on the numbers. Sure, you can break out the meter and adjust the trimmer to get a typical silicon Fuzz Face voltage on Q1 collector (1.2V-ish), but you'll be a lot happier adjusting by ear until you get sweet fuzz at both ends of the Saturation sweep.

Drilling template

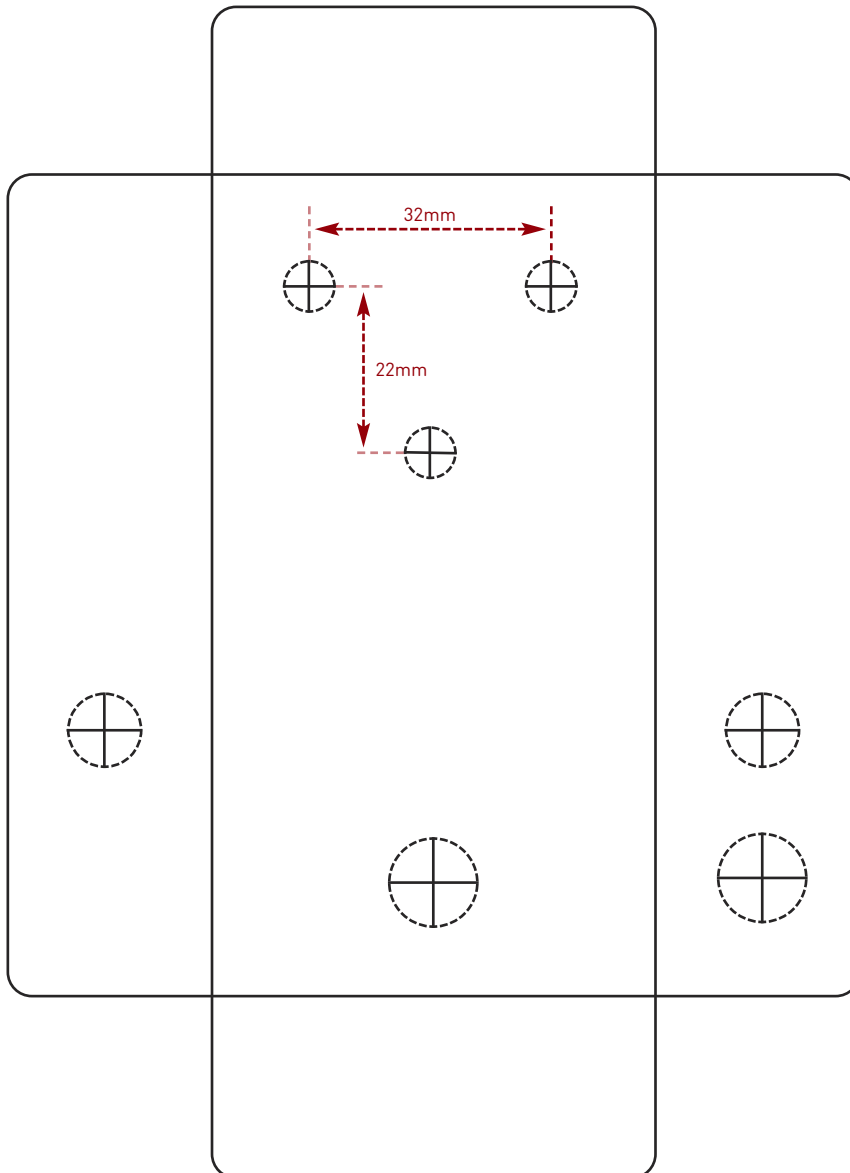
Hammond 1590B - 60 x 111 x 31mm

Drill sizes listed are minimum.

It's a good idea to add 1mm to anything mounted on the PCB that'll poke through the front of the enclosure.

Drill sizes:

Pots	7mm
Jacks	10mm
Footswitch	12mm
DC Socket	12mm
Toggle switches	6mm
Rotary switches	10mm



This template is a rough guide only. You should ensure correct marking of your enclosure before drilling. You use this template at your own risk.

Pedal Parts Ltd can accept no responsibility for incorrect drilling of enclosures.

FuzzDog.co.uk